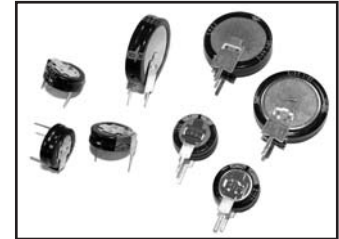


FEATURES

- DOUBLE LAYER CAPACITOR
- THIN PROFILE PACKAGE
- SUITABLE FOR FLOW SOLDERING
- LEAD-FREE FINISH

**RoHS
Compliant**
includes all homogeneous materials



CHARACTERISTICS

Rated Voltage Range	5.5VDC	
Rated Capacitance Range	0.047F ~ 1.5F (47,000 μ F ~ 1,500,000 μ F)	
Operating Temp. Range	-25°C ~ +70°C	
Capacitance Tolerance	+80%/-20% (Z)	
Load Life Test @ 70°C 1,000 hours	Δ Capacitance Change	Less than \pm 30% of initial measured value
	Maximum ESR	Less than 400% of the specified maximum value
Temperature Characteristics -25°C & +70°C	Δ Capacitance Change	Within +30% of 20°C value
	Maximum ESR	Less than 5x 20°C value
Shelf Life @ +70°C (1,000 hours)	Δ Capacitance Change	Less than \pm 30% of initial measured value
	Maximum ESR	Less than 400% of the specified maximum value

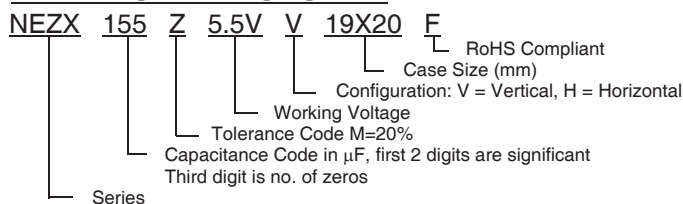
**Super Capacitor
Application Guide**

STANDARD VALUES AND SPECIFICATIONS

NIC P/N	Case Size (mm)	Capacitance (F)	Holding Voltage VDC min.)*	Max. Leakage Current @ minutes (μ A)	Maximum ESR @ 1KHz (Ω)
NEZX473Z5.5VV11.5X13F	11.5x13.0	0.047	4.0	69 @ 30 minutes	120
NEZX473Z5.5VH11.5X5F	11.5x5.0				
NEZX104Z5.5VV11.5X13F	11.5x13.0	0.1	4.0	100 @ 30 minutes	75
NEZX104Z5.5VH11.5X5F	11.5x5.0				
NEZX224Z5.5VV11.5X13F	11.5x13.0	0.22	4.0	135 @ 30 minutes	75
NEZX224Z5.5VH11.5X5F	11.5x5.0				
NEZX334Z5.5VV11.5X13F	11.5x13.0	0.33	4.0	182 @ 30 minutes	75
NEZX334Z5.5VH11.5X5F	11.5x5.0				
NEZX105Z5.5VV19X20.5F	19.0x20.5	1.0	4.0	315 @ 30 minutes	30
NEZX155Z5.5VV19X20.5F	19.0x20.5	1.5	4.0	450 @ 60 minutes	30

*Minimum voltage at 24 hours after charging for 1 hour at 5VDC.

PART NUMBER SYSTEM



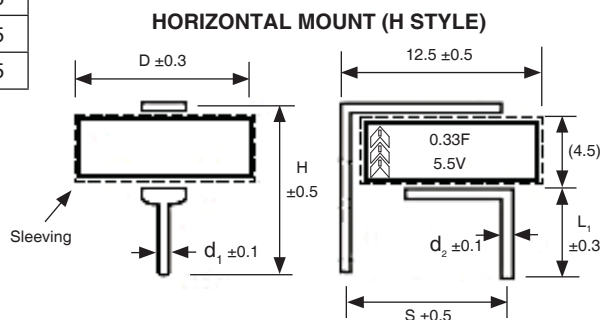
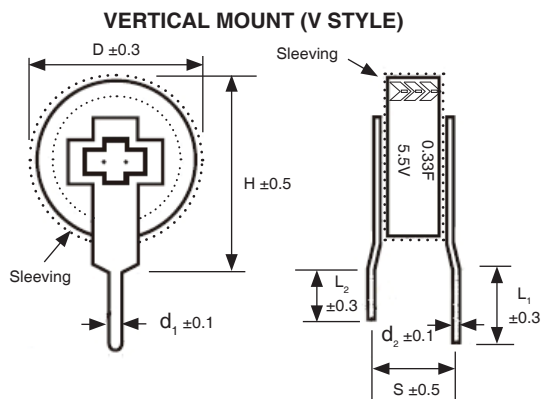
PRECAUTIONS

WASHING is NOT RECOMMENDED. Additional guidelines and precautions can be found at www.niccomp.com/precautions
If in doubt or uncertainty, please review your specific application - process details with NIC's technical support personnel: tpmg@niccomp.com

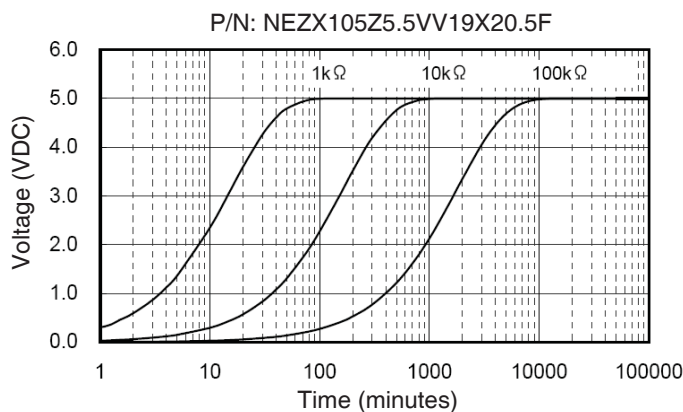
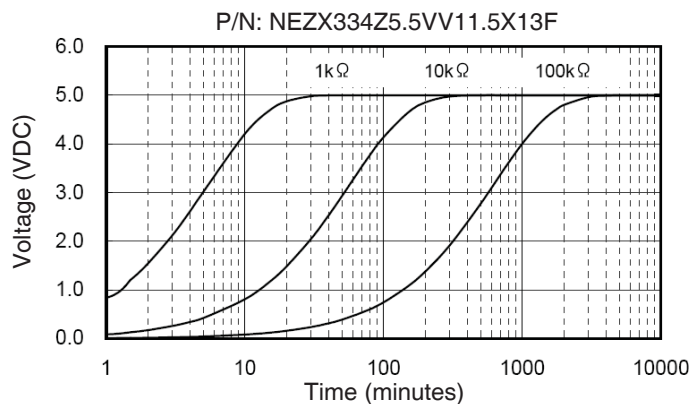


CASE DIMENSIONS (mm)

NIC P/N	DIMENSIONS (mm)						
	D	H	S	L ₁	L ₂	d ₁ nom.	d ₂ nom.
NEZX473Z5.5VV11.5X13F	11.5	13.0	5.0	5.0	4.0	0.8	0.15
NEZX473Z5.5VH11.5X5F	11.5	5.0	10.0	5.0	n/a	0.8	0.15
NEZX104Z5.5VV11.5X13F	11.5	13.0	5.0	5.0	4.0	0.8	0.15
NEZX104Z5.5VH11.5X5F	11.5	5.0	10.0	5.0	n/a	0.8	0.15
NEZX224Z5.5VV11.5X13F	11.5	13.0	5.0	5.0	4.0	0.8	0.15
NEZX224Z5.5VH11.5X5F	11.5	5.0	10.0	5.0	n/a	0.8	0.15
NEZX334Z5.5VV11.5X13F	11.5	13.0	5.0	5.0	4.0	0.8	0.15
NEZX334Z5.5VH11.5X5F	11.5	5.0	10.0	5.0	n/a	0.8	0.15
NEZX105Z5.5VV19X20.5F	19.0	20.5	5.0	5.0	4.0	1.0	0.15
NEZX155Z5.5VV19X20.5F	19.0	20.5	5.0	5.0	4.0	1.0	0.15



NEZX CHARGE CHARACTERISTICS



NEZX DISCHARGE CHARACTERISTICS

