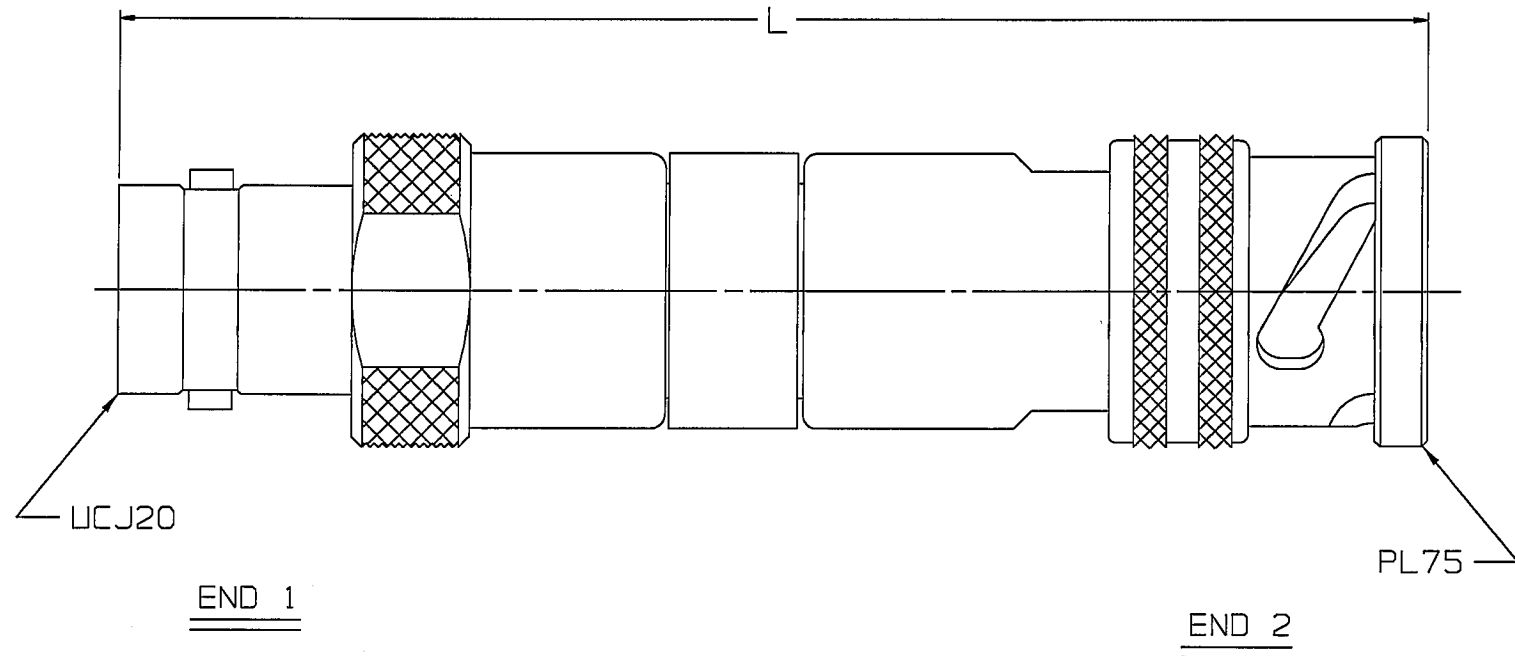
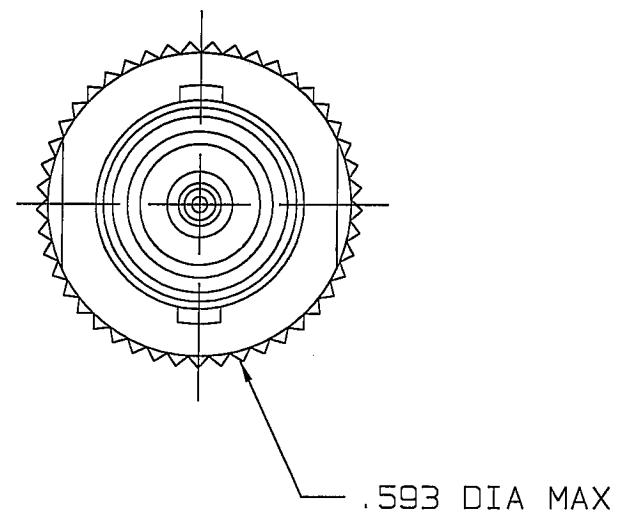


DASH NO	IM MODEL #	END 1 CONN	END 2 CONN	"L" DIM +/- .030	FREQUENCY RANGE MHZ
-1	IM20F75AC70M	UCJ20	PL75	2.366	.075-500
-2	IM20M75AC70F	UPL20	CJ70	2.479	
-3	IM20F75AA70M	UCJ20	PL75	2.366	.02-100
-4	IM20M75AA70F	UPL20	CJ70	2.479	
-5	IM20F50AA20M	CJ20	UPL20	2.162	
-6	IM20M50AA20F	PL20	UCJ20	2.162	.075-500
-7	IM20F50AC70M	CJ20	PL75	2.366	
-8	IM20F50AA20F	CJ20	UCJ20	2.227	
-9	IM20F50CA70M	CJ20	PL75	2.227	.07-200

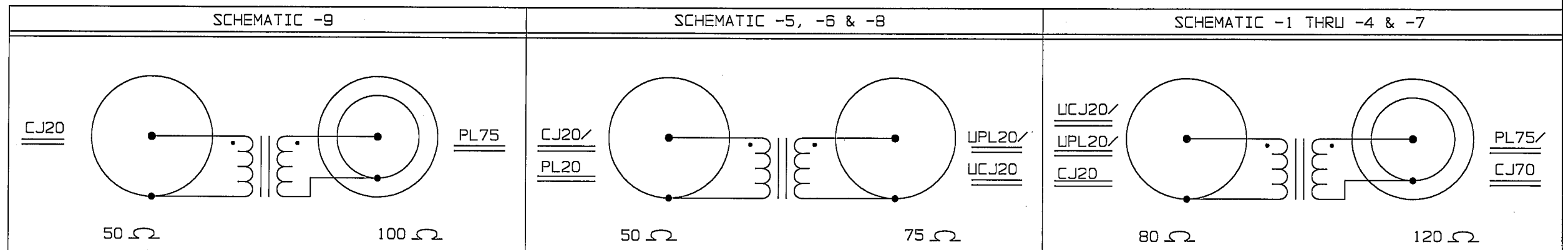
DATA CONTAINED IN THIS DOCUMENT IS PROPRIETARY TO TROMPETER ELECTRONICS INC. AND SHALL NOT BE DISCLOSED, COPIED OR USED FOR PROCUREMENT OR MANUFACTURE WITHOUT EXPRESS WRITTEN PERMISSION OF TROMPETER ELECTRONICS INC.

REVISIONS		105-1816	SH 1
REV	DESCRIPTION	DATE	APPROVED
F	REVISED PER ECO 15932	9/14/05	JM

RED INDICATES ORIGINAL



-1 SHOWN



2. FINISH: TFS-1A (NICKEL)
1. ALL DIMENSIONS ARE IN INCHES

INTERPRET DRAWING PER MIL-STD-100 DIMENSIONS ARE IN INCHES AND INCLUDE FINISH THICKNESS UNLESS OTHERWISE SPECIFIED

TOL: UNLESS SPECIFIED
 .XX
 .XXX ±.005
 .XXXX
 ANGLES

DATE: 9-7-05

DRAWN: AAH

CHECKED: T.M.

QUALITY:

MANUF:

APPROVED: JM 9/13/05

CAD FILE NO: 105-1816F



TITLE: IMPEDANCE MATCHING ADAPTER

SIZE	CAGE CODE	DRAWING NO.	REV.
B	14949	105-1816	F
SCALE	3/1	DATE: 10-17-97	SHEET 1C

NEXT ASSY

DO NOT SCALE DWG