



HDMR-19-01-S-SM-PF



HDMR-19-02-S-SM



HDMR-29-01-S-SM

**HDMR SERIES**

# HIGH SPEED I/O RECEPTACLES

**SPECIFICATIONS**

For complete specifications and recommended PCB layouts see [www.samtec.com?HDMR](http://www.samtec.com?HDMR)

**Insulator Material:**

High Temperature Thermoplastic

**Contact Material:**

Copper Alloy

**Shell Material:**

Steel

**Operating Temp Range:**

-25°C to +85°C

**Plating:**

Gold on Contacts, Nickel on Shell and Tin on Tails

**Current Rating:**

1.3 A per pin  
(6 adjacent pins powered)

**Voltage Rating:**

40 VAC

**Contact Resistance:**

30 mΩ

**Minimum Cycles:**

100

**Lead-Free Solderable:**

Yes

**RoHS Compliant:**

Yes

Mates with:  
HPDPI

Meets Digital Display Working Group Single Monitor Interface Specifications

Optional Panel Flange (19 position only)

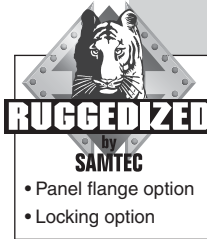
Hot Pluggable

Selectively Plated

19 or 29 Positions

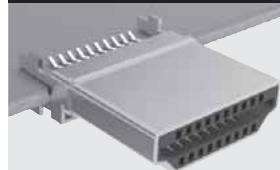
Surface Mount or Through-hole Signal Leads

Through-hole or Surface Mount (19 only) Ground tails



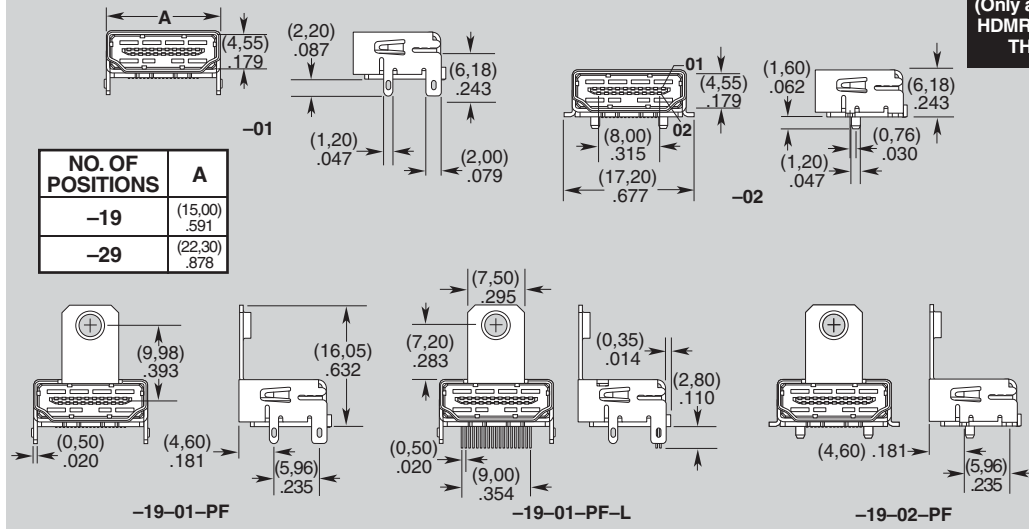
- Panel flange option
- Locking option

**OTHER SOLUTIONS**



HDMP is an Edge Mount plug that mates to HDMR receptacles. Call Samtec for HDMP Series specifications.

HDMR	NO. OF POSITIONS	LEAD STYLE	PLATING	TAIL OPTION	OPTIONS
	<p><b>-19</b> = 19 Positions / Mates with HPXXX 5 Pairs</p> <p><b>-29</b> = 29 Positions / Mates with HPXXX 8 Pairs</p>	<p><b>-01</b> = Through-hole Ground Tails</p> <p><b>-02</b> = Surface Mount Ground Tails (-19 only)</p>	<p><b>-S</b> = 30µ" (0,76 µm) Gold on Mating Area, Tin on Tails</p>	<p><b>-SM</b> = Surface Mount (Signal Leads)</p> <p><b>-TH</b> = Through-hole (Only available on HDMR-19-01-X-TH-PF-L)</p>	<p>(Leave Blank for no Panel Flange)</p> <p><b>-PF</b> = Panel Flange</p> <p><b>-L</b> = Locking Option (Only available on HDMR-19-01-X-TH-PF-L)</p>



NO. OF POSITIONS	A
-19	(15,00) .591
-29	(22,30) .878

**Note:** Some lengths, styles and options are non-standard, non-returnable.

Due to technical progress, all designs, specifications and components are subject to change without notice.

[WWW.SAMTEC.COM](http://WWW.SAMTEC.COM)