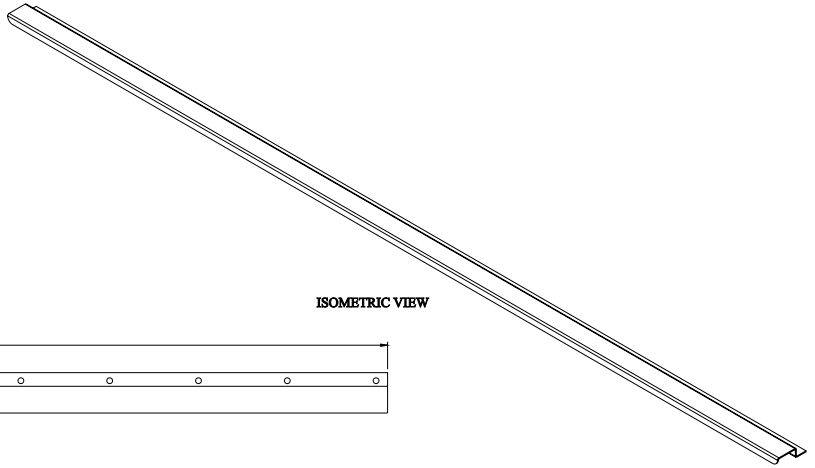
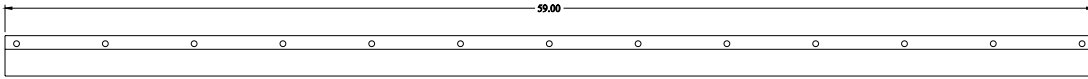




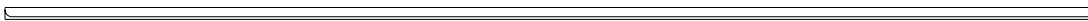
PART No. DK60GY
for more information visit
www.hammondmfg.com
Data subject to change without notice
Isometric drawing Not to Scale



ISOMETRIC VIEW



TOP VIEW



FRONT VIEW



SIDE VIEW