

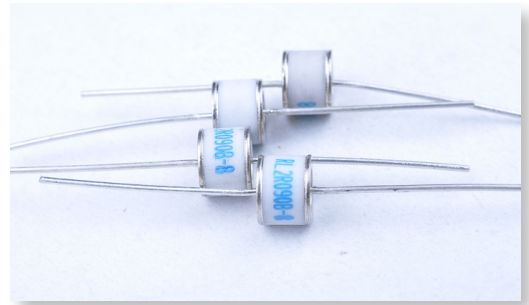


Gas Discharge Tubes

2RB-5 Series

Gas Discharge Tubes - 2RB-5 Series

GDT introduction: Gas discharge tubes (GDT) use noble gasses enclosed in ceramic tubes to provide an alternate circuit path for voltage spikes. The ceramic envelope and with nickel connectors allow for high loads and Ruilon offers products that function at 20KA,40KA,50KA,60KA,100KA&150KA. The breakdown voltages of the devices have a wide range (up to 20% tolerance). Major applications are high frequency telecommunication lines, stations, security systems, HID and high quality Surge Protection Devices (SPD).



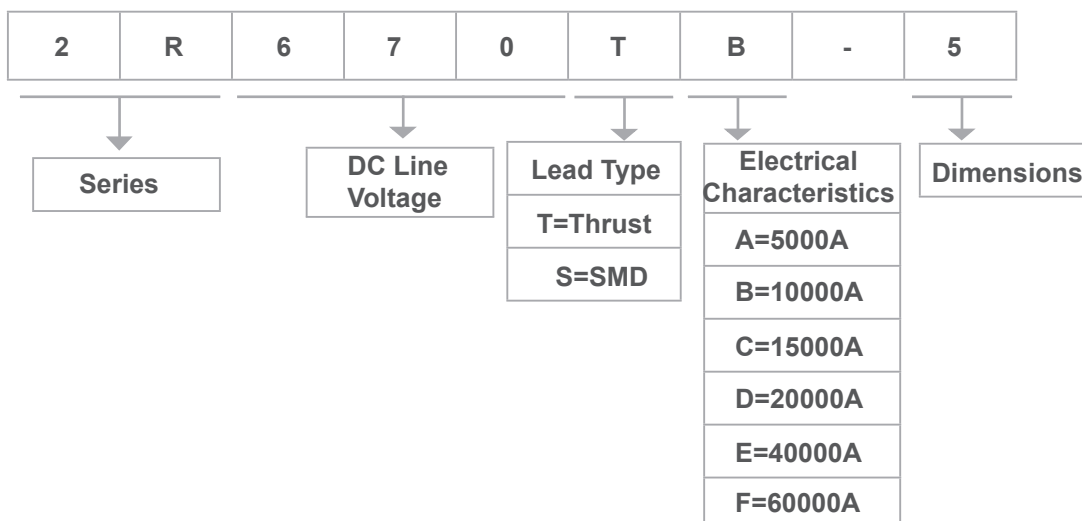
Features

1. RoHS & HF compliant
2. SMD Structure
3. DC Spark-over voltage: 70~800V
4. Low Capacitance
5. Agency Recognition : UL
6. Operating temperature: -30°C ~ +85°C Storage temperature: -40°C ~ +115°C

Recommended Applications

1. Cable Modem
2. xDSL
3. Set-Top Box
4. TV sets
5. Power supplier
6. Consumer electronics

Part Number Code



Gas Discharge Tubes - 2RB-5 Series

Electrical Characteristics

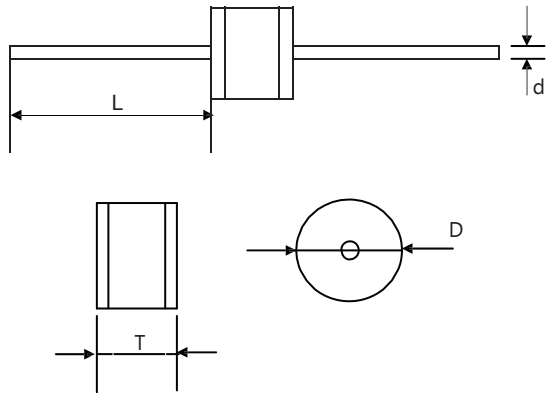
Part No.		DC Spark-over Voltage	Maximum Impulse Breakdown Voltage		Max. Impulse Discharge Current (8/20 μ s)		Impulse Life (10/1000 μ s)	Normal Alternating Discharge Current		DC Holdover Voltage	Minimum Insulation Resistance	Maximum Capacitance (1MHz)
			100V/S	100V/ μ S	1KV/ μ s	1 times		10 times	100 A			
DIP	SMD	(V)	(V)	(V)	(KA)		Times	(A)		(V)	(G Ω)	(pF)
2R070TB-5	2R070SB-5	70 \pm 20%	700	800	15	10	300	10	25	52	1	1
2R075TB-5	2R075SB-5	75 \pm 20%	700	800	15	10	300	10	25	52	1	1
2R090TB-5	2R090SB-5	90 \pm 20%	600	700	15	10	300	10	25	52	1	1
2R150TB-5	2R150SB-5	150 \pm 20%	600	700	15	10	300	10	25	52	1	1
2R230TB-5	2R230SB-5	230 \pm 20%	600	700	15	10	300	10	25	80	1	1
2R250TB-5	2R250SB-5	250 \pm 20%	600	700	15	10	300	10	25	80	1	1
2R300TB-5	2R300SB-5	300 \pm 20%	700	900	15	10	300	10	25	150	1	1
2R350TB-5	2R350SB-5	350 \pm 20%	700	900	15	10	300	10	25	150	1	1
2R400TB-5	2R400SB-5	400 \pm 20%	800	1000	15	10	300	10	25	150	1	1
2R470TB-5	2R470SB-5	470 \pm 20%	900	1100	15	10	300	10	25	150	1	1
2R600TB-5	2R600SB-5	600 \pm 20%	1300	1500	15	10	300	10	25	150	1	1
2R800TB-5	2R800SB-5	800 \pm 20%	1500	1700	15	10	300	10	25	150	1	1

DC Spark-over Voltage	DC Measuring Voltage
70-90V	50V
150-400V	100V
470-800V	250V

Gas Discharge Tubes - 2RB-5 Series

Dimension

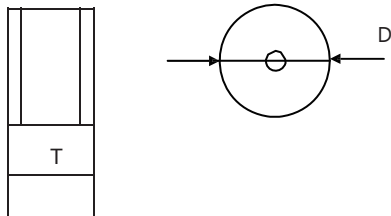
□ = T (Axial lead type)



Unit:mm

Item	Dimensions	
	Spec.	Tolerance
D	5.5	+0.3/-0.5
T	6.0	+0.3/-0.5
L	20	Min.
d	0.8	±0.05

□ = S (No lead type)



Unit:mm

Item	Dimensions	
	Spec.	Tolerance
D	5.5	+0.3/-0.5
T	6.0	+0.3/-0.5

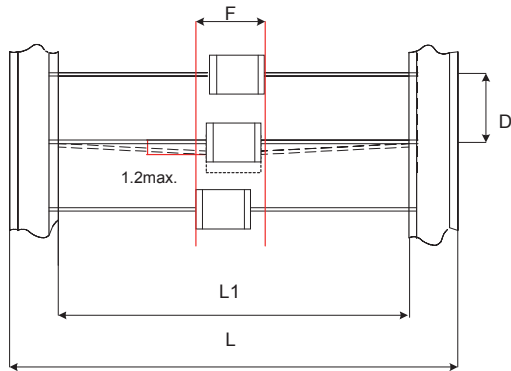
Packaging Taping

Unit:mm

Plastic Tray (265×147×10mm)	Inner Box (270×145×50mm)	Outside Box (310×280×275mm)
100 PCS/ Plastic Tray	500 PCS/ Box	5,000 PCS/ Carton

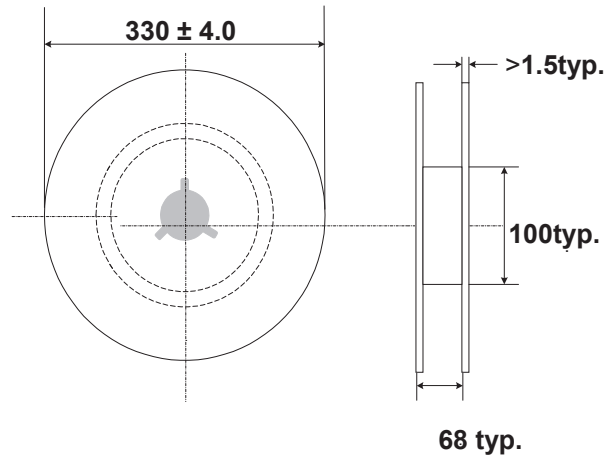
Gas Discharge Tubes - 2RB-5 Series

For 2-electrode Axial Lead GDT: 500 PCS/Reel



Unit:mm

Item	Dimensions	
	Spec.	Tolerance
L1	52	±2
L	64	±3
D	10	±0.5
F	T+1.4	Max.



Warehouse Storage Conditions of Products

- Storage Conditions:
 - Storage Temperature: $-10^{\circ}\text{C} \sim +40^{\circ}\text{C}$
 - Relative Humidity: $\leq 75\% \text{RH}$
 - Keep away from corrosive atmosphere and sunlight.
- Period of Storage: 1 year

RuiLongYuan Electronics Co., Ltd.

- Reproducing and modifying information of the document is prohibited without permission from Ruilongyuan International Inc.
- Ruilongyuan International Inc. reserves the rights to make changes of the content herein the document anytime without notification. Please refer to our website for the latest document.
- Ruilongyuan International Inc. disclaims any and all liability arising out of the application or use of any product including damages incidentally and consequentially occurred.
- Ruilongyuan International Inc. does not assume any and all implied warranties, including warranties of fitness for particular purpose, non-infringement and merchantability.
- Applications shown on the herein document are examples of standard use and operation. Customers are responsible in comprehending the suitable use in particular applications. Ruilongyuan International Inc. makes no representation or warranty that such applications will be suitable for the specified use without further testing or modification.
- The products shown herein are not designed and authorized for equipments requiring high level of reliability or relating to human life and for any applications concerning life-saving or life-sustaining, such as medical instruments, transportation equipment, aerospace machinery et cetera. Customers using or selling these products for use in such applications do so at their own risk and agree to fully indemnify Ruilongyuan International Inc. for any damages resulting from such improper use or sale.

Tel: +86-755-8290 8296

Fax: +86-755-8290 8002

E-mail: jack@ruilon.com