

DL-2 Series



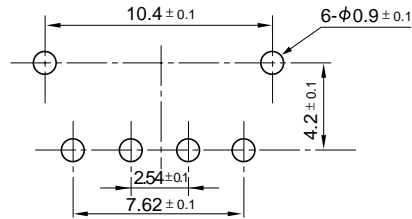
■ Features

- DL-2 series connectors feature a built-in IC to realize TTL level I/O.
- These connectors feature excellent anti-noise and anti-environmental characteristics permitting use under severe environmental conditions.
- Connectors in this series are available in high precision full lock and half lock = types. (Both types are compatible)
- You can select PCF (plastic cladding silica fiber) or APF (all plastic fiber) to meet environmental conditions and transmission distance.
- IEC standard optical fibers (200/300μm) can be used with these connectors.

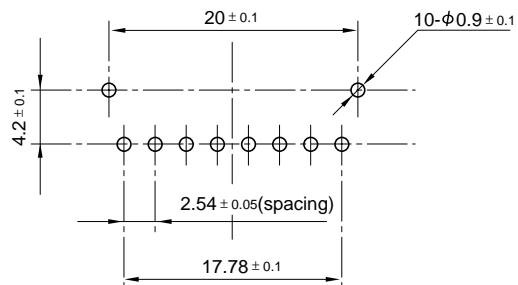
■ Specifications

- Transmission Rate : DC to 6Mbps (NRZ)
- Maximum Transmission Distance : PCF 1.3km, APF 50m
- Applicable Fiber : PCF 200/300mm, APF fiber 980/1000mm
- Pulse Width Distortion :
 General Purpose Use Type (GH) ±110ns max.
 High Reliability Use Type (HH) ±110ns max.
- Operating Temperature :
 General Purpose Use Type (GH) -40°C to +70°C
 High Reliability Use Type (HH) -40°C to +85°C

■ PC Board Mounting Hole for Simplex Type Receptacle

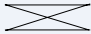
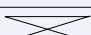
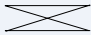



■ PC Board Mounting Hole for Duplex Type Receptacle



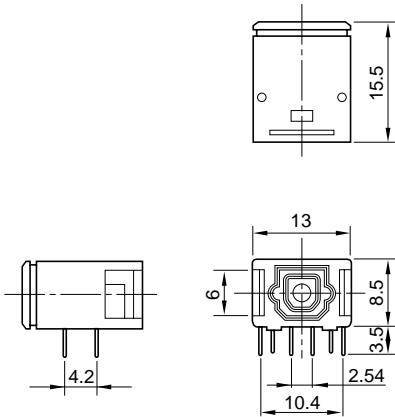
■ Configuration

APF...All Plastic Fiber
 PCF...Plastic Cladding Silica Fiber

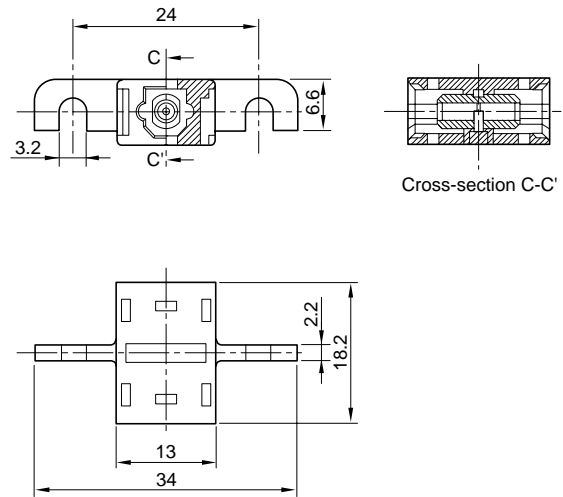
Series Name	Optical Fiber used	Applicable Receptacle
DL2S	Simplex For PCF  For APF 	GH Type HH Type
DL2D	Duplex For PCF  For APF 	GH Type HH Type

DL-2S Series

● Receptacle

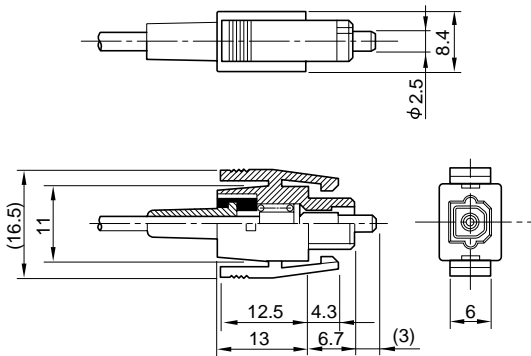


● Adapter

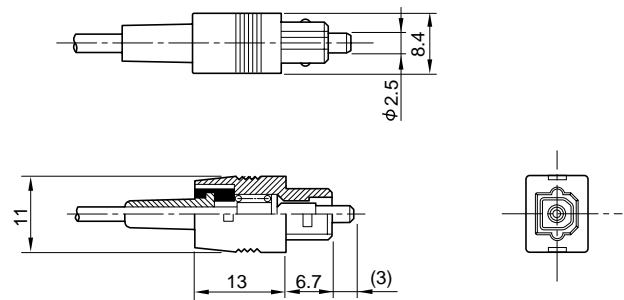


Type Name	LED Wavelength	Part No.
General Purpose use (GH)	For Light Sensing Fiber Optic Receiving Module	CDL3611-0201
	$\lambda = 800\text{nm}$	CDL3611-0202
	$\lambda = 650\text{nm}$	CDL3611-0203
High Reliability use (HH)	For Light Sensing Fiber Optic Receiving Module	CDL3611-0211
	$\lambda = 800\text{nm}$	CDL3611-0212
	$\lambda = 650\text{nm}$	CDL3611-0213

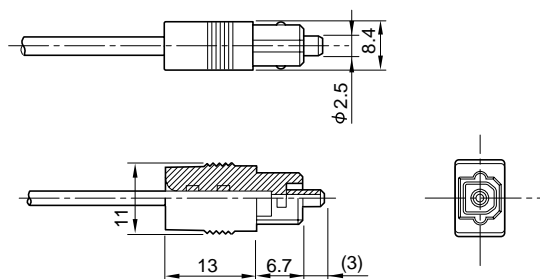
● Full Lock Plug (For APF and PCF)



● Half Lock Plug (For PCF)



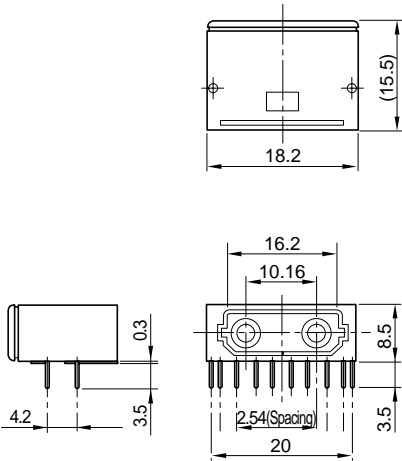
● Simple Assembly Plug (For APF)



Applicable Fiber	Type	Part No.
Plastic Cladding	Full Lock	CDL1611-0201
Silica Fiber (PCF)	Full Lock	CDL1611-0211
All Plastic Fiber (APF)	Full Lock	CDL1711-0201
	Simple Assembly Type	CDL1711-0221

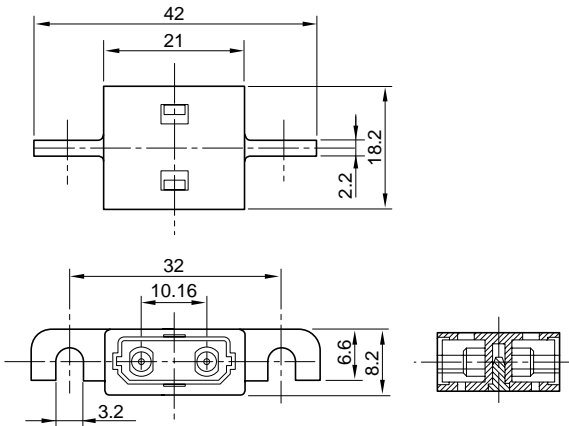
DL-2D Series

● Receptacle

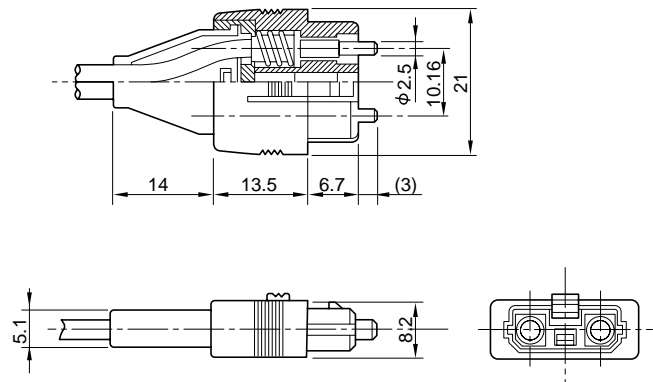


Type Name	LED Wavelength	Part No.
General Purpose Use Type (GH)	$\lambda = 800\text{nm}$	CDL3622-0202
	$\lambda = 650\text{nm}$	CDL3622-0203
High Reliability Use Type (HH)	$\lambda = 800\text{nm}$	CDL3622-0212
	$\lambda = 650\text{nm}$	CDL3622-0213

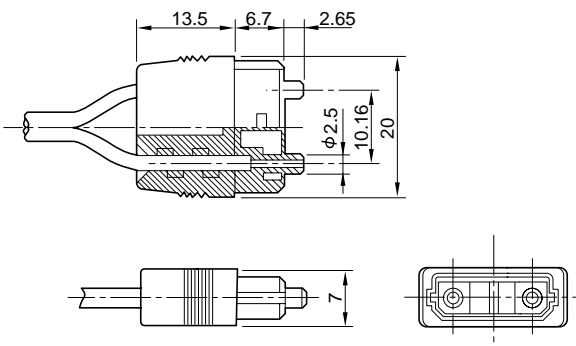
● Adapter



● Full Lock Plug



● Simple Assembly Plug



Applicable Fiber	Type	Part No.
Plastic Cladding Silica Fiber (PCF)	Full Lock	CDL1622-0201
All Plastic Fiber (APF)	Full Lock	CDL1722-0201
	Simple Assembly Type	CDL1722-0221