

REVISIONS			
REV.	DESCRIPTION	DATE	APPROVED
A	Created Drawing	02/06/13	DC

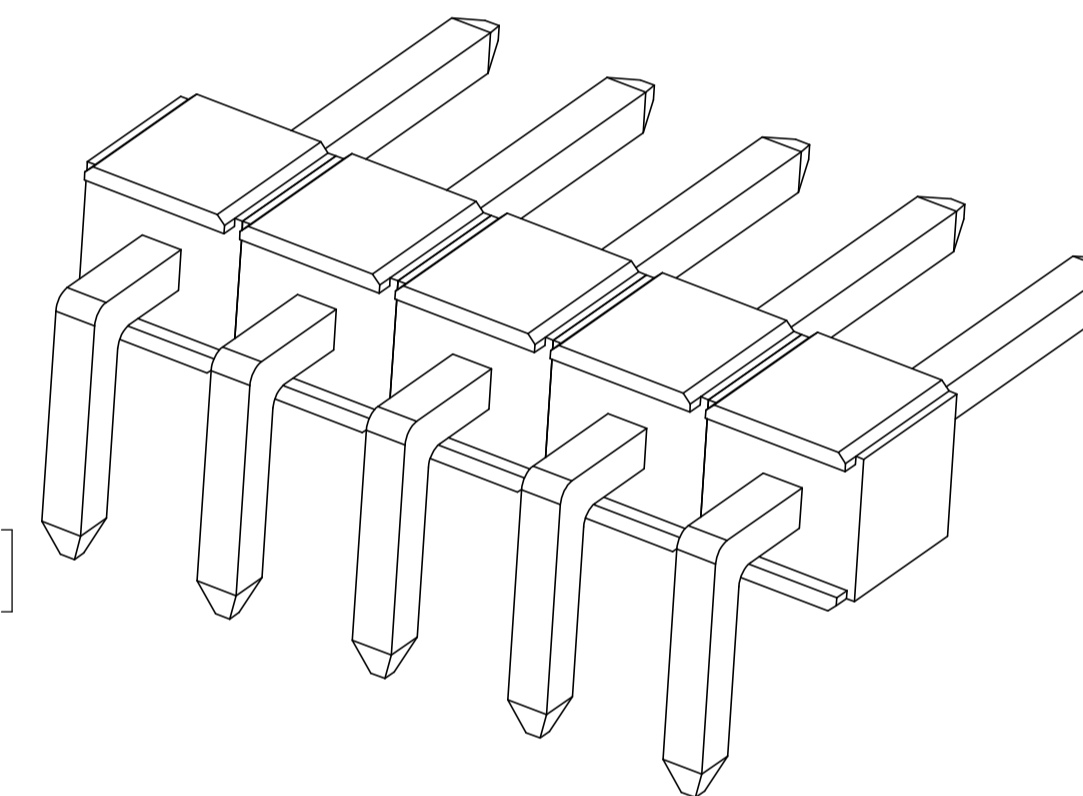
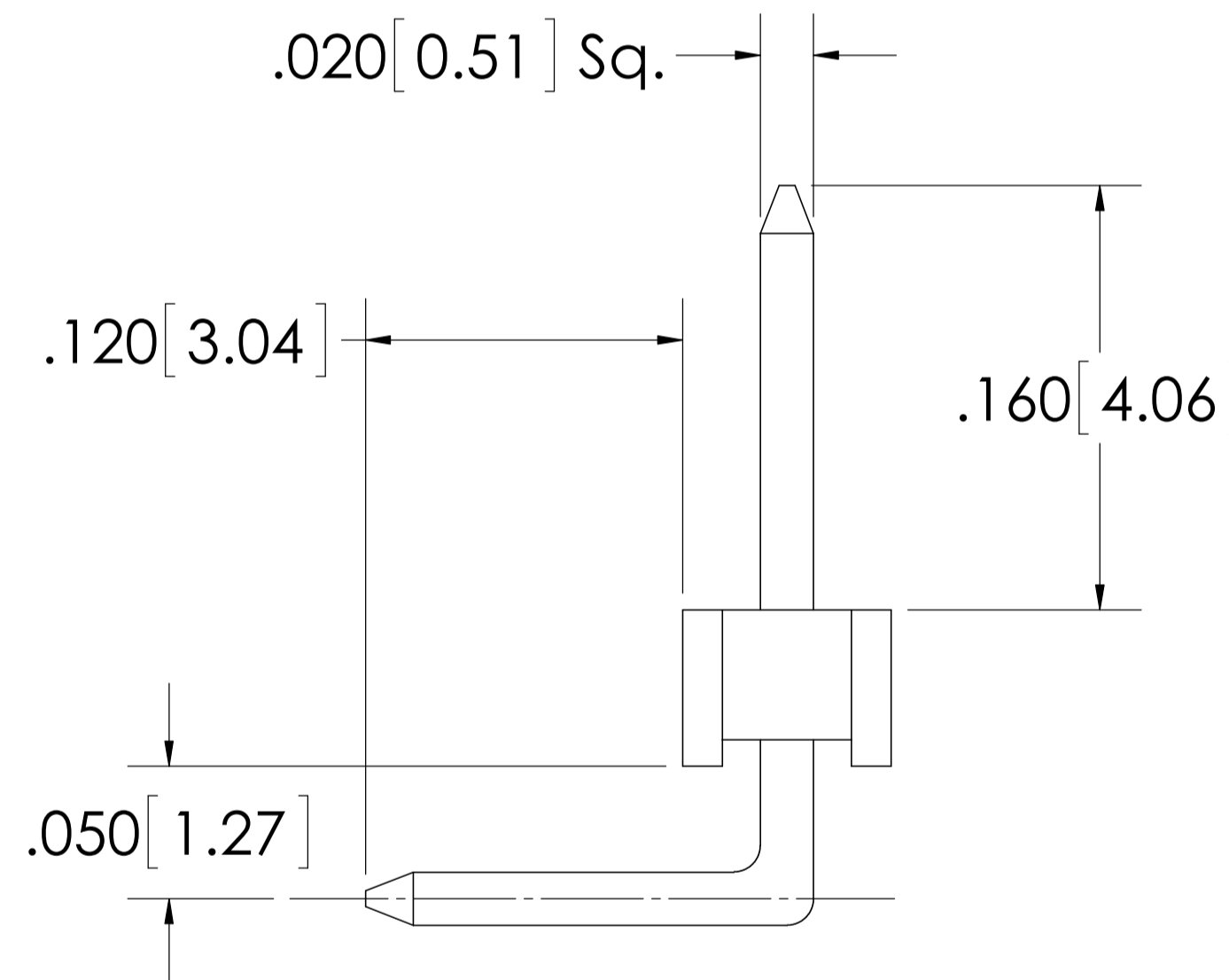
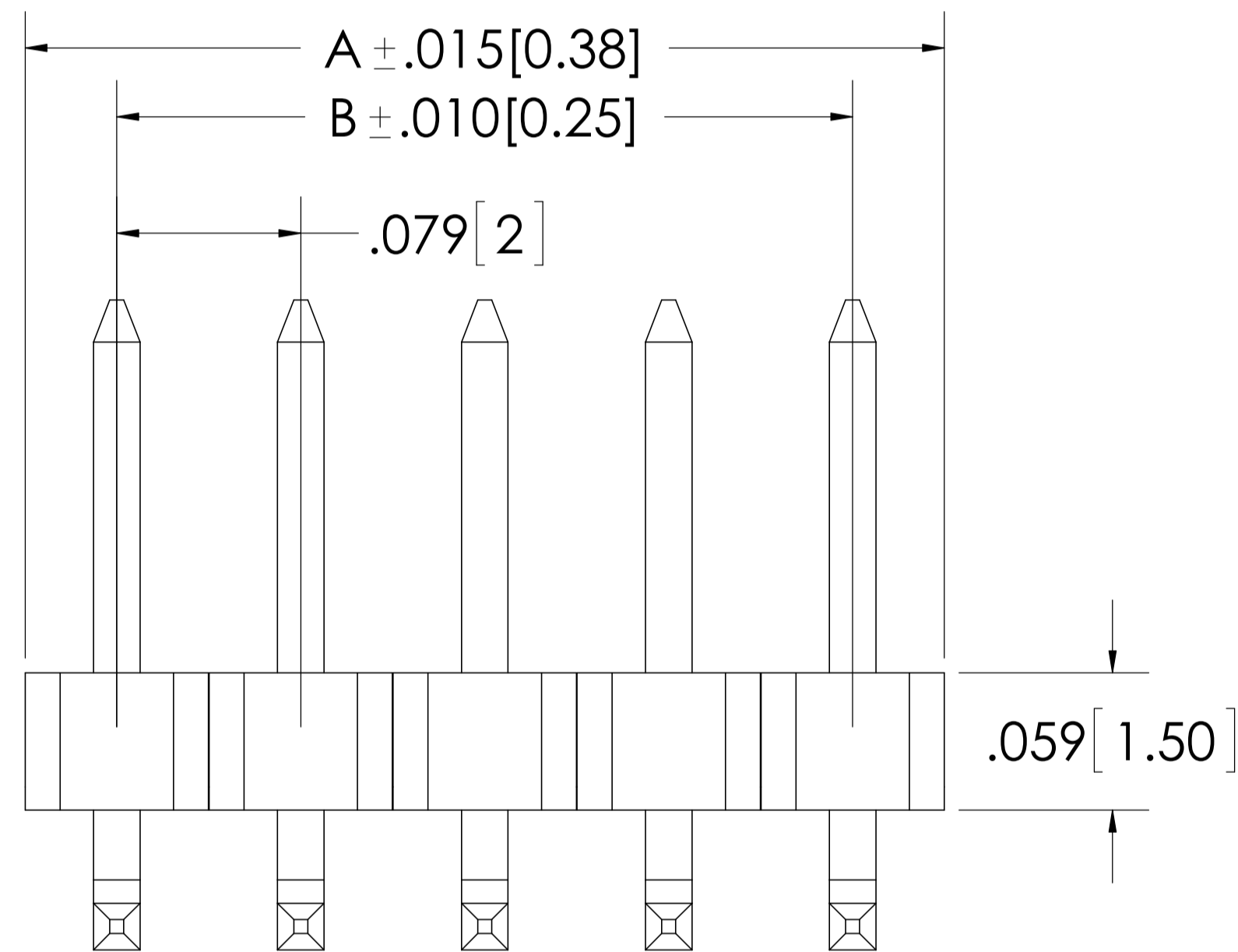
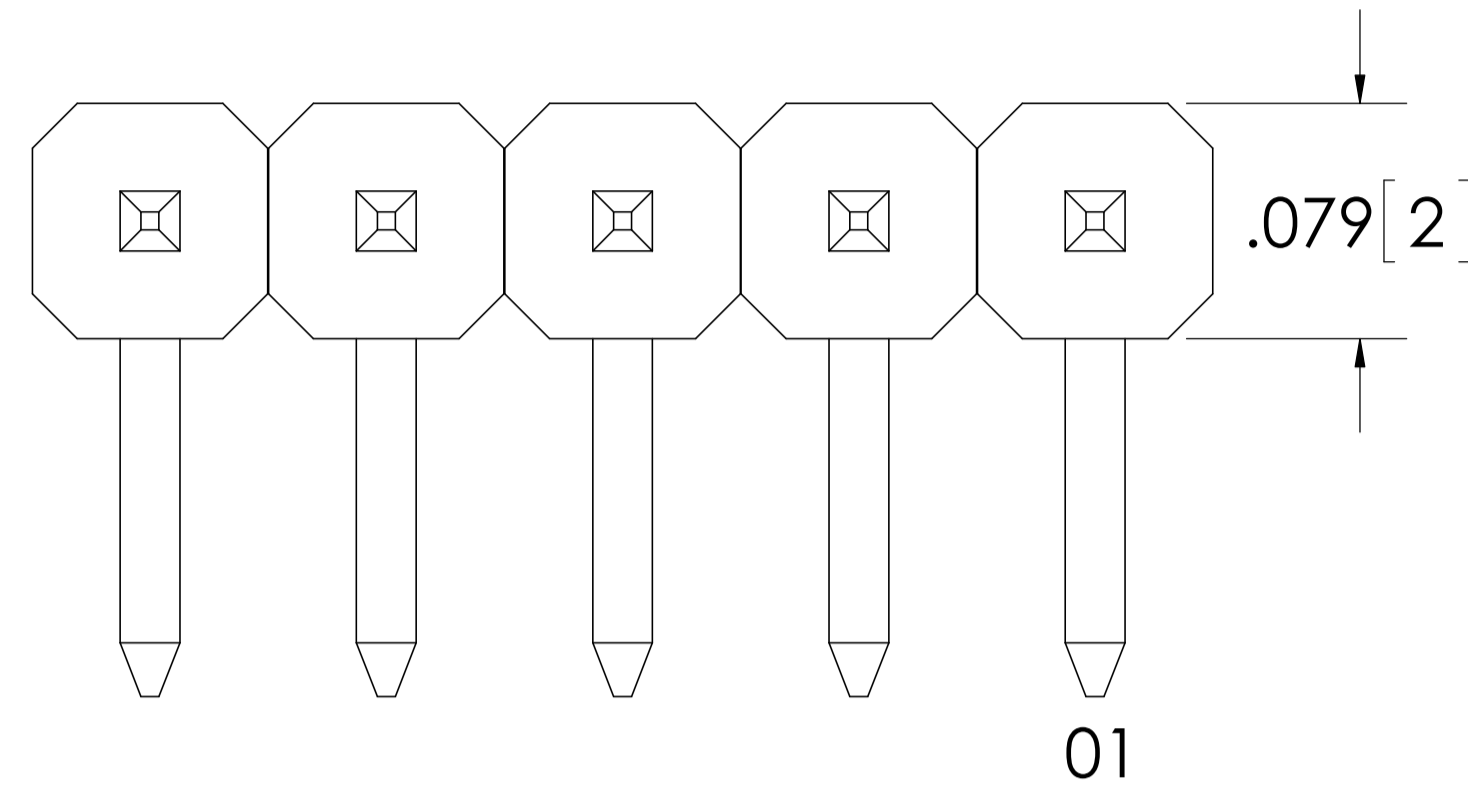
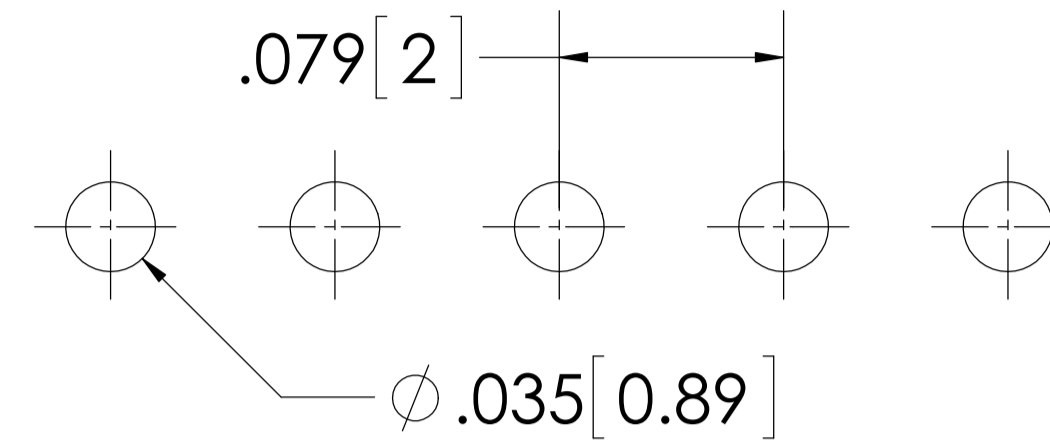
Specifications:  
 Current Rating: 2.0 Ampere  
 Insulation Resistance: 1000M Ohms Min.  
 Dielectric Withstanding: 500V AC  
 Contact Resistance: 20m Ohms Max.  
 Operating Temperature: -40°C to +105°C

Materials:  
 Contact Material: Brass  
 Plating: Gold Flash over entire pin  
 Insulator Material: Thermoplastic, UL94V-0, PBT  
 Color: Natural

Max. Process Temperatures:  
 Peak: 260°C up to 20 secs.  
 Process: 230°C up to 60 secs.  
 Wave: 260°C up to 6 Secs.  
 Manual Solder: 350°C up to 5 secs.

All materials must meet Major League Electronics requirements for environmental protection.

RECOMMENDED PCB LAYOUT  
 General Tolerance .002 [0.05]



CONTACTS	DIMENSIONS			
	A		B	
02	0.157	4.00	0.079	2.00
03	0.236	6.00	0.157	4.00
04	0.315	8.00	0.236	6.00
05	0.394	9.99	0.315	8.00
06	0.472	12.00	0.394	10.00
	Inches	MM	Inches	MM

ORDERING INFORMATION

BLTSR-2 **XX** - **S** - **F** - **LF**  
 Lead Free

Pins Per Row  
 02,03,04,05,06

Single Row Option

Contact Plating:  
 F = Gold Flash Over All

UNLESS OTHERWISE SPECIFIED:		DATE	NAME
DIMENSIONS ARE IN INCHES TOLERANCES: ONE PLACE DECIMALS ±.100 TWO PLACE DECIMAL ±.010 THREE PLACE DECIMAL ±.005 FOUR PLACE DECIMAL ±.002		DRAWN 02/06/13	GWE
INTERPRET GEOMETRIC TOLERANCING PER:		CHECKED 02/06/13	DRC
MATERIAL	--	ENG APPR.	
FINISH	--	MFG APPR.	
		Q.A.	
		COMMENTS:	

PROPRIETARY AND CONFIDENTIAL  
 THE INFORMATION CONTAINED IN THIS DRAWING IS THE SOLE PROPERTY OF MAJOR LEAGUE ELECTRONICS. ANY REPRODUCTION IN PART OR AS A WHOLE WITHOUT THE WRITTEN PERMISSION OF MAJOR LEAGUE ELECTRONICS IS PROHIBITED.



4235 Earnings Way  
 New Albany, IN 47150  
 Phone: 812-944-7244 Fax: 812-944-7268  
 e-Mail: mle@mllelectronics.com

TITLE: BLTSR-2-S		
SIZE B	DWG. NO. Q:ASSEM/BL/BLTSR-2	REV A
SCALE: 8:1	WEIGHT:	SHEET 1 OF 1