

**92**mm sq.

# San Ace 92

25mm thick (GA type), 25mm thick (S type)  
 25mm thick, 25mm thick (San Cooler)  
 32mm thick (G type), 38mm thick (GA type)  
 38mm thick (GV type), 38mm thick (G type)



## General Specifications

- Material ..... Frame: Plastics (Flammability: UL94V-0),  
 Impeller: Plastics (Flammability: UL94V-1)
- Expected Life ..... Refer to specifications (L10:Survival rate:90% at 60°C ,  
 rated voltage, and continuously run in a free air state)
- Lead Wire ..... ⊕red ⊖black or blue (Sensor) yellow
- Storage Temperature ..... -30°C to +70°C (Non-condensing)

**92×92×25mm** (Mass : 150g)

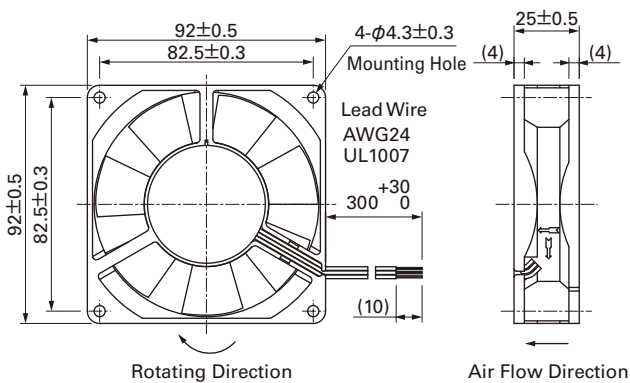
## Specifications

The following nos. **have pulse sensors and ribs.** For ribless, append "1" to the model no.

Model No.	Rated Voltage [V]	Operating Voltage Range [V]	Rated Current [A]	Rated Input [W]	Rated Speed [min <sup>-1</sup> ]	Max. Air Flow [m <sup>3</sup> /min] [CFM]	Max. Static Pressure [Pa] [inchH <sub>2</sub> O]	SPL [dB(A)]	Operating Temperature [°C]	Expected Life [h]
109P0912J401	12	6 to 13.8	0.56	6.72	4,300	2.03 71.6	92.2 0.37	47	-20 to +60	40,000
109P0912W401		6 to 16	0.21	2.52	2,850	1.45 51.2	45 0.181	33		
109P0912H401		10.2 to 13.8	0.21	2.52	2,850	1.45 51.2	45 0.181	33		
109P0912F401			0.14	1.68	2,450	1.24 43.8	32.3 0.130	30		
109P0912M401			0.1	1.2	2,100	1.04 36.7	23.5 0.094	27		
109P0912L401			0.07	0.84	1,700	0.8 28.3	16.6 0.067	23		
109P0924W401	24	12 to 30	0.12	2.88	2,850	1.45 51.2	45 0.181	33	-20 to +70	
109P0924H401		20.4 to 27.6	0.12	2.88	2,850	1.45 51.2	45 0.181	33		
109P0924F401			0.08	1.92	2,450	1.24 43.8	32.3 0.130	30		
109P0924M401			0.06	1.44	2,100	1.04 36.7	23.5 0.094	27		
109P0924L401			0.05	1.2	1,700	0.8 28.3	16.6 0.067	23		
109P0948H401		48	43 to 53	0.06	2.88	2,850	1.45 51.2	45 0.181		

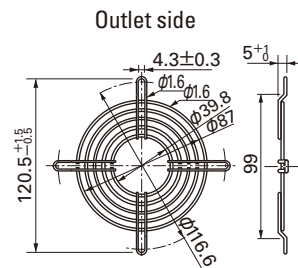
- Available options: ⇒ **Without Sensor**
- Please inquire as the availability of these functions depend on the model. ⇒ **Lock Sensor** **Low speed Sensor**

## Dimensions (Unit : mm) (With ribs)



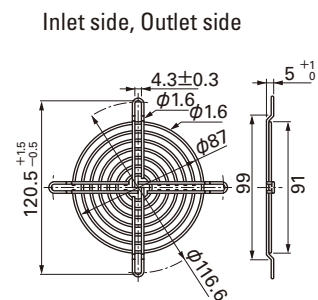
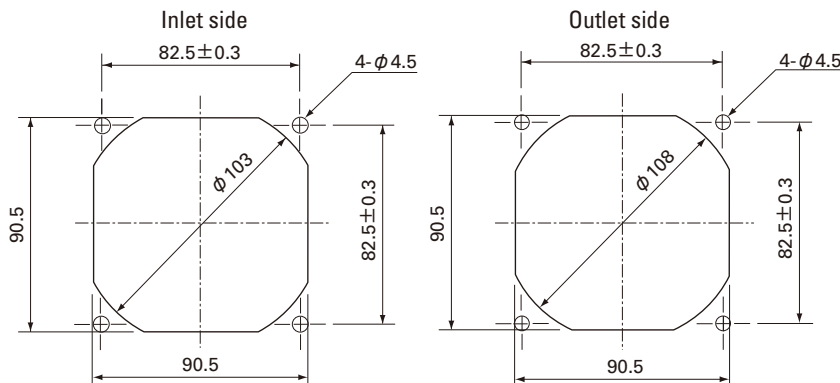
## Options (Unit : mm)

**Finger guards** Color: Nickel-chrome plating (silver)  
 Model : 109-099C Surface treatment : Nickel-chrome plating (silver)



## Reference dimension of mounting holes and vent opening (Unit : mm)

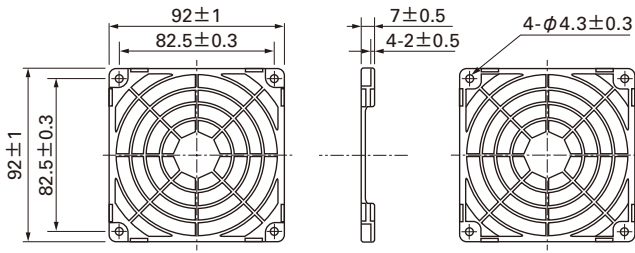
Color: Nickel-chrome plating (silver) / Cation electropainting (black)  
 Model : 109-099E / 109-099H Surface treatment : Nickel-chrome plating (silver) / Cation electropainting (black)



**Options (Unit : mm)**

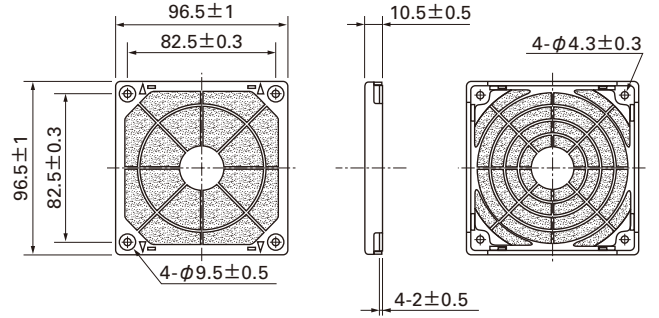
**Resin finger guards**

Model : 109-1001G

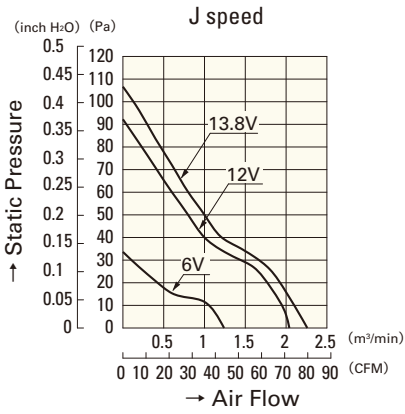


**Resin filter kits**

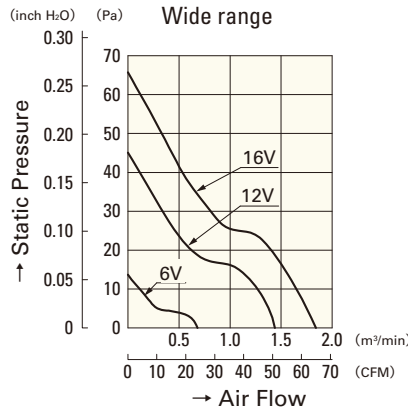
Model : 109-1001F13 (13PPI), 109-1001F20 (20PPI)  
: 109-1001F30 (30PPI), 109-1001F40 (40PPI)



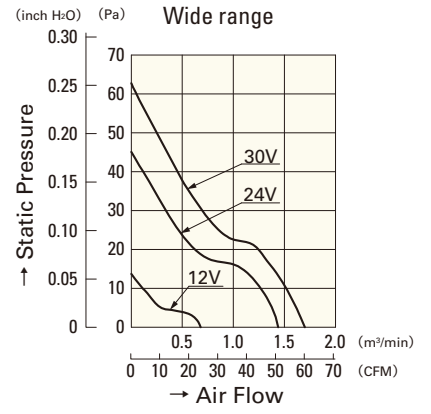
**Air Flow - Static Pressure Characteristics**



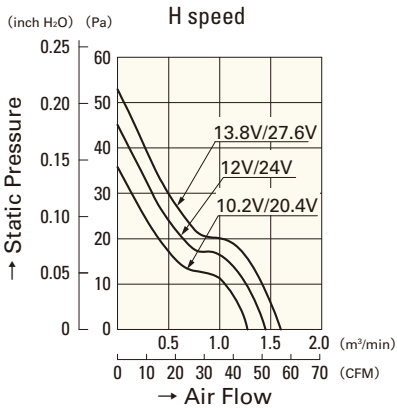
**109P0912J401**



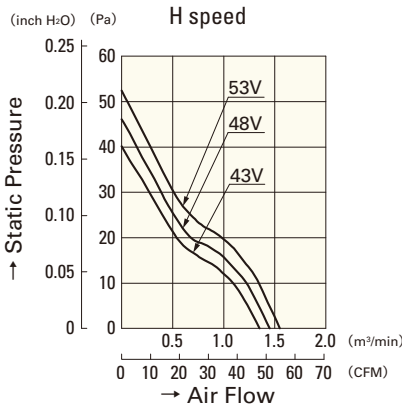
**109P0912W401**



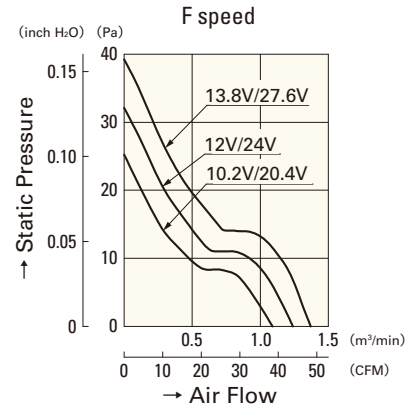
**109P0924W401**



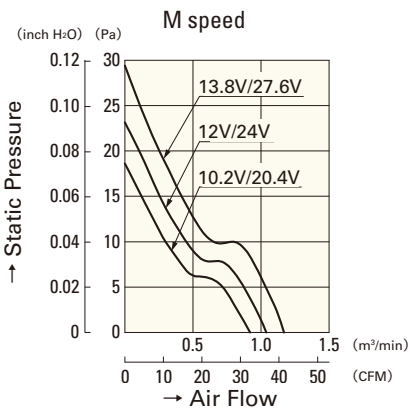
**109P0912H401**  
**109P0924H401**



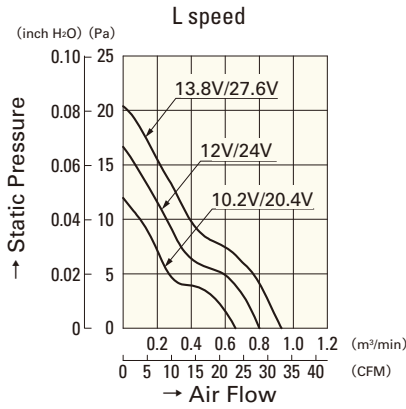
**109P0948H401**



**109P0912F401**  
**109P0924F401**



**109P0912M401**  
**109P0924M401**



**109P0912L401**  
**109P0924L401**