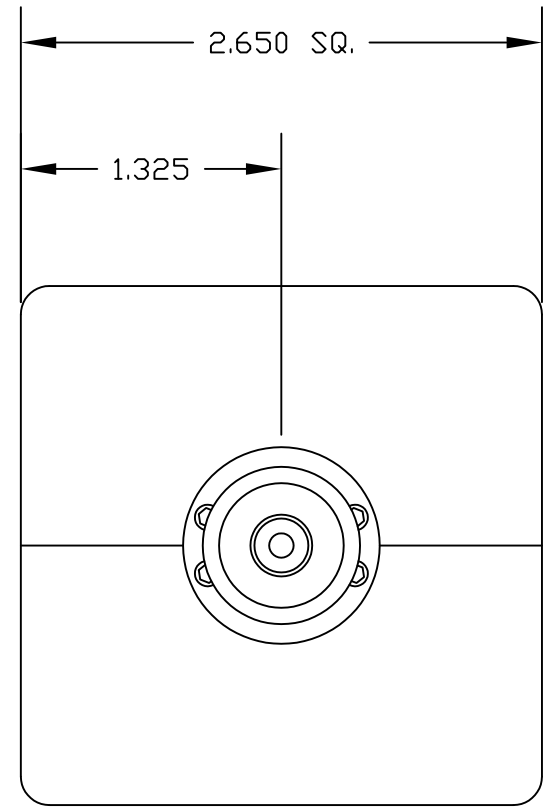
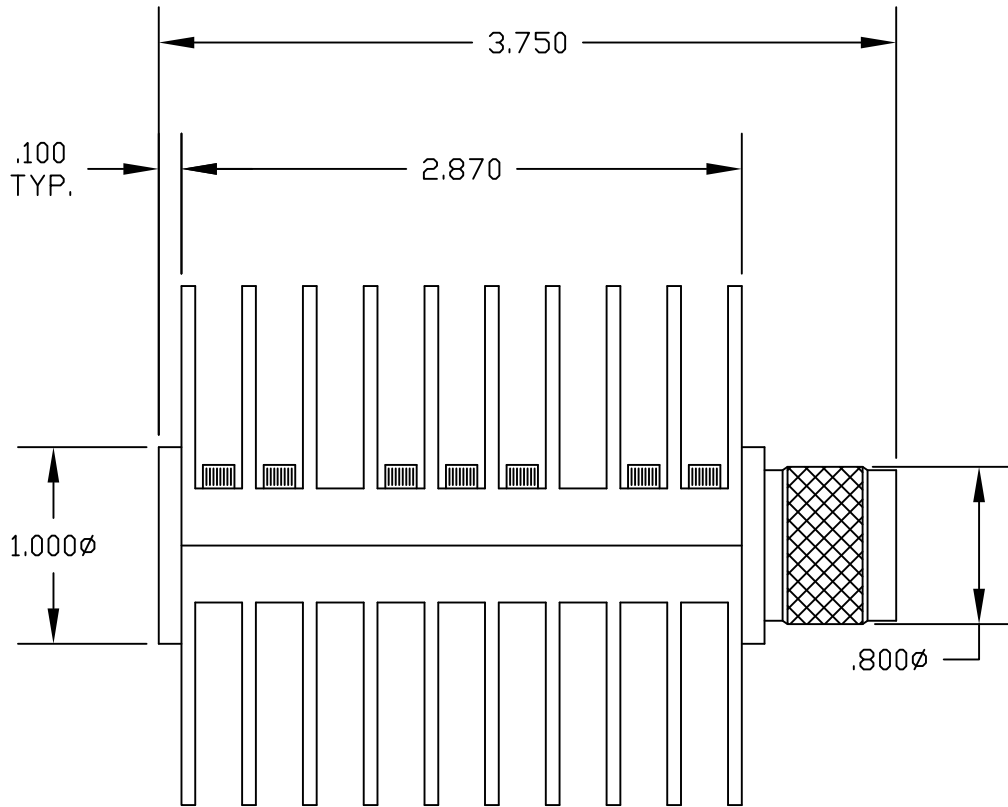


MATERIALS

CONNECTOR	PASSIVATED STAINLESS STEEL
CONTACT	GOLD PLATED
INSULATOR	PTFE
HEAT SINK	ANODIZED ALUMINUM



SPECIFICATIONS

FREQUENCY RANGE: DC TO 18 GHz
 POWER HANDLING CAPABILITY: 25 WATTS
 MAXIMUM VSWR: 1.40



PASTERNACK ENTERPRISES, INC.
 P.O BOX 16759, IRVINE, CA 92623
 PHONE (949) 261-1920 FAX (949) 261-7451
 WEB ADDRESS: www.pasternack.com
 E-MAIL ADDRESS: sales@pasternack.com
COAXIAL & FIBER OPTICS

DWG TITLE PE6106		DES. N MALE HIGH POWER TERMINATION FREQUENCY RANGE: DC TO 18 GHz			
SIZE A	FSCM NO. 53919	CAD FILE 080602	SCALE N/A		127

- NOTES:**
- UNLESS OTHERWISE SPECIFIED ALL DIMENSIONS ARE NOMINAL.
 - ALL SPECIFICATIONS ARE SUBJECT TO CHANGE WITHOUT NOTICE AT ANY TIME.