

8-Channel High Voltage Analog Switch

Ordering Information

V_{PP}	V_{NN}	V_{SIG}	Package Options		
			18-pin Ceramic Side-brazed DIP*	18-pin Plastic DIP	Die in wafer pack
+70V	-70V	110V P-P	HV1214C	HV1214P	HV1214X
+80V	-80V	130V P-P	HV1216C	HV1216P	HV1216X

* Consult factory for Cerdip and Ceramic LCC availability.

Features

- HVCMS[®] Technology
- Up to 130V peak to peak switching capability
- Output On-resistance typically 40 ohms
- Low parasitic capacitances
- DC to 10MHz analog signal frequency
- 45 dB typical output off isolation at 5 MHz
- CMOS logic circuitry for low power and excellent noise immunity
- On-chip shift register, latch, and clear logic circuitry

Absolute Maximum Ratings*

V_{DD} logic power supply voltage	-0.5V to +18V
$V_{PP} - V_{NN}$ supply voltage	174V [†]
V_{PP} positive high voltage supply	-0.5V to +90V [†]
V_{NN} negative high voltage supply	+0.5V to -90V [†]
Logic input voltages	-0.5 to $V_{DD} + 0.3V$
Analog signal range	V_{NN} to V_{PP}
Peak analog signal current/channel	1.5A
Storage temperature	-65°C to +150°C
Power dissipation	800mW

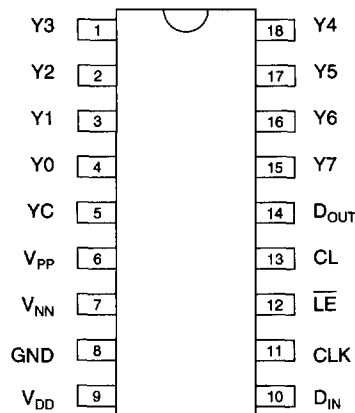
* Absolute Maximum Ratings are those values beyond which damage to the device may occur. Functional operation under these conditions is not implied. Continuous operation of the device at the absolute rating level may affect device reliability.

[†] For HV1216

General Description

This device is an 8-channel high-voltage integrated circuit (HVIC) intended for use in applications requiring high voltage switching controlled by low voltage signals; e.g., ultrasound imaging and printers. Input data is shifted into an 8-bit shift register which can then be retained in an 8-bit latch. Using HVCMS technology, this HVIC combines high voltage bi-lateral DMOS switches and low power CMOS logic to provide efficient control of high voltage analog signals.

Pin Configuration



top view
18-pin DIP

Electrical Characteristics

(over operating conditions, $V_{PP} = +80V$, $V_{NN} = -80V$, and $V_{DD} = 15V$ unless otherwise noted)*

DC Characteristics

Characteristics	Sym	0°C		+25°C			+70°C		Units	Test Conditions
		min	max	min	typ	max	min	max		
Switch (ON) Resistance	R_{ONS}		40		40	50		60	ohms	$I_{SW} = 5mA$, $V_{SIG} = 0V$
Switch (ON) Resistance	R_{ONS}		35		25	35		45	ohms	$I_{SW} = 200mA$, $V_{SIG} = 0V$
Switch (ON) Resistance	R_{ONS}		55		45	55		65	ohms	$V_{PP} = +50V$, $V_{NN} = -50V$ $I_{SW} = 5mA$, $V_{SIG} = 0V$
Switch (ON) Resistance	R_{ONS}		40		25	40		50	ohms	$V_{PP} = +50V$, $V_{NN} = -50V$ $I_{SW} = 200mA$, $V_{SIG} = 0V$
Switch (ON) Resistance Matching	ΔR_{ONS}		30		10	30		30	%	$V_{PP} = +50V$, $V_{NN} = -50V$, $I_{SW} = 5mA$, $V_{SIG} = 0V$
Switch Off Leakage Per Switch	I_{SOL}		50		0.5	50		150	μA	$V_{SIG} = V_{PP} - 10V$ thru $10K\Omega$ with 8 SWS in parallel
DC Offset Switch Off			500		100	500		500	mV	$R_L = 100K\Omega$
DC Offset Switch On			500		100	500		500	mV	$R_L = 100K\Omega$
Pole to Pole Switch Capacitance	C_{SW}		10		4.5	10		10	pF	DC Bias = 40V $f = 1MHz$
Logic Input Capacitance	C_{IN}				3.5				pF	
Pos. HV Supply Current	I_{PPQ}		200		50	200		200	μA	ALL SWS OFF
Neg. HV Supply Current	I_{NNQ}		-200		-50	-200		-200	μA	
Pos. HV Supply Current	I_{PPQ}				0.8	1.6			mA	1 SWS ON, $I_{SW} = 5mA$
Neg. HV Supply Current	I_{NNQ}				-0.8	-1.6			mA	$V_{SIG} = 0V$
Pos. HV Supply Current	I_{PPQ}				0.6	1.2			mA	$V_{PP} = +50V$, $V_{NN} = -50V$
Neg. HV Supply Current	I_{NNQ}				-0.6	-1.2			mA	1 SW ON, $I_{SW} = 5mA$
Switch Output Peak Current					1.5				A	$V_{SIG} \leq 0.1\%$ Duty Cycle, $f = 10KHz$
Logic Supply Average Current	I_{DD}				4	6			mA	$f_{CLK} = 3 MHz$
Data Out Source Current	I_{SOR}	0.7		0.8	0.9			0.7	mA	$V_{OUT} = V_{DD} - 0.7V$
Data Out Sink Current	I_{SINK}	0.7		0.8	0.9			0.7	mA	$V_{OUT} = 0.7V$
Logic Supply Quiescent Current	I_{DDQ}				10	500			μA	

AC Characteristics

Characteristics	Sym	0°C		+25°C			+70°C		Units	Test Conditions
		min	max	min	typ	max	min	max		
Set Up Time Before LE Rises	t_{SD}				260				ns	
Time Width of LE	t_{WLE}				300				ns	
Clock Delay Time Data Out	t_{DO}					250	330		ns	
Turn On Time	t_{ON}		5.0		2.5	5.0		5.0	μs	$R_L = 10K\Omega$
Turn Off Time	t_{OFF}		10		5.0	10		10	μs	$R_L = 10K\Omega$
Time Width of CL	t_{WCL}				150				ns	
Off Isolation	KO				-35	-45			dB	$f = 5MHz$
Clock Frequency	f_{CLK}						3.0		MHz	50% Duty Cycle $f_{DATA} = f_{CLK}/2$
Set Up Time Data to Clock	t_{SU}				0				ns	
Hold Time Data from Clock	t_h				5.0				ns	
Switch Crosstalk	K_{CR}					-45			dB	Signal Freq = 5MHz

* For HV1216. For HV1214; $V_{PP} = +70V$, $V_{NN} = -70V$, and $V_{DD} = 15V$.

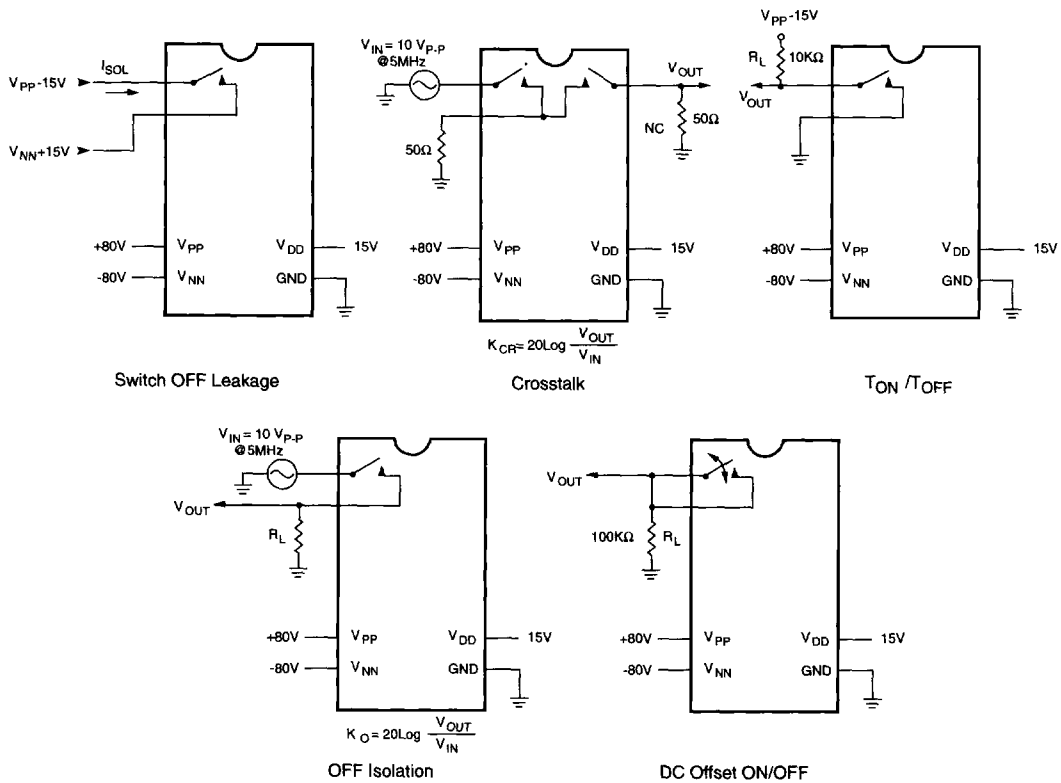
Operating Conditions

Symbol	Parameter	Device		Value
		HV1214	HV1216	
V_{DD}	Logic power supply voltage	X	X	+10V to +15.5V
V_{PP}	Positive high voltage supply	X		+50.0V to +70V
			X	+50.0V to +80V
V_{NN}	Negative high voltage supply	X		-50V to -70V
			X	-50V to -80V
V_{IH}	High level input voltage	X	X	$V_{DD} - 2V$ to V_{DD}
V_{IL}	Low-level input voltage	X	X	0 to 2.0V
V_{SIG}	Analog signal voltage peak to peak	X	X	$V_{NN} + 15V$ to $V_{PP} - 15V$
T_A	Operating free air-temperature	X	X	0° to 70°C

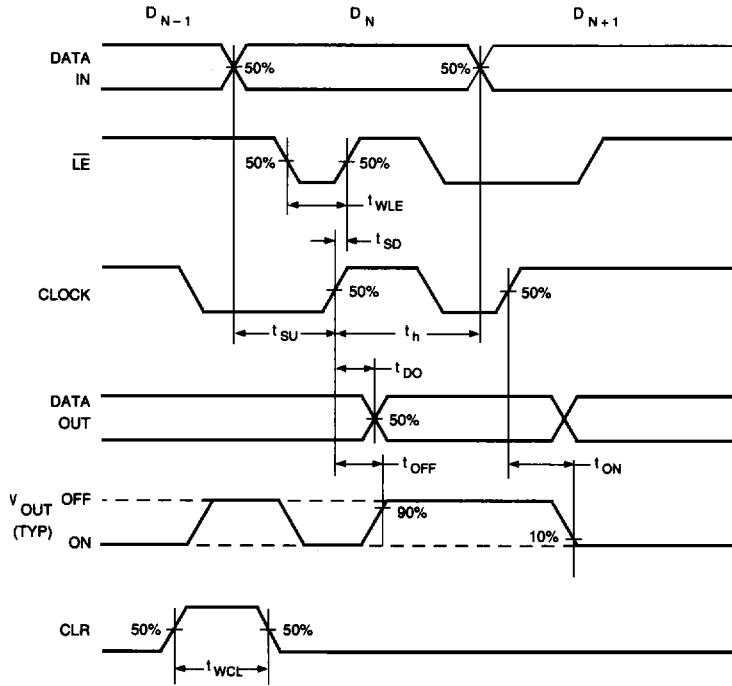
Note:

1. Power up/down sequence is arbitrary except GND must be powered-up first and powered - down last.
2. V_{SIG} must be $V_{NN} \leq V_{SIG} \leq V_{PP}$ or floating during power up/down transition.

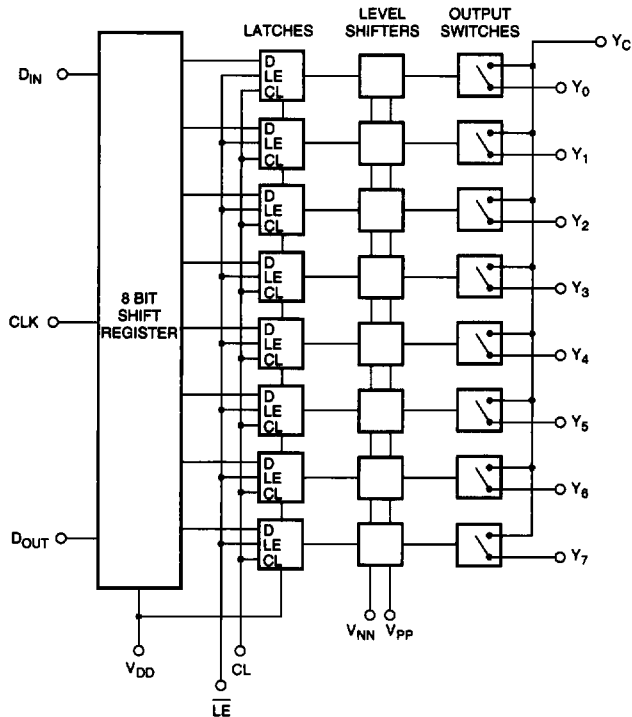
Test Circuits



Logic Timing Waveform



Logic Diagram



Truth Table

D ₀	D ₁	D ₂	D ₃	D ₄	D ₅	D ₆	D ₇	\overline{LE}	CL	Y ₀	Y ₁	Y ₂	Y ₃	Y ₄	Y ₅	Y ₆	Y ₇
L								L	L	OFF							
H								L	L	ON							
	L							L	L		OFF						
	H							L	L		ON						
		L						L	L			OFF					
		H						L	L			ON					
			L					L	L				OFF				
			H					L	L				ON				
				L				L	L					OFF			
				H				L	L					ON			
					L			L	L						OFF		
					H			L	L						ON		
						L		L	L							OFF	
						H		L	L							ON	
							L	L	L								OFF
							H	L	L								ON
X	X	X	X	X	X	X	X	X	H	OFF	OFF	OFF	OFF	OFF	OFF	OFF	OFF
X	X	X	X	X	X	X	X	H	L	HOLD PREVIOUS STATE							

Notes:

1. The eight switches operate independently, but connect to a common Z line.
2. Serial data is clocked in on the L→H transition of CLK.
3. The clear input overrides all other inputs.
4. The switches go to a state retaining their present condition at the rising edge of \overline{LE} . When \overline{LE} is low, the shift register data flows through the latch.
5. D_{out} is high when switch 7 is on.
6. Shift register clocking has no effect on the switch states if \overline{LE} is H.

Typical Performance Curves

