



# Elite CR-58

## Multi-Throw DC-26.5GHz

### Normally Open

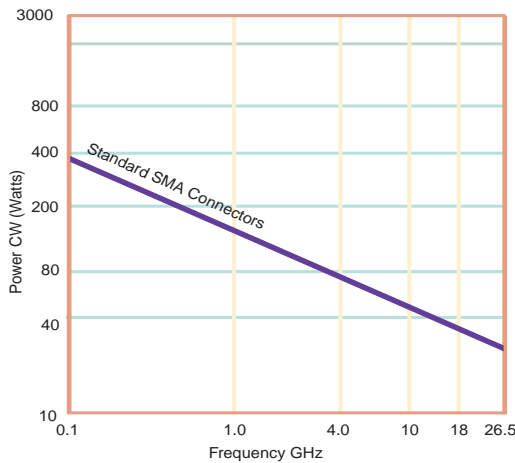
The CR-58 Switch is a broadband, multi-throw, electromechanical coaxial switch designed to switch a microwave signal from a common input to any of 3, 4, 5, or 6 outputs. The characteristic impedance is 50 Ohms. The switches are small using the popular connector spacing on a 1.062" dia. circle. Each position has an individual actuator mechanism allowing random position selection. This also gives the minimum switching time.

With the normally open actuator, all paths are open when the switch is de-energized.

#### Specifications

<b>RF Contacts:</b>	Break before make			
<b>Actuator</b>	Voltage (VDC) 20°C	12	15	28
	Current (mA)	170	136	140
<b>Switching Time:</b>	15 msec max			
<b>Connectors:</b>	SMA (f)			
<b>Weight:</b>	6 oz. max			
<b>Temperature Range:</b>	-55°C to +85°C (Operating)			
<b>Shock:</b>	MIL-STD-202 Method 213, Condition D (500G Non Operating)			
<b>Vibration:</b>	MIL-STD-202 Method 214, Condition D (10G RMS Non Operating)			
<b>Humidity:</b>	Moisture Seal Available			
<b>Typical Contact Life:</b>	5 Million Cycles			

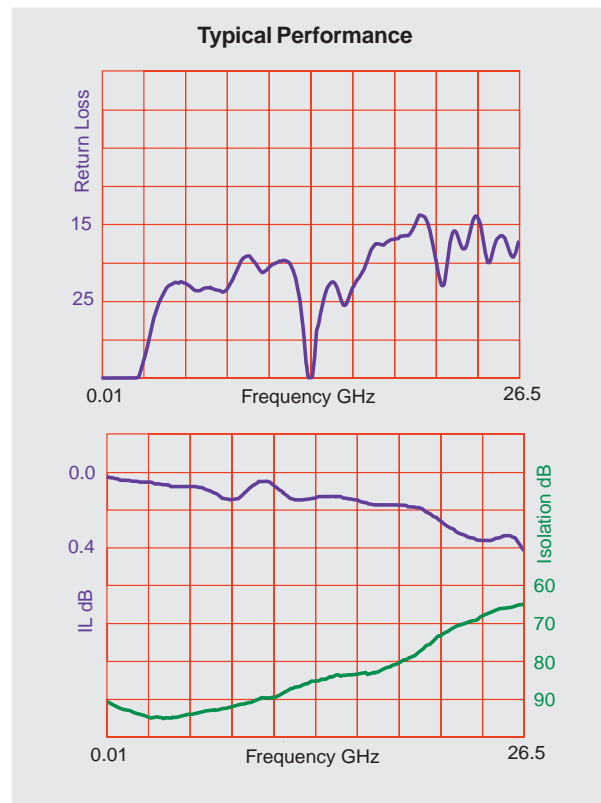
#### RF Power Handling



Specifications	DC-6 GHz	6-12 GHz	12-18 GHz	18-26.5 GHz
VSWR (max)	1.25:1	1.40:1	1.50:1	1.80:1
Insertion Loss (min)	0.20 dB	0.40 dB	0.50 dB	0.80 dB
Isolation (max)	70.0 dB	60.0 dB	60.0 dB	50.0 dB

#### Insertion Loss Repeatability (1 Million Cycles):

DC to 6 GHz: 0.05 dB  
 DC to 20 GHz: 0.1 dB



Specifications subject to change without notice.

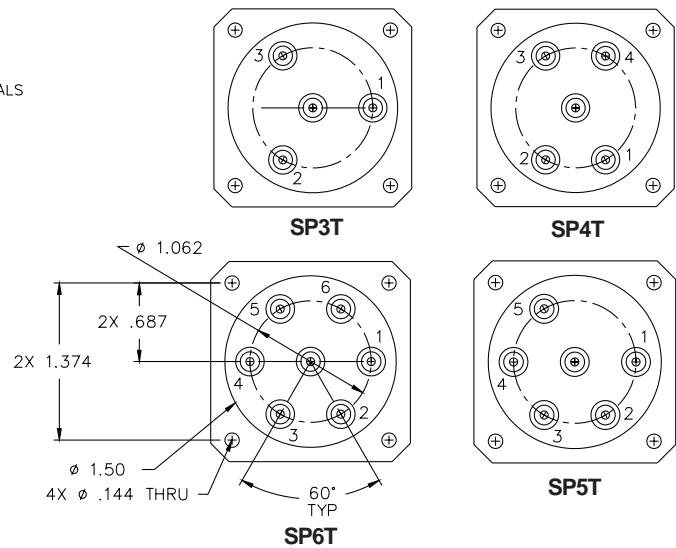
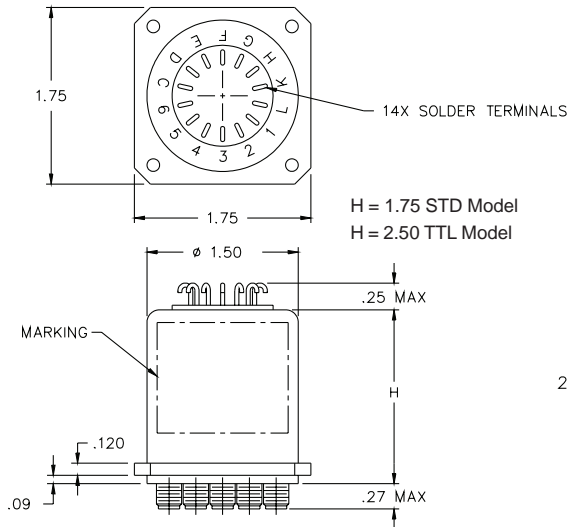
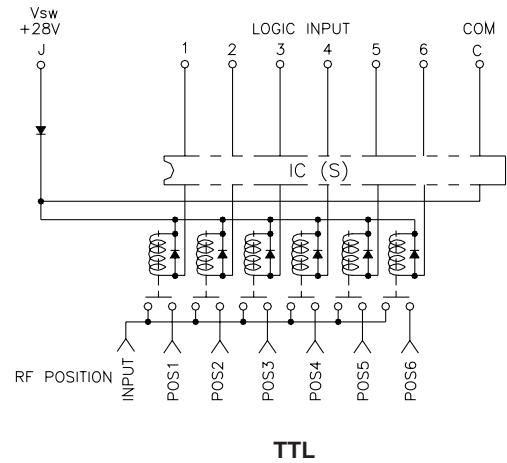
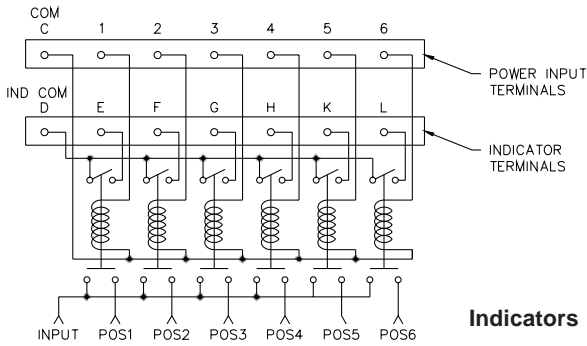
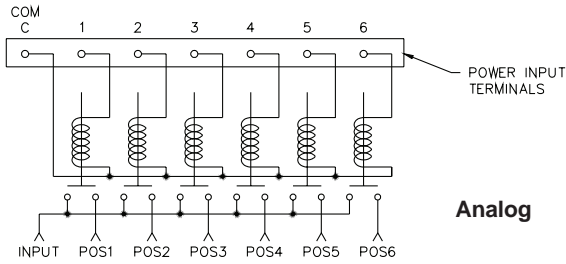
www.teledynecoax.com  
 email: coax@teledyne.com

Tel: (800) 351-7368  
 10/2007

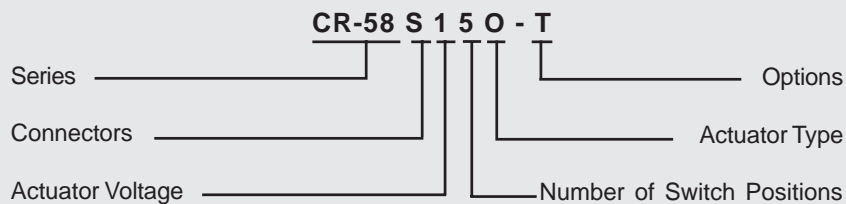
# Elite CR-58

## Multi-Throw DC-26.5GHz

### Normally Open



### Part Numbering System for CR-58 (Normally Open)



Connector	Actuator Voltage	Number of Positions	Actuator Type	Options
S: SMA Female	1: 28Vdc Normally Open 2: 15Vdc Normally Open 3: 12Vdc Normally Open	3: SP3T 4: SP4T 5: SP5T 6: SP6T	O: No Indicator Contacts C: Indicator Contacts	T: TTL Drivers with Diodes R: Positive + Common TD: TTL Driver with Decoder

For other options contact Factory