

### FEATURES

- Complete supervisory and sequencing solution for up to 8 supplies**
- 8 supply fault detectors enable supervision of supplies to better than 1% accuracy**
- 4 selectable input attenuators allow supervision:**
  - Supplies up to 14.4 V on VH
  - Supplies up to 6 V on VP1–3
- 4 dual-function inputs, VX1–4**
  - High impedance input to supply fault detector with thresholds between 0.573 V and 1.375 V
  - General-purpose logic input
- 8 programmable output drivers (PDO1–8):**
  - Open collector with external pull-up
  - Push/pull output, driven to VDDCAP or VPn
  - Open collector with weak pull-up to VDDCAP or VPn
  - Internally charge-pumped high drive for use with external N-FET (PDO1–6 only)
- Sequencing engine (SE) implements state machine control of PDO outputs:**
  - State changes conditional on input events
  - Enables complex control of boards
  - Power-up and power-down sequence control
  - Fault event handling
  - Interrupt generation on warnings
  - Watchdog function can be integrated in SE
  - Program software control of sequencing through SMBus
- Device powered by the highest of VP1–3, VH for improved redundancy**
- User EEPROM: 256 bytes**
- Industry-standard 2-wire bus interface (SMBus)**
- Guaranteed PDO low with VH, VPn = 1.2 V**
- 32-lead 7 mm × 7 mm LQFP package**

### FUNCTIONAL BLOCK DIAGRAM

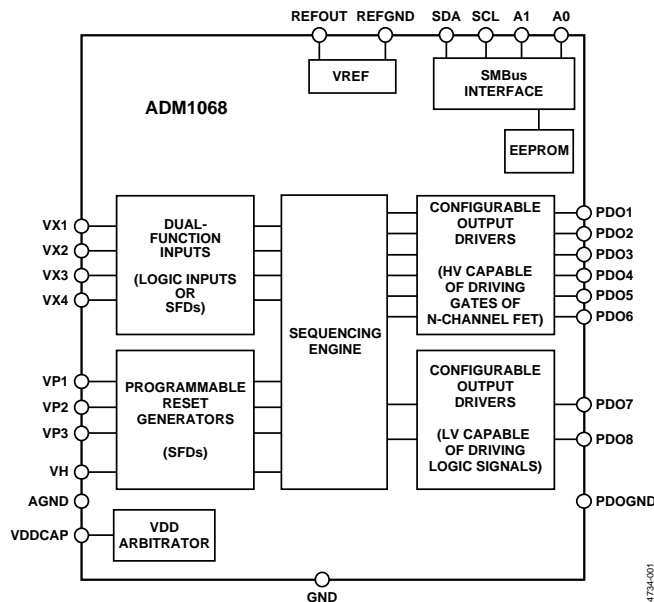


Figure 1.

### APPLICATIONS

- Central office systems
- Servers/routers
- Multivoltage system line cards
- DSP/FPGA supply sequencing
- In-circuit testing of margined supplies

### GENERAL DESCRIPTION

The ADM1068 is a configurable supervisory/sequencing device that offers a single-chip solution for supply monitoring and sequencing in multiple supply systems.

(continued on Page 3)

### Rev. PrB

Information furnished by Analog Devices is believed to be accurate and reliable. However, no responsibility is assumed by Analog Devices for its use, nor for any infringements of patents or other rights of third parties that may result from its use. Specifications subject to change without notice. No license is granted by implication or otherwise under any patent or patent rights of Analog Devices. Trademarks and registered trademarks are the property of their respective owners.

## TABLE OF CONTENTS

|   |    |   |    |
|---|----|---|----|
| General Description .....                               | 3  | Warnings.....                               | 15 |
| Specifications.....                                     | 4  | SMBus Jump/Unconditional Jump .....         | 15 |
| Pin Configuration and Function Descriptions.....        | 6  | Sequencing Engine Application Example ..... | 16 |
| Absolute Maximum Ratings.....                           | 7  | Sequence Detector.....                      | 17 |
| Thermal Characteristics .....                           | 7  | Monitoring Fault Detector .....             | 17 |
| ESD Caution.....  | 7  | Timeout Detector .....                      | 17 |
| Typical Performance Characteristics .....               | 8  | Fault Reporting.....                        | 17 |
| Powering the ADM1068 .....                              | 10 | Applications Diagram .....                  | 18 |
| Inputs.....   | 11 | Communicating with the ADM1068.....         | 19 |
| Supply Supervision.....                                 | 11 | Configuration Download at Power-Up.....     | 19 |
| Programming the Supply Fault Detectors.....             | 11 | Updating the Configuration .....            | 19 |
| Input Comparator Hysteresis.....                        | 12 | Updating the Sequencing Engine.....         | 20 |
| Input Glitch Filtering .....                            | 12 | Internal Registers.....                     | 20 |
| Supply Supervision with VXn Inputs.....                 | 12 | EEPROM .....                                | 20 |
| VXn Pins as Digital Inputs.....                         | 13 | Serial Bus Interface.....                   | 20 |
| Outputs .....   | 14 | Write Operations.....                       | 22 |
| Supply Sequencing through Configurable Output Drivers.. | 14 | Read Operations.....                        | 24 |
| Sequencing Engine .....                                 | 15 | Outline Dimensions .....                    | 26 |
| Overview.....   | 15 | Ordering Guide .....                        | 26 |

## REVISION HISTORY

11/04—Preliminary PrB: Preliminary Version

# GENERAL DESCRIPTION

(continued from Page 1)

The device provides up to eight programmable inputs for monitoring under, over, or out-of-window faults on up to eight supplies. In addition, eight programmable outputs can be used as logic enables. Six of them can also provide up to a 12 V output for driving the gate of an N-channel FET, which can be placed in the path of a supply.

The logical core of the device is a sequencing engine. This state-machine-based construction provides up to 63 different states. This design enables very flexible sequencing of the outputs, based on the condition of the inputs.

The device is controlled via configuration data that can be programmed into an EEPROM. The whole configuration can be programmed using an intuitive GUI-based software package provided by ADI.

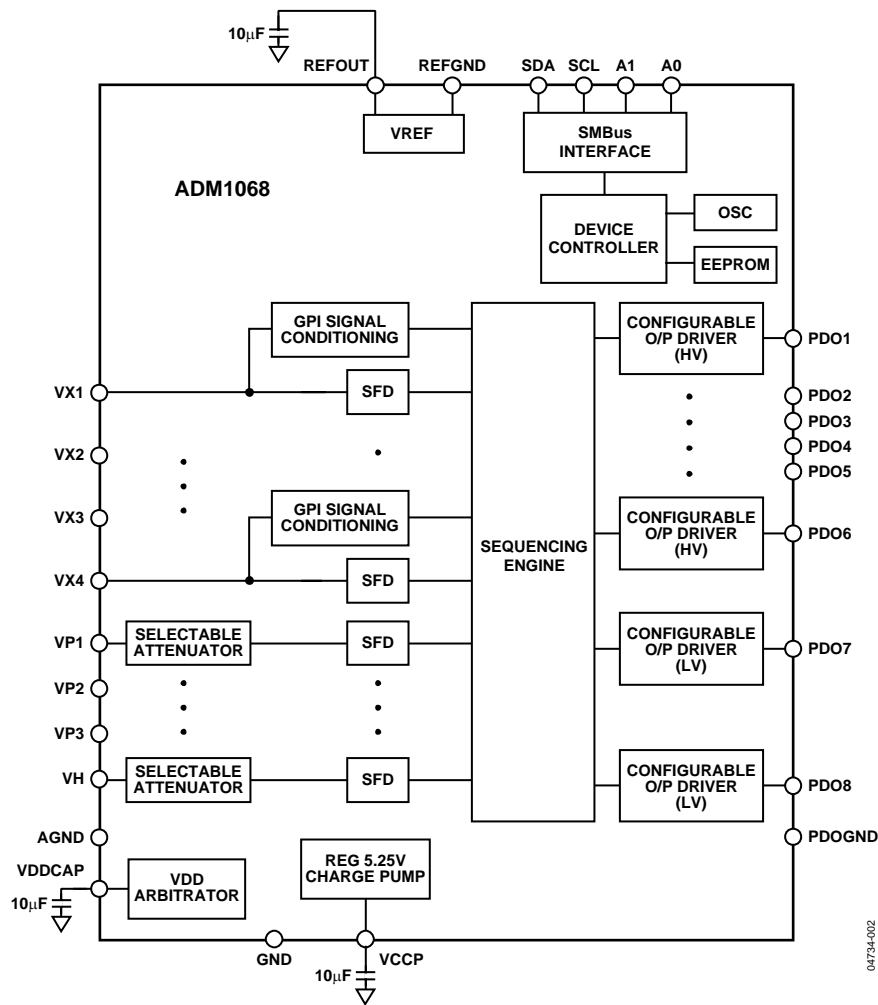


Figure 2. Detailed Block Diagram

## SPECIFICATIONS

V<sub>H</sub> = 3.0 V to 14.4 V<sup>1</sup>, V<sub>Pn</sub> = 3.0 V to 6.0 V<sup>1</sup>, T<sub>A</sub> = -40°C to +85°C, unless otherwise noted.

Table 1.

| Parameter  | Min   | Typ   | Max   | Unit | Test Conditions/Comments  |
|--|-------|-------|-------|------|---|
| <b>POWER SUPPLY ARBITRATION</b>                    |       |       |       |      |   |
| V <sub>H</sub> , V <sub>Pn</sub>                   | 3.0   |       |       | V    | Minimum supply required on one of V <sub>Pn</sub> , V <sub>H</sub>                    |
| V <sub>P</sub>                                     |       |       | 6.0   | V    | Maximum V <sub>DDCAP</sub> = 5.1 V, typical   |
| V <sub>H</sub>                                     |       |       | 14.4  | V    | V <sub>DDCAP</sub> = 4.75 V   |
| V <sub>DDCAP</sub>                                 | 2.7   | 4.75  | 5.4   | V    | Regulated LDO output  |
| C <sub>VDDCAP</sub>                                | 10    |       |       | μF   | Minimum recommended decoupling capacitance  |
| <b>POWER SUPPLY</b>                                |       |       |       |      |   |
| Supply Current, I <sub>VH</sub> , I <sub>VPn</sub> |       | 4.2   | 6     | mA   | V <sub>DDCAP</sub> = 4.75 V, PDO1–8 off   |
| Additional Currents                                |       |       |       |      |   |
| All PDO FET Drivers On                             |       | 1     |       | mA   | V <sub>DDCAP</sub> = 4.75 V, PDO1–6 loaded with 1 μA each, PDO7–8 off                 |
| Current Available from V <sub>DDCAP</sub>          |       |       | 2     | mA   | Maximum additional load that can be drawn from all PDO pull-ups to V <sub>DDCAP</sub> |
| EEPROM Erase Current                               |       | 10    |       | mA   | 1 ms duration only, V <sub>DDCAP</sub> = 3 V  |
| <b>SUPPLY FAULT DETECTORS</b>                      |       |       |       |      |   |
| <b>V<sub>H</sub> Pin</b>                           |       |       |       |      |   |
| Input Attenuator Error                             |       | ±0.05 |       | %    | Midrange  |
|  |       | ±0.05 |       | %    | High range  |
| Detection Ranges                                   |       |       |       |      |   |
| High Range   | 6     |       | 14.4  | V    |   |
| Midrange   | 2.5   |       | 6     | V    |   |
| <b>V<sub>Pn</sub> Pins</b>                         |       |       |       |      |   |
| Input Attenuator Error                             |       |       | ±0.1  | %    | Low range and midrange  |
| Detection Ranges                                   |       |       |       |      |   |
| Midrange   | 2.5   |       | 6     | V    |   |
| Low Range  | 1.25  |       | 3     | V    |   |
| Ultralow Range                                     | 0.573 |       | 1.375 | V    | No input attenuation error  |
| <b>V<sub>X</sub> Pins</b>                          |       |       |       |      |   |
| Input Impedance                                    | 1     |       |       | MΩ   |   |
| Detection Ranges                                   |       |       |       |      |   |
| Ultralow Range                                     | 0.573 |       | 1.375 | V    | No input attenuation error  |
| Absolute Accuracy                                  |       |       | ±1    | %    | V <sub>REF</sub> error + DAC nonlinearity + comparator offset error                   |
| Threshold Resolution                               |       | 8     |       | Bits |   |
| Digital Glitch Filter                              |       | 0     |       | μs   | Minimum programmable filter length  |
|  |       | 100   |       | μs   | Maximum programmable filter length  |
| <b>REFERENCE OUTPUT</b>                            |       |       |       |      |   |
| Reference Output Voltage                           | 2.043 | 2.048 | 2.053 | V    | No load   |
| Load Regulation                                    |       | -0.25 |       | mV   | Sourcing current, I <sub>DAC</sub> MAX = -100 μA                                      |
|  |       | 0.25  |       | mV   | Sinking current, I <sub>DAC</sub> MAX = 100 μA  |
| Minimum Load Capacitance                           | 1     |       |       | μF   | Capacitor required for decoupling, stability  |
| Load Regulation                                    |       | 2     |       | mV   | Per 100 μA  |
| PSRR   |       | 60    |       | dB   | dc  |

| Parameter                                       | Min            | Typ  | Max  | Unit | Test Conditions/Comments   |
|---|----------------|------|------|------|--|
| <b>PROGRAMMABLE DRIVER OUTPUTS</b>              |                |      |      |      |  |
| High Voltage (Charge Pump) Mode (PDO1–6)        |                |      |      |      |  |
| Output Impedance                                |                | 500  |      | kΩ   |  |
| $V_{OH}$  | 11             | 12.5 | 14   | V    | $I_{OH} = 0$   |
|   | 10.5           | 12   | 13.5 | V    | $I_{OH} = 1 \mu A$   |
| $I_{OUTAVG}$                                    |                | 20   |      | μA   | $2 V < V_{OH} < 7 V$   |
| Standard (Digital Output) Mode (PDO1–8)         |                |      |      |      |  |
| $V_{OH}$  | 2.4            |      | 4.5  | V    | $V_{PU}$ (pull-up to VDDCAP or $V_{PN}$ ) = 2.7 V, $I_{OH} = 0.5$ mA   |
|   |                |      |      | V    | $V_{PU}$ to $V_{PN} = 6.0$ V, $I_{OH} = 0$ mA  |
|   | $V_{PU} - 0.3$ |      |      | V    | $V_{PU} \leq 2.7$ V, $I_{OH} = 0.5$ mA   |
| $V_{OL}$  | 0              |      | 0.50 | V    | $I_{OL} = 20$ mA   |
| $I_{OL}^2$                                      |                |      | 20   | mA   | Maximum sink current per PDO pin   |
| $I_{SINK}^2$                                    |                |      | 60   | mA   | Maximum total sink for all PDOs  |
| $R_{PULL-UP}$                                   |                | 20   |      | kΩ   | Internal pull-up   |
| $I_{SOURCE} (VPn)^2$                            |                |      | 2    | mA   | Current load on any VPn pull-ups, that is, total source current available through any number of PDO pull-up switches configured onto any one |
| Three-State Output Leakage Current              |                |      | 10   | μA   | $V_{PDO} = 14.4$ V   |
| Oscillator Frequency                            | 90             | 100  | 110  | kHz  | All on-chip time delays derived from this clock  |
| <b>DIGITAL INPUTS (VXn, A0, A1)</b>             |                |      |      |      |  |
| Input High Voltage, $V_{IH}$                    | 2.0            |      |      | V    | Maximum $V_{IN} = 5.5$ V   |
| Input Low Voltage, $V_{IL}$                     |                |      | 0.8  | V    | Maximum $V_{IN} = 5.5$ V   |
| Input High Current, $I_{IH}$                    | -1             |      |      | μA   | $V_{IN} = 5.5$ V   |
| Input Low Current, $I_{IL}$                     |                |      | 1    | μA   | $V_{IN} = 0$   |
| Input Capacitance                               |                | 5    |      | pF   |  |
| Programmable Pull-Down Current, $I_{PULL-DOWN}$ |                | 20   |      | μA   | $V_{DDCAP} = 4.75$ , $T_A = 25^\circ C$ , if known logic state is required   |
| <b>SERIAL BUS DIGITAL INPUTS (SDA, SCL)</b>     |                |      |      |      |  |
| Input High Voltage, $V_{IH}$                    | 2.0            |      |      | V    |  |
| Input Low Voltage, $V_{IL}$                     |                |      | 0.8  | V    |  |
| Output Low Voltage, $V_{OL}^2$                  |                |      | 0.4  | V    | $I_{OUT} = -3.0$ mA  |
| <b>SERIAL BUS TIMING</b>                        |                |      |      |      |  |
| Clock Frequency, $f_{SCLK}$                     |                |      | 400  | kHz  |  |
| Bus Free Time, $t_{BUF}$                        | 4.7            |      |      | μs   |  |
| Start Setup Time, $t_{SU,STA}$                  | 4.7            |      |      | μs   |  |
| Start Hold Time, $t_{HD,STA}$                   | 4              |      |      | μs   |  |
| SCL Low Time, $t_{LOW}$                         | 4.7            |      |      | μs   |  |
| SCL High Time, $t_{HIGH}$                       | 4              |      |      | μs   |  |
| SCL, SDA Rise Time, $t_r$                       |                |      | 1000 | μs   |  |
| SCL, SDA Fall Time, $t_f$                       |                |      | 300  | μs   |  |
| Data Setup Time, $t_{SU,DAT}$                   | 250            |      |      | ns   |  |
| Data Hold Time, $t_{HD,DAT}$                    | 5              |      |      | ns   |  |
| Input Low Current, $I_{IL}$                     |                |      | 1    | μA   | $V_{IN} = 0$   |
| <b>SEQUENCING ENGINE TIMING</b>                 |                |      |      |      |  |
| State Change Time                               |                | 10   |      | μs   |  |

<sup>1</sup> At least one of the VH, VP1–3 pins must be  $\geq 3.0$  V to maintain the device supply on VDDCAP.

<sup>2</sup> Specification is not production tested, but is supported by characterization data at initial product release.

## PIN CONFIGURATION AND FUNCTION DESCRIPTIONS

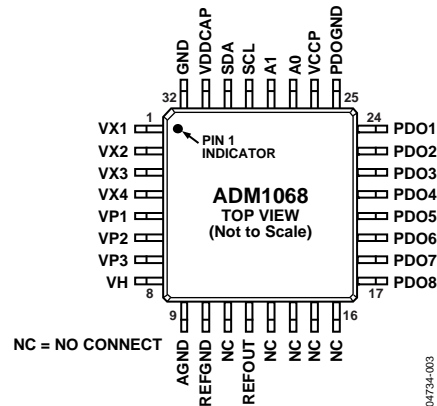


Figure 3. LQFP Pin Configuration

Table 2. Pin Function Descriptions

| Pin No.   | Mnemonic | Description   |
|-----------|----------|---|
| 11, 13-16 | NC       | No connection.  |
| 1-4       | VX1-4    | High Impedance Inputs to Supply Fault Detectors. Fault thresholds can be set from 0.573 V to 1.375 V. Alternatively, these pins can be used as general-purpose digital inputs.  |
| 5-7       | VP1-3    | Low Voltage Inputs to Supply Fault Detectors. Three input ranges can be set by altering the input attenuation on a potential divider connected to these pins, the output of which connects to a supply fault detector. These pins allow thresholds from 2.5 V to 6.0 V, 1.25 V to 3.00 V, and 0.573 V to 1.375 V. |
| 8         | VH       | High Voltage Input to Supply Fault Detectors. Three input ranges can be set by altering the input attenuation on a potential divider connected to this pin, the output of which connects to a supply fault detector. This pin allows thresholds from 6.0 V to 14.4 V and 2.5 V to 6.0 V.                          |
| 9         | AGND     | Ground Return for Input Attenuators.  |
| 10        | REFGND   | Ground Return for On-Chip Reference Circuits.   |
| 12        | REFOUT   | 2.048 V Reference Output.   |
| 17-24     | PDO8-1   | Programmable Output Drivers.  |
| 25        | PDOGND   | Ground Return for Output Drivers.   |
| 26        | VCCP     | Central Charge-Pump Voltage of 5.25 V. A reservoir capacitor must be connected between this pin and GND.  |
| 27        | A0       | Logic Input. This pin sets the seventh bit of the SMBus interface address.  |
| 28        | A1       | Logic Input. This pin sets the sixth bit of the SMBus interface address.  |
| 29        | SCL      | SMBus Clock Pin. Open-drain output requires external resistive pull-up.   |
| 30        | SDA      | SMBus Data I/O Pin. Open-drain output requires external resistive pull-up.  |
| 31        | VDDCAP   | Device Supply Voltage. Linearly regulated from the highest of the VP1-3, VH pins to a typical of 4.75 V.  |
| 32        | GND      | Supply Ground.  |

## ABSOLUTE MAXIMUM RATINGS

Table 3.

| Parameter   | Rating           |
|---|------------------|
| Voltage on VH Pin                                 | 16 V             |
| Voltage on VP Pins                                | 7 V              |
| Voltage on VX Pins                                | -0.3 V to +6.5 V |
| Input Current at Any Pin                          | ±5 mA            |
| Package Input Current                             | ±20 mA           |
| Maximum Junction Temperature (T <sub>J</sub> max) | 150°C            |
| Storage Temperature Range                         | -65°C to +150°C  |
| Lead Temperature, Soldering                       |                  |
| Vapor Phase, 60 s                                 | 215°C            |
| ESD Rating, All Pins                              | 2000 V           |

Stresses above those listed under Absolute Maximum Ratings may cause permanent damage to the device. This is a stress rating only; functional operation of the device at these or any other conditions above those indicated in the operational section of this specification is not implied. Exposure to absolute maximum rating conditions for extended periods may affect device reliability.

### THERMAL CHARACTERISTICS

32-lead LQFP package:  $\theta_{JA} = 17^{\circ}\text{C}/\text{W}$

### ESD CAUTION

ESD (electrostatic discharge) sensitive device. Electrostatic charges as high as 4000 V readily accumulate on the human body and test equipment and can discharge without detection. Although this product features proprietary ESD protection circuitry, permanent damage may occur on devices subjected to high energy electrostatic discharges. Therefore, proper ESD precautions are recommended to avoid performance degradation or loss of functionality.



TYPICAL PERFORMANCE CHARACTERISTICS

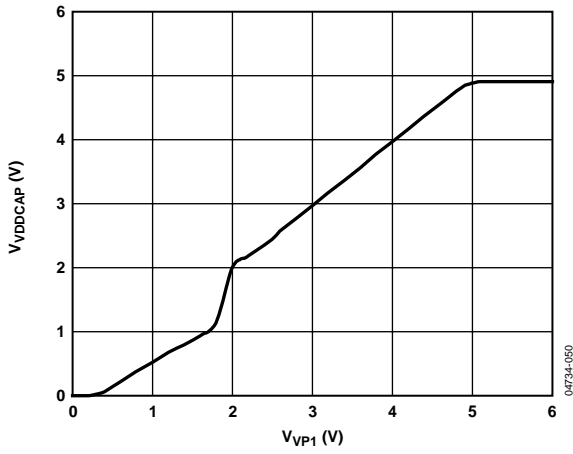


Figure 4.  $V_{VDDCAP}$  vs.  $V_{VP1}$

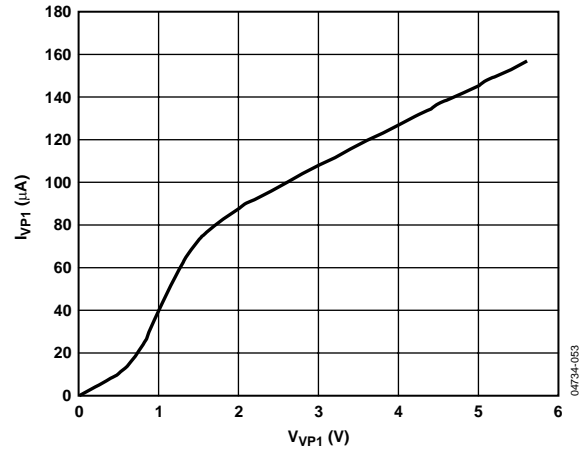


Figure 7.  $I_{VP1}$  vs.  $V_{VP1}$  (VP1 Not as Supply)

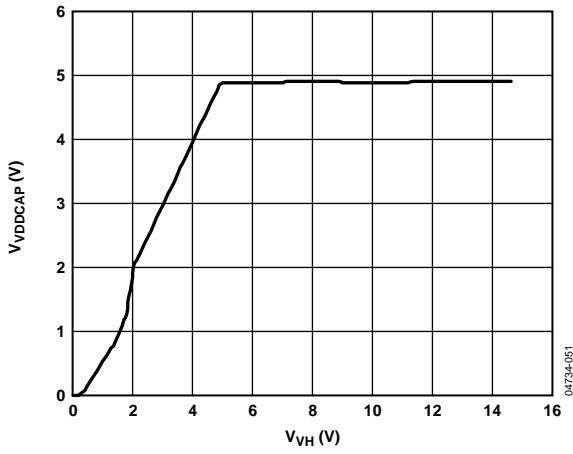


Figure 5.  $V_{VDDCAP}$  vs.  $V_{VH}$

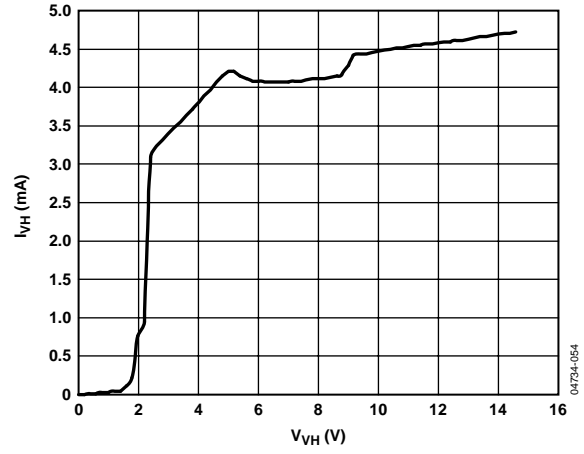


Figure 8.  $I_{VH}$  vs.  $V_{VH}$  (VH as Supply)

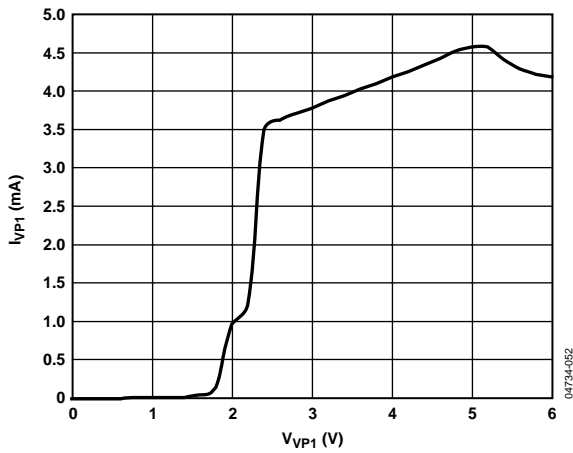


Figure 6.  $I_{VP1}$  vs.  $V_{VP1}$  (VP1 as Supply)

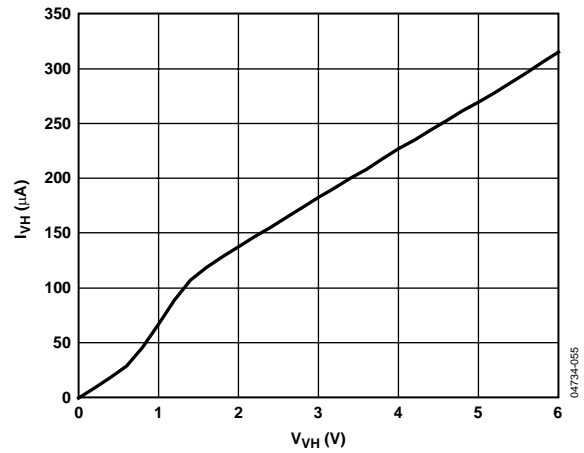


Figure 9.  $I_{VH}$  vs.  $V_{VH}$  (VH Not as Supply)



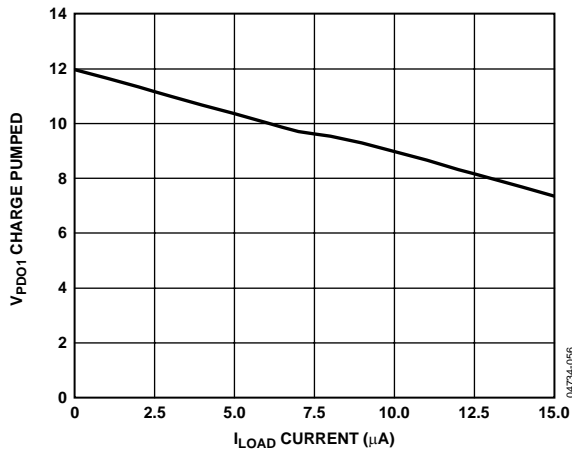


Figure 10. V<sub>PDO1</sub> (FET Drive Mode) vs. I<sub>LOAD</sub>

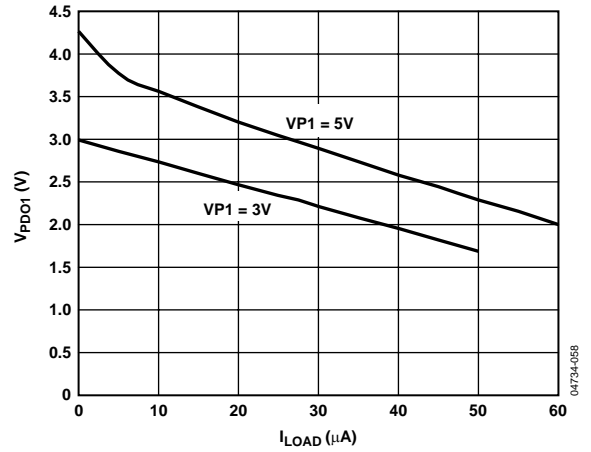


Figure 12. V<sub>PDO1</sub> (Weak Pull-Up to VP) vs. I<sub>LOAD</sub>

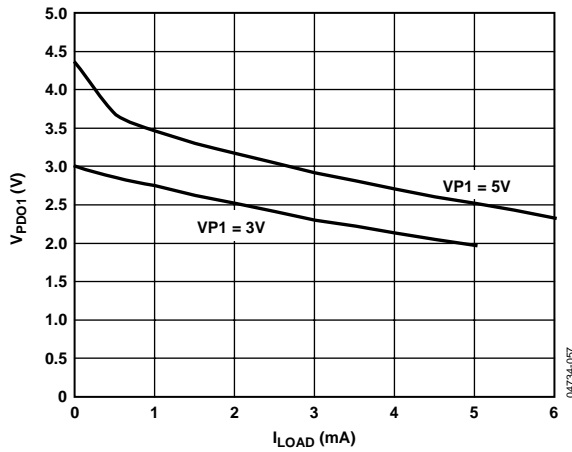


Figure 11. V<sub>PDO1</sub> (Strong Pull-Up VP) vs. I<sub>LOAD</sub>

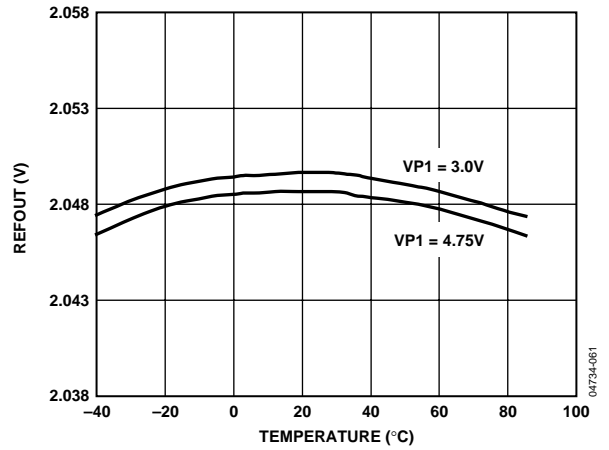


Figure 13. REFOUT vs. Temperature

## POWERING THE ADM1068

The ADM1068 is powered from the highest voltage input on either the positive-only supply inputs (VPn) or the high voltage supply input (VH). This technique offers improved redundancy as the device is not dependent on any particular voltage rail to keep it operational. The same pins are used for supply fault detection (discussed later in the next section). A VDD arbitrator on the device chooses which supply to use. The arbitrator can be considered an OR'ing of four LDOs together. A supply comparator chooses which of the inputs is highest and selects this one to provide the on-chip supply. There is minimal switching loss with this architecture (~0.2 V), resulting in the ability to power the ADM1068 from a supply as low as 3.0 V. Note that the supply on the VXn pins cannot be used to power the device.

An external capacitor to GND is required to decouple the on-chip supply from noise. This capacitor should be connected to the VDDCAP pin, as shown in Figure 14. The capacitor has another use during brownouts (momentary loss of power). Under these conditions, when the input supply (VPn or VH) dips transiently below V<sub>DD</sub>, the synchronous rectifier switch immediately turns off so that it does not pull V<sub>DD</sub> down. The V<sub>DD</sub> cap can then act as a reservoir to keep the device active until the next highest supply takes over the powering of the device. 10  $\mu$ F is recommended for this reservoir/decoupling function.

Note that when two or more supplies are within 100 mV of each other, the supply that takes control of V<sub>DD</sub> first keeps control. For example, if VP1 is connected to a 3.3 V supply, then V<sub>DD</sub> powers up to approximately 3.1 V through VP1. If VP2 is then connected to another 3.3 V supply, VP1 still powers the device, unless VP2 goes 100 mV higher than VP1.

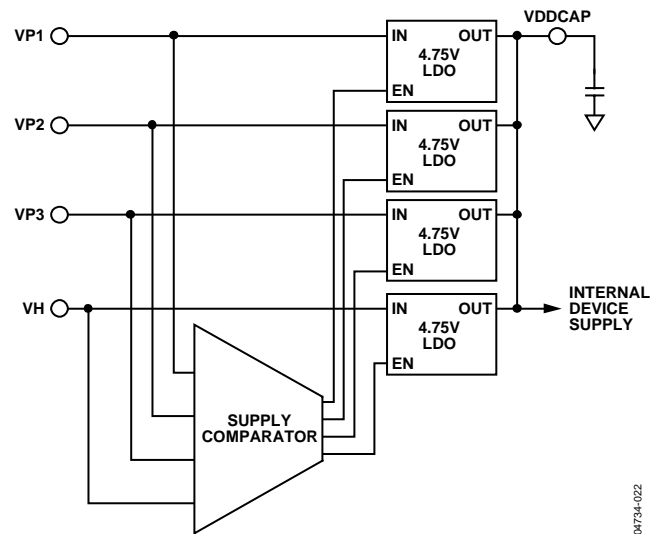


Figure 14. VDD Arbitrator Operation

04734-022

# INPUTS

## SUPPLY SUPERVISION

The ADM1068 has eight programmable inputs. Four of these are dedicated supply fault detectors (SFDs). These dedicated inputs are called VH and VP1–3 by default. The other four inputs are labeled VX1–VX4 and have dual functionality. They can be used as either supply fault detectors, with similar functionality to VH and VP1–3, or CMOS/TTL-compatible logic inputs to the devices. Therefore, the ADM1068 can have up to eight analog inputs, a minimum of four analog inputs and four digital inputs, or a combination. If an input is used as an analog input, it cannot be used as a digital input. Therefore, a configuration requiring eight analog inputs has no digital inputs available. Table 5 shows the details of each of the inputs.

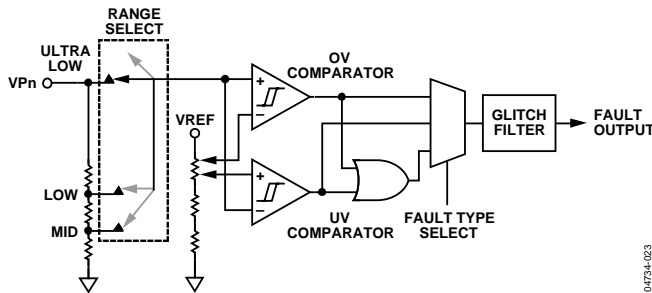


Figure 15. Supply Fault Detector Block

## PROGRAMMING THE SUPPLY FAULT DETECTORS

The ADM1068 has up to eight supply fault detectors (SFDs) on its eight input channels. These highly programmable reset generators enable the supervision of up to eight supply voltages. The supplies can be as low as 0.573 V and as high as 14.4 V. The inputs can be configured to detect an undervoltage fault (the input voltage droops below a preprogrammed value), an overvoltage fault (the input voltage rises above a preprogrammed value) or an out-of-window fault (undervoltage or overvoltage). The thresholds can be programmed to an 8-bit resolution in registers provided in the ADM1068. This translates to a voltage resolution that is dependent on the range selected.

Table 5. Input Functions, Thresholds, and Ranges

| Input | Function              | Voltage Range (V) | Maximum Hysteresis | Voltage Resolution (mV) | Glitch Filter (µs) |
|-------|-----------------------|-------------------|--------------------|-------------------------|--------------------|
| VH    | High V Analog Input   | 2.5–6.0           | 425 mV             | 13.7                    | 0–100              |
|       |                       | 4.8–14.4          | 1.16 V             | 37.6                    | 0–100              |
| VPn   | Positive Analog Input | 0.573–1.375       | 97.5 mV            | 3.14                    | 0–100              |
|       |                       | 1.25–3.00         | 212 mV             | 6.8                     | 0–100              |
|       |                       | 2.5–6.0           | 425 mV             | 13.7                    | 0–100              |
| VXn   | High Z Analog Input   | 0.573–1.375       | 97.5 mV            | 3.14                    | 0–100              |
|       | Digital Input         | 0–5               | N/A                | N/A                     | 0–100              |

The resolution is given by

$$\text{Step Size} = \text{Threshold Range}/255$$

Therefore, if the high range is selected on VH, the step size can be calculated as follows:

$$(14.4 \text{ V} - 4.8 \text{ V})/255 = 37.6 \text{ mV}$$

Table 4 lists the upper and lower limit of each available range, the bottom of each range ( $V_B$ ), and the range itself ( $V_R$ ).

Table 4. Voltage Range Limits

| Voltage Range (V) | $V_B$ (V) | $V_R$ (V) |
|-------------------|-----------|-----------|
| 0.573 to 1.375    | 0.573     | 0.802     |
| 1.25 to 3.00      | 1.25      | 1.75      |
| 2.5 to 6.0        | 2.5       | 3.5       |
| 4.8 to 14.4       | 4.8       | 9.6       |

The threshold value required is given by

$$V_T = (V_R \times N)/255 + V_B$$

where:

$V_T$  is the desired threshold voltage (UV or OV).

$V_R$  is the voltage range.

$N$  is the decimal value of the 8-bit code.

$V_B$  is the bottom of the range.

Reversing the equation, the code for a desired threshold is given by

$$N = 255 \times (V_T - V_B)/V_R$$

For example, if the user wants to set a 5 V OV threshold on VP1, the code to be programmed in the PSIOVTH register (discussed in the AN-698 application note) is given by

$$N = 255 \times (5 - 2.5)/3.5$$

Therefore,  $N = 182$  (1011 0110 or 0xB6).

## INPUT COMPARATOR HYSTERESIS

The UV and OV comparators shown in Figure 15 are always looking at VPn. To avoid chattering (multiple transitions when the input is very close to the set threshold level), these comparators have digitally programmable hysteresis. The hysteresis can be programmed up to the values shown in Table 5.

The hysteresis is added after a supply voltage goes out of tolerance. Therefore, the user can program how much above the UV threshold the input must rise again before a UV fault is deasserted. Similarly, the user can program how much below the OV threshold an input must fall again before an OV fault is deasserted.

The hysteresis figure is given by

$$V_{HYST} = V_R \times N_{THRESH}/255$$

where:

$V_{HYST}$  is the desired hysteresis voltage.

$N_{THRESH}$  is the decimal value of the 5-bit hysteresis code.

Note that  $N_{THRESH}$  has a maximum value of 31. The maximum hysteresis for the ranges is listed in Table 5.

## INPUT GLITCH FILTERING

The final stage of the SFDs is a glitch filter. This block provides time-domain filtering on the output of the SFD comparators. This allows the user to remove any spurious transitions such as supply bounce at turn-on. The glitch filter function is additional to the digitally programmable hysteresis of the SFD comparators. The glitch filter timeout is programmable up to 100  $\mu$ s.

For example, when the glitch filter timeout is 100  $\mu$ s, any pulses appearing on the input of the glitch filter block that are less than 100  $\mu$ s in duration are prevented from appearing on the output of the glitch filter block. Any input pulse that is longer than 100  $\mu$ s does appear on the output of the glitch filter block. The output is delayed with respect to the input by 100  $\mu$ s. The filtering process is shown in Figure 16.

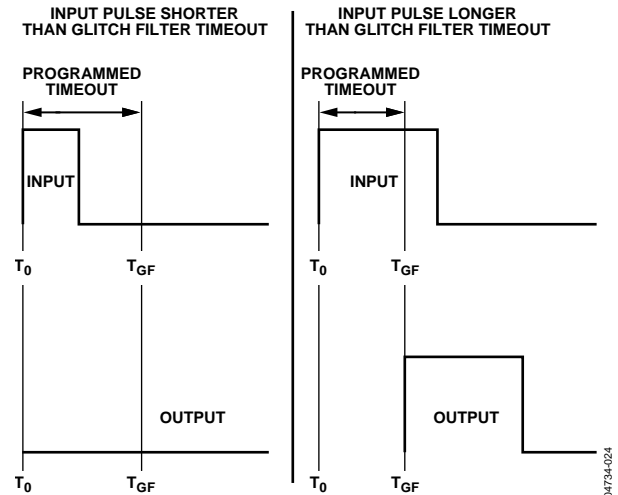


Figure 16. Input Glitch Filter Function

## SUPPLY SUPERVISION WITH VXn INPUTS

The VXn inputs have two functions. They can be used as either supply fault detectors or digital logic inputs. When selected as an analog (SFD) input, the VXn pins have very similar functionality to the VH and VPn pins. The major difference is that the VXn pins have only one input range: 0.573 V to 1.375 V. Therefore, these inputs can directly supervise only the very low supplies. However, the input impedance of the VXn pins is high, allowing an external resistor divide network to be connected to the pin. Thus, any supply can be potentially divided down into the input range of the VXn pin and supervised. This enables the ADM1068 to monitor other supplies such as +24 V, +48 V, and -5 V.

An additional supply supervision function is available when the VXn pins are selected as digital inputs. In this case, the analog function is available as a second detector on each of the dedicated analog inputs, VP1–3 and VH. The analog function of VX1 is mapped to VP1, VX2 is mapped to VP2, and so on. VX4 is mapped to VH. In this case, these SFDs can be viewed as a secondary or warning SFD.

The secondary SFDs are fixed to the same input range as the primary SFD. They are used to indicate warning levels rather than failure levels. This allows faults and warnings to be generated on a single supply using only one pin. For example, if VP1 is set to output a fault if a 3.3 V supply droops to 3.0 V, VX1 can be set to output a warning at 3.1 V. Warning outputs are available for readback from the status registers. They are also ORed together and fed into the sequencing engine (SE), allowing warnings to generate interrupts on the PDOs. Therefore, in the example above, if the supply droops to 3.1 V, a warning is generated, and remedial action can be taken before the supply drops out of tolerance.

### VXn PINS AS DIGITAL INPUTS

As mentioned previously, the VXn input pins on the ADM1068 have dual functionality. The second function is as a digital input to the device. Therefore, the ADM1068 can be configured for up to four digital inputs. These inputs are TTL/CMOS-compatible. Standard logic signals can be applied to the pins: RESET from reset generators, PWRGOOD signals, fault flags, manual resets, and so on. These signals are available as inputs to the SE, and can be used to control the status of the PDOs. The inputs can be configured to detect either a change in level or an edge.

When configured for level detection, the output of the digital block is a buffered version of the input. When configured for edge detection, once the logic transition is detected, a pulse of programmable width is output from the digital block. The width is programmable from 0  $\mu$ s to 100  $\mu$ s.

The digital blocks feature the same glitch filter function that is available on the SFDs. This enables the user to ignore spurious transitions on the inputs. For example, the filter can be used to debounce a manual reset switch.

When configured as digital inputs, each of the VXn pins has a weak (10  $\mu$ A) pull-down current source available for placing the input in a known condition, even if left floating. The current source, if selected, weakly pulls the input to GND.

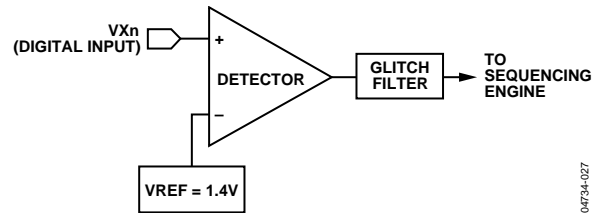


Figure 17. VXn Digital Input Function

04734-027

## OUTPUTS

### SUPPLY SEQUENCING THROUGH CONFIGURABLE OUTPUT DRIVERS

Supply sequencing is achieved with the ADM1068 using the programmable driver outputs (PDOs) on the device as control signals for supplies. The output drivers can be used as logic enables or as FET drivers.

The sequence in which the PDOs are asserted (and, therefore, the supplies are turned on) is controlled by the sequencing engine (SE). The SE determines what action is to be taken with the PDOs based on the condition of the inputs of the ADM1068. Therefore, the PDOs can be set up to assert when the SFDs are in tolerance, the correct input signals are received on the VXn digital pins, no warnings are received from any of the inputs of the device, and so on. The PDOs can be used for a variety of functions. The primary function is to provide enable signals for LDOs or dc/dc converters, which generate supplies locally on a board. The PDOs can also be used to provide a POWER\_GOOD signal when all the SFDs are in tolerance, or a RESET output if one of the SFDs goes out of specification (this can be used as a status signal for a DSP, FPGA, or other microcontroller).

The PDOs can be programmed to pull up to a number of different options. The outputs can be programmed as follows:

- Open-drain (allowing the user to connect an external pull-up resistor)
- Open-drain with weak pull-up to  $V_{DD}$
- Push/pull to  $V_{DD}$
- Open-drain with weak pull-up to  $V_{Pn}$
- Push/pull to  $V_{Pn}$
- Strong pull-down to GND
- Internally charge-pumped high drive (12 V, PDO1–6 only)

The last option (available only on PDO1–6) allows the user to directly drive a voltage high enough to fully enhance an external N-FET, which is used to isolate, for example, a card-side voltage

from a backplane supply (a PDO can sustain greater than 10.5 V into a 1  $\mu$ A load). The pull-down switches can also be used to drive status LEDs directly.

The data driving each of the PDOs can come from one of three sources. The source can be enabled in the PnPDOCFG configuration register (see the AN-698 application note for details).

The data sources are

- Output from the SE.
- Directly from the SMBus. A PDO can be configured so that the SMBus has direct control over it. This enables software control of the PDOs. Therefore, a microcontroller can be used to initiate a software power-up/power-down sequence.
- On-Chip Clock. A 100 kHz clock is generated on the device. This clock can be made available on any of the PDOs. It can be used, for example, to clock an external device such as an LED.

By default, the PDOs are pulled to GND by a weak (20 k $\Omega$ ) on-chip pull-down resistor. This is also the condition of the PDOs on power-up, until the configuration is downloaded from EEPROM and the programmed setup is latched. The outputs are actively pulled low once a supply of 1 V or greater is on  $V_{Pn}$  or  $V_H$ . The outputs remain high impedance prior to 1 V appearing on  $V_{Pn}$  or  $V_H$ . This provides a known condition for the PDOs during power-up. The internal pull-down can be overdriven with an external pull-up of suitable value tied from the PDO pin to the required pull-up voltage. The 20 k $\Omega$  resistor must be accounted for in calculating a suitable value. For example, if PDO<sub>n</sub> must be pulled up to 3.3 V, and 5 V is available as an external supply, the pull-up resistor value is given by

$$3.3 \text{ V} = 5 \text{ V} \times 20 \text{ k}\Omega / (R_{UP} + 20 \text{ k}\Omega)$$

Therefore,

$$R_{UP} = (100 \text{ k}\Omega - 66 \text{ k}\Omega) / 3.3 = 10 \text{ k}\Omega$$

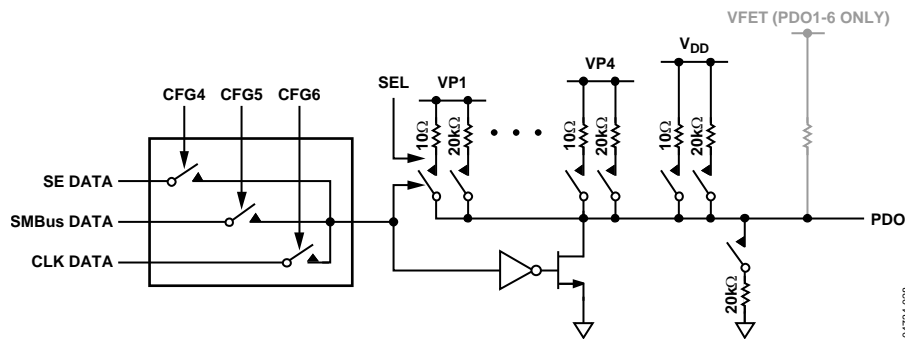


Figure 18. Programmable Driver Output

# SEQUENCING ENGINE

## OVERVIEW

The ADM1068’s sequencing engine (SE) provides the user with powerful and flexible control of sequencing. The SE implements a state machine control of the PDO outputs, with state changes conditional on input events. SE programs can enable complex control of boards such as power-up and power-down sequence control, fault event handling, interrupt generation on warnings, and so on. A watchdog function that verifies the continued operation of a processor clock can be integrated into the SE program. The SE can also be controlled via the SMBus, giving software or firmware control of the board sequencing.

The SE state machine comprises 63 state cells. Each state has the following attributes:

- Monitors signals indicating the status of the eight input pins, VP1 to VP3, VH, and VX1 to VX4.
- Can be entered from any other state.
- Three exit routes move the state machine on to a next state: sequence detection, fault monitoring, and timeout.
- Delay timers for the sequence and timeout blocks can be programmed independently, and change with each state change. The range of timeouts is from 0 ms to 400 ms.
- Output condition of the 8 PDO pins is defined and fixed within a state.

- Transition from one state to the next is made in less than 20 μs, which is the time needed to download a state definition from EEPROM to the SE.

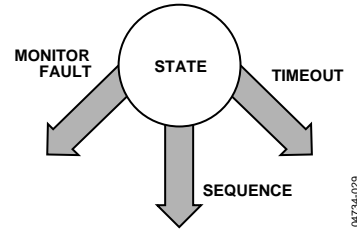


Figure 19. State Cell

The ADM1068 offers up to 63 state definitions. The signals monitored to indicate the status of the input pins are the outputs of the SFDs.

## WARNINGS

The SE also monitors warnings. These warnings can be generated when the ADC readings violate their limit register value or when the secondary voltage monitors on VP1–3 and VH. The warnings are all OR’ed together and are available as a single warning input to each of the three blocks that enable exiting from a state.

## SMBUS JUMP/UNCONDITIONAL JUMP

The SE can be forced to advance to the next state unconditionally. This enables the user to force the SE to advance. Examples of where this might be used include moving to a margining state or debugging a sequence. The SMBus jump or go-to command can be seen as another input to sequence and timeout blocks, which provide an exit from each state.

Table 6. Sample Sequence State Entries

| State  | Sequence                                | Timeout   | Monitor   |
|--------|---|---|---|
| IDLE1  | If VX1 is low , go to state IDLE2.      |   |   |
| IDLE2  | If VP1 is okay, go to state EN3V3.      |   |   |
| EN3V3  | If VP2 is okay, go to state EN2V5.      | If VP2 is not okay after 10 ms, go to state DIS3V3. | If VP1 is not okay, go to state IDLE1.              |
| DIS3V3 | If VX1 is high, go to state IDLE1.      |   |   |
| EN2V5  | If VP3 is okay, go to state PWRGD.      | If VP3 is not okay after 20 ms, go to state DIS2V5. | If VP1 or VP2 is not okay, go to state FSEL2.       |
| DIS2V5 | If VX1 is high, go to state IDLE1.      |   |   |
| FSEL1  | If VP3 is not okay, go to state DIS2V5. |   | If VP1 or VP2 is not okay, go to state FSEL2.       |
| FSEL2  | If VP2 is not okay, go to state DIS3V3. |   | If VP1 is not okay, go to state IDLE1.              |
| PWRGD  | If VX1 is high, go to state DIS2V5.     |   | If VP1, VP2, or VP3 is not okay, go to state FSEL1. |

**SEQUENCING ENGINE APPLICATION EXAMPLE**

The application in this section demonstrates the operation of the SE. Figure 20 shows how the simple building block of a single SE state can be used to build a power-up sequence for a 3-supply system.

Table 7 lists the PDO outputs for each state in the same SE implementation. In this system, the presence of a good 5 V supply on VP1 and the VX1 pin held low are the triggers required for a power-up sequence to start. The sequence intends to turn on the 3.3 V supply next, then the 2.5 V supply (assuming successful turn-on of the 3.3 V supply). Once all three supplies are good, the PWRGD state is entered, where the SE remains until a fault occurs on one of the three supplies, or it is instructed to go through a power-down sequence by VX1 going high.

Faults are dealt with throughout the power-up sequence on a case-by-case basis. The following sections, which describe the individual blocks, use this sample application to demonstrate the state machine's actions.

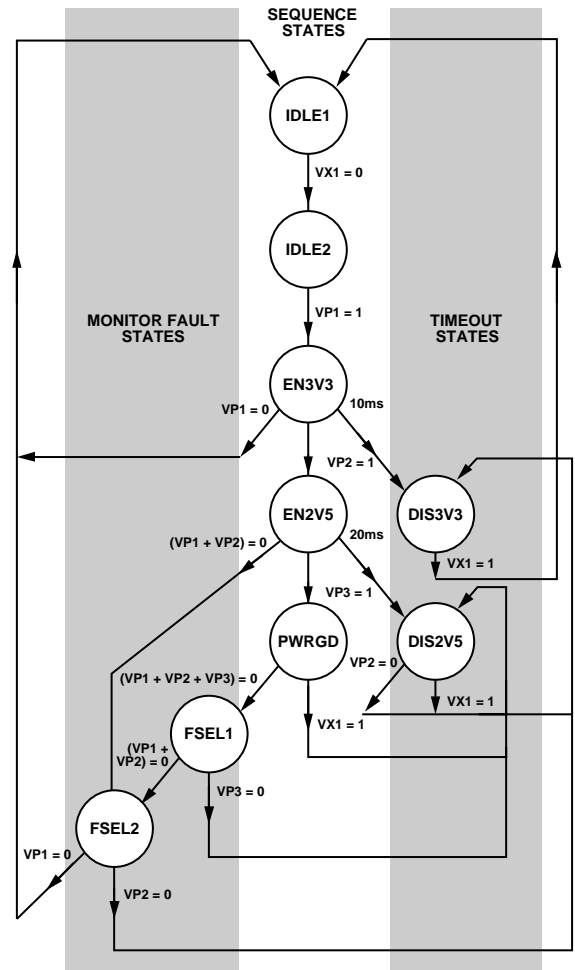


Figure 20. Sample Application Flow Diagram

Table 7. PDO Outputs for Each State

| PDO Outputs  | IDLE1 | IDLE2 | EN3V3 | EN2V5 | DIS3V3 | DIS2V5 | PWRGD | FSEL1 | FSEL2 |
|--------------|-------|-------|-------|-------|--------|--------|-------|-------|-------|
| PDO1 = 3V3ON | 0     | 0     | 1     | 1     | 0      | 1      | 1     | 1     | 1     |
| PDO2 = 2V5ON | 0     | 0     | 0     | 1     | 1      | 0      | 1     | 1     | 1     |
| PDO3 = FAULT | 0     | 0     | 0     | 0     | 1      | 1      | 0     | 1     | 1     |



### SEQUENCE DETECTOR

The sequence detector block is used to detect when a step in a sequence has been completed. It looks for one of the inputs to the SE to change state, and is most often used as the gate on successful progress through a power-up or power-down sequence. A timer block is included in this detector, which can insert delays into a power-up or power-down sequence, if required. Timer delays can be set from 10  $\mu$ s to 400 ms. Figure 21 is a block diagram of the sequence detector.

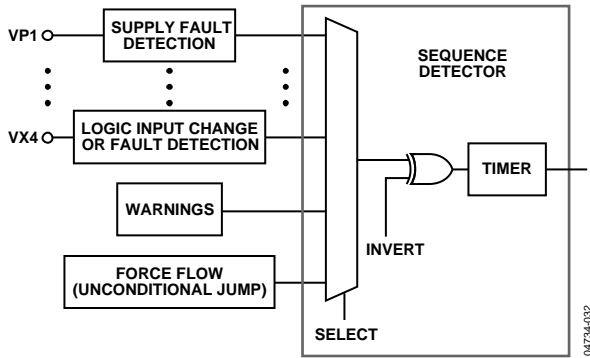


Figure 21. Sequence Detector Block Diagram

The sequence detector can also help to identify monitoring faults. In the sample application shown in Figure 20, the FSEL1 and FSEL2 states first identify which of the VP1, VP2, or VP3 pins has faulted, and then they take the appropriate action.

### MONITORING FAULT DETECTOR

The monitoring fault detector block is used to detect a failure on an input. The logical function implementing this is a wide OR gate, which can detect when an input deviates from its expected condition. The clearest demonstration of the use of this block is in the PWRGD state, where the monitor block indicates that a failure on one or more of the VP1, VP2, or VP3 inputs has occurred.

No programmable delay is available in this block, because the triggering of a fault condition is likely to be caused when a supply falls out of tolerance. In this situation, the user would want to react as quickly as possible. Some latency occurs when moving out of this state, however, because it takes a finite amount of time (~20  $\mu$ s) for the state configuration to download from EEPROM into the SE. Figure 22 is a block diagram of the monitoring fault detector.

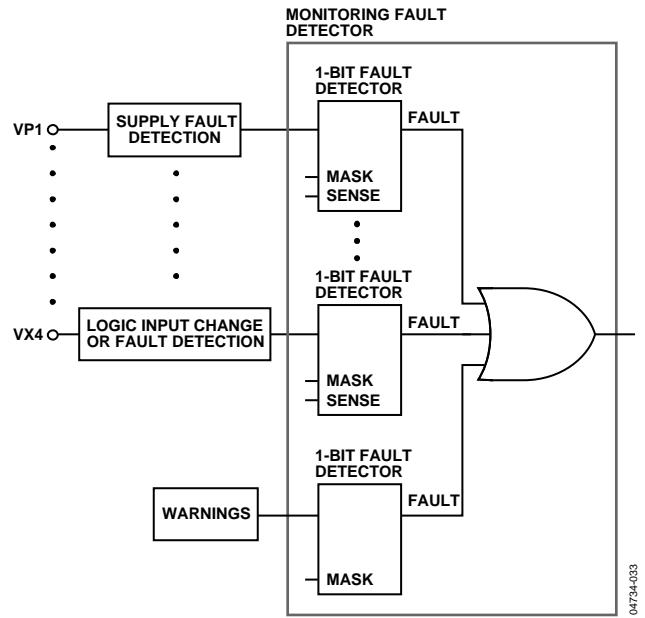


Figure 22. Monitoring Fault Detector Block Diagram

### TIMEOUT DETECTOR

The timeout detector allows the user to trap a failure to make proper progress through a power-up or power-down sequence.

In the sample application shown in Figure 20, the timeout next-state transition is from the EN3V3 and EN2V5 states. For the EN3V3 state, the signal 3V3ON is asserted upon entry to this state (on the PDO1 output pin) to turn on a 3.3 V supply. This supply rail is connected to the VP2 pin, and the sequence detector looks for the VP2 pin to go above its UV threshold, which is set in the supply fault detector (SFD) attached to that pin.

The power-up sequence progresses when this change is detected. If, however, the supply fails (perhaps due to a short circuit overloading this supply), then the timeout block traps the problem. In this example, if the 3.3 V supply fails within 10 ms, then the SE moves to the DIS3V3 state and turns off this supply by bringing PDO1 low. It also indicates that a fault has occurred by taking PDO3 high. Timeout delays of from 100  $\mu$ s to 400 ms can be programmed.

### FAULT REPORTING

The ADM1068 has a fault latch for recording faults. Two registers are set aside for this purpose. A single bit is assigned to each input of the device, and a fault on that input sets the relevant bit. The contents of the fault register can be read out over the SMBus to determine which input(s) faulted. The fault register can be enabled/disabled in each state. This ensures that only real faults are captured and not, for example, undervoltage trips when the SE is executing a power-down sequence.

APPLICATIONS DIAGRAM

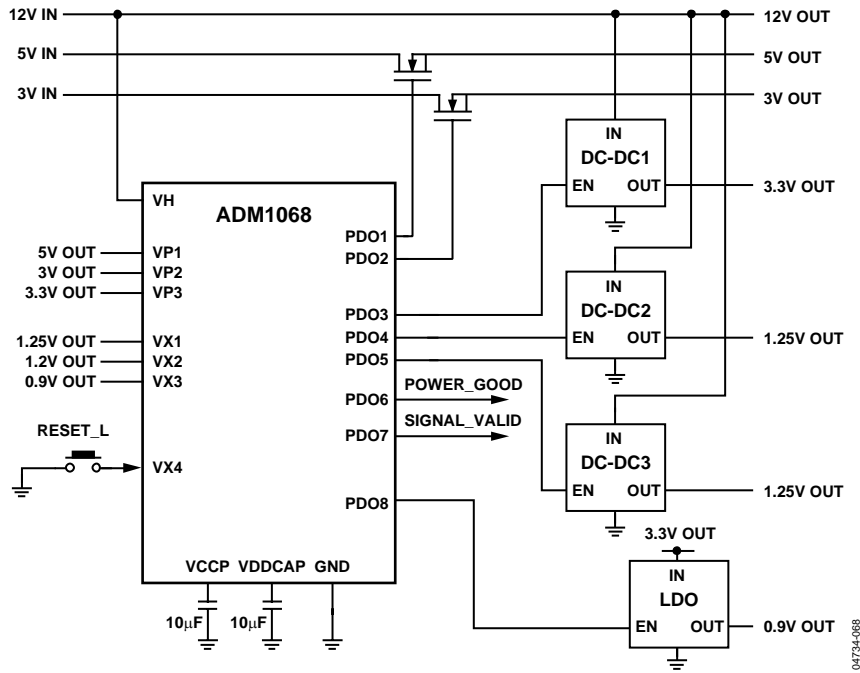


Figure 23. Applications Diagram

## COMMUNICATING WITH THE ADM1068

### CONFIGURATION DOWNLOAD AT POWER-UP

The configuration of the ADM1068 (UV/OV thresholds, glitch filter timeouts, PDO configurations, and so on) is dictated by the contents of RAM. The RAM is comprised of digital latches that are local to each of the functions on the device. The latches are double-buffered and have two identical latches, Latch A and Latch B. Therefore, when an update to a function occurs, the contents of Latch A are updated first, and then the contents of Latch B are updated with identical data. The advantages of this architecture are explained in detail in this section.

The latches are volatile memory and lose their contents at power-down. Therefore, the configuration in the RAM must be restored at power-up by downloading the contents of the EEPROM (nonvolatile memory) to the local latches. This download occurs in steps, as follows:

1. With no power applied to the device, the PDOs are all high impedance.
2. When 1 V appears on any of the inputs connected to the VDD arbitrator (VH or VPn), the PDOs are all weakly pulled to GND with a 20 k $\Omega$  impedance.
3. When the supply rises above the undervoltage lockout of the device (UVLO is 2.5 V), the EEPROM starts to download to the RAM.
4. The EEPROM downloads its contents to all Latch As.
5. Once the contents of the EEPROM are completely downloaded to the Latch As, the device controller signals all Latch As to download to all Latch Bs simultaneously, completing the configuration download.
6. At 0.5 ms after the configuration download completes, the first state definition is downloaded from EEPROM into the SE.

Note that any attempt to communicate with the device prior to the completion of the download causes the ADM1068 to issue a no acknowledge (NACK).

### UPDATING THE CONFIGURATION

After power-up, with all the configuration settings loaded from EEPROM into the RAM registers, the user might need to alter the configuration of functions on the ADM1068, such as changing the UV or OV limit of an SFD, changing the fault output of an SFD, or adjusting the rise time delay of one of the PDOs.

The ADM1068 provides several options that allow the user to update the configuration over the SMBus interface. The following options are controlled in the UPDCFG register:

1. Update the configuration in real time. The user writes to RAM across the SMBus and the configuration is updated immediately.
2. Update the Latch As without updating the Latch Bs. With this method, the configuration of the ADM1068 remains unchanged and continues to operate in the original setup until the instruction is given to update the Latch Bs.
3. Change EEPROM register contents without changing the RAM contents, and then download the revised EEPROM contents to the RAM registers. Again, with this method, the configuration of the ADM1068 remains unchanged and continues to operate in the original setup until the instruction is given to update the RAM.

The instruction to download from the EEPROM in Option 3 is also a useful way to restore the original EEPROM contents, if revisions to the configuration are unsatisfactory. For example, if the user needs to alter an OV threshold, this can be done by updating the RAM register as described in Option 1. However, if the user is not satisfied with the change and wants to revert to the original programmed value, then the device controller can issue a command to download the EEPROM contents to the RAM again, as described in Option 3, restoring the ADM1068 to its original configuration.

The topology of the ADM1068 makes this type of operation possible. The local, volatile registers (RAM) are all double-buffered latches. Setting Bit 0 of the UPDCFG register to 1 leaves the double-buffered latches open at all times. If Bit 0 is set to 0, then, when a RAM write occurs across the SMBus, only the first side of the double-buffered latch is written to. The user must then write a 1 to Bit 1 of the UPDCFG register. This generates a pulse to update all the second latches at once. EEPROM writes occur in a similar way.

The final bit in this register can enable or disable EEPROM page erasure. If this bit is set high, the contents of an EEPROM page can all be set to 1. If low, then the contents of a page cannot be erased, even if the command code for page erasure is programmed across the SMBus. The bitmap for the UPDCFG register is shown in the AN-698 application note. A flow chart for download at power-up and subsequent configuration updates is shown in Figure 24.

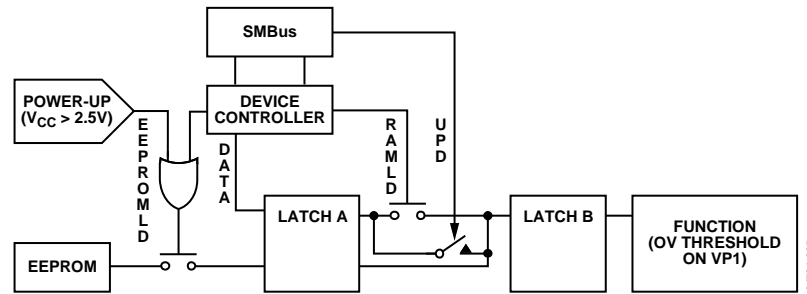


Figure 24. Configuration Update Flow Diagram

## UPDATING THE SEQUENCING ENGINE

Sequencing engine (SE) functions are not updated in the same way as regular configuration latches. The SE has its own dedicated 512-byte EEPROM for storing state definitions, providing 63 individual states with a 64-bit word each (one state is reserved). At power-up, the first state is loaded from the SE EEPROM into the engine itself. When the conditions of this state are met, the next state is loaded from EEPROM into the engine, and so on. The loading of each new state takes approximately 10  $\mu$ s.

To alter a state, the required changes must be made directly to EEPROM. RAM for each state does not exist. The relevant alterations must be made to the 64-bit word, which is then uploaded directly to EEPROM.

## INTERNAL REGISTERS

The ADM1068 contains a large number of data registers. The principal registers are the address pointer register and the configuration registers.

### Address Pointer Register

This register contains the address that selects one of the other internal registers. When writing to the ADM1068, the first byte of data is always a register address, which is written to the address pointer register.

### Configuration Registers

These registers provide control and configuration for various operating parameters of the ADM1068.

## EEPROM

The ADM1068 has two 512-byte cells of nonvolatile, electrically erasable, programmable read-only memory (EEPROM), from Register Addresses 0xF800 to 0xFBFF. The EEPROM is used for permanent storage of data that is not lost when the ADM1068 is powered down. One EEPROM cell contains the configuration data of the device; the other contains the state definitions for the SE. Although referred to as read-only memory, the EEPROM can be written to as well as read from via the serial bus in exactly the same way as the other registers.

The major differences between the EEPROM and other registers are

- An EEPROM location must be blank before it can be written to. If it contains data, it must first be erased.
- Writing to EEPROM is slower than writing to RAM.
- Writing to the EEPROM should be restricted, because it has a limited write/cycle life of typically 10,000 write operations due to the usual EEPROM wear-out mechanisms.

The first EEPROM is split into 16 (0 to 15) pages of 32 bytes each. Pages 0 to 6, starting at Address 0xF800, hold the configuration data for the applications on the ADM1068 (the SFDs, PDOs, and so on). These EEPROM addresses are the same as the RAM register addresses, prefixed by F8. Page 7 is reserved. Pages 8 to 15 are for customer use.

Data can be downloaded from EEPROM to RAM in one of the following ways:

- At power-up, when Pages 0 to 6 are downloaded.
- By setting Bit 0 of the UDOWNLD register (0xD8), which performs a user download of Pages 0 to 6.

## SERIAL BUS INTERFACE

The ADM1068 is controlled via the serial system management bus (SMBus). The ADM1068 is connected to this bus as a slave device, under the control of a master device. It takes approximately 1 ms after power-up for the ADM1068 to download from its EEPROM. Therefore, access to the ADM1068 is restricted until the download is completed.

### Identifying the ADM1068 on the SMBus

The ADM1060 has a 7-bit serial bus slave address. The device is powered up with a default serial bus address. The five MSBs of the address are set to 01101; the two LSBs are determined by the logical states of Pins A1 and A0. This allows the connection of four ADM1068s to one SMBus.

The device also has several identification registers (read-only), which can be read across the SMBus. Table 8 lists these registers with their values and functions.

**Table 8. Identification Register Values and Functions**

| Name  | Address | Value | Function                           |
|-------|---------|-------|------------------------------------|
| MANID | 0xF4    | 0x41  | Manufacturer ID for Analog Devices |
| REVID | 0xF5    | 0x00  | Silicon revision                   |
| MARK1 | 0xF6    | 0x00  | S/w brand                          |
| MARK2 | 0xF7    | 0x00  | S/w brand                          |

**General SMBus Timing**

Figure 25, Figure 26, and Figure 27 are timing diagrams for general read and write operations using the SMBus. The SMBus specification defines specific conditions for different types of read and write operations, which are discussed in the Write Operations and Read Operations sections.

The general SMBus protocol operates as follows:

1. The master initiates data transfer by establishing a start condition, defined as a high-to-low transition on the serial data-line SDA, while the serial clock-line SCL remains high. This indicates that a data stream follows. All slave peripherals connected to the serial bus respond to the start condition and shift in the next 8 bits, consisting of a 7-bit slave address (MSB first) plus a R/W bit. This bit determines the direction of the data transfer, that is, whether data is written to or read from the slave device (0 = write, 1 = read).

The peripheral whose address corresponds to the transmitted address responds by pulling the data line low during the low period before the ninth clock pulse, known as the acknowledge bit, and holding it low during the high period of this clock pulse.

All other devices on the bus remain idle while the selected device waits for data to be read from or written to it. If the R/W bit is a 0, the master writes to the slave device. If the R/W bit is a 1, the master reads from the slave device.

2. Data is sent over the serial bus in sequences of nine clock pulses, eight bits of data followed by an acknowledge bit from the slave device. Data transitions on the data line must occur during the low period of the clock signal and remain stable during the high period, because a low-to-high transition when the clock is high might be interpreted as a stop signal. If the operation is a write operation, the first data byte after the slave address is a command byte. This tells the slave device what to expect next. It might be an instruction telling the slave device to expect a block write, or it might simply be a register address that tells the slave where subsequent data is to be written. Because data can flow in only one direction, as defined by the R/W bit, sending a command to a slave device during a read operation is not possible. Before a read operation, it might be necessary to perform a write operation to tell the slave what sort of read operation to expect and/or the address from which data is to be read.
3. When all data bytes have been read or written, stop conditions are established. In write mode, the master pulls the data line high during the 10th clock pulse to assert a stop condition. In read mode, the master device releases the SDA line during the low period before the ninth clock pulse, but the slave device does not pull it low. This is known as no acknowledge. The master then takes the data line low during the low period before the tenth clock pulse, then high during the tenth clock pulse to assert a stop condition.

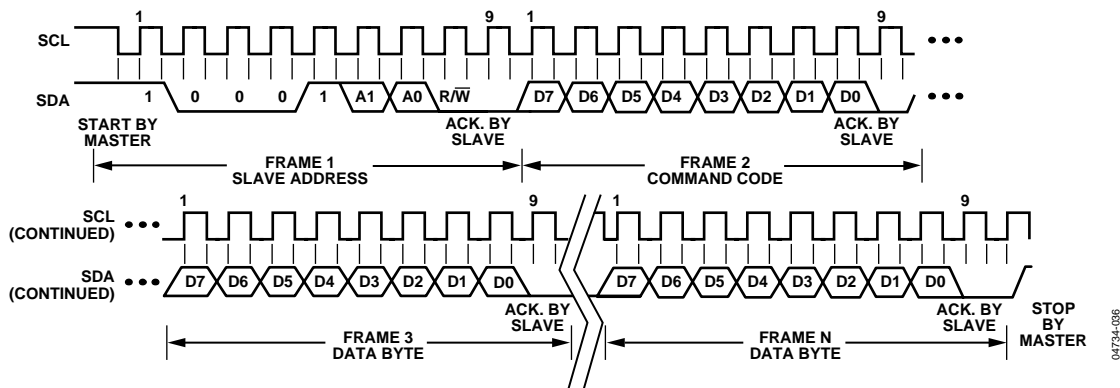


Figure 25. General SMBus Write Timing Diagram

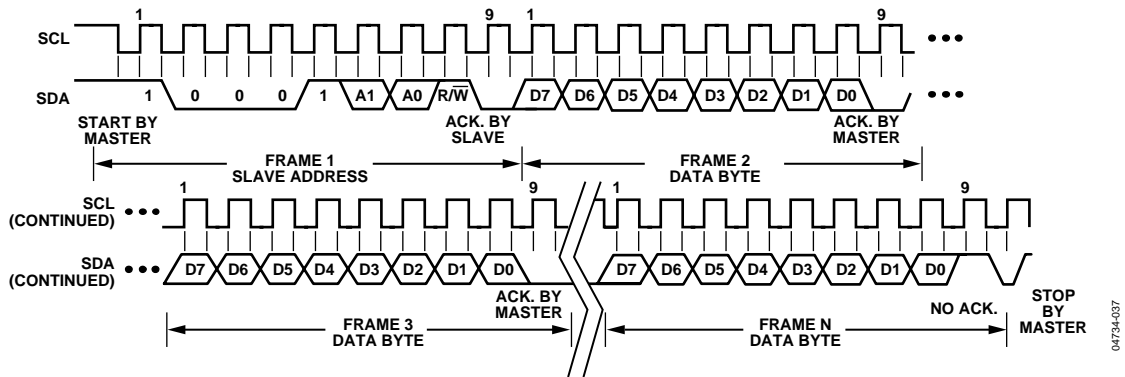


Figure 26. General SMBus Read Timing Diagram

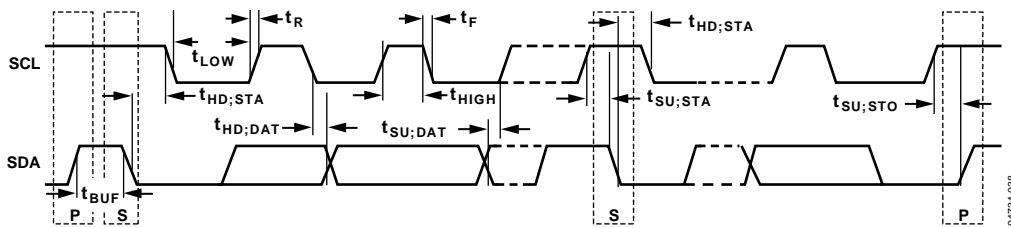


Figure 27. Serial Bus Timing Diagram

**SMBus Protocols for RAM and EEPROM**

The ADM1068 contains volatile registers (RAM) and nonvolatile registers (EEPROM). User RAM occupies address locations from 0x00 to 0xDF; EEPROM occupies addresses from 0xF800 to 0xFBFF.

Data can be written to and read from both RAM and EEPROM as single data bytes. Data can be written only to unprogrammed EEPROM locations. To write new data to a programmed location, it must first be erased. EEPROM erasure cannot be done at the byte level. The EEPROM is arranged as 32 pages of 32 bytes each, and an entire page must be erased.

Page erasure is enabled by setting Bit 2 in the UPDCFG register (Address 0x90) to 1. If this bit is not set, page erasure cannot occur, even if the command byte (0xFE) is programmed across the SMBus.

**WRITE OPERATIONS**

The SMBus specification defines several protocols for different types of read and write operations. The following abbreviations are used in the diagrams:

- S Start
- P Stop
- R Read
- W Write
- A Acknowledge
- $\overline{A}$  No acknowledge

The ADM1068 uses the following SMBus write protocols.

**Send Byte**

In a send byte operation, the master device sends a single command byte to a slave device, as follows:

1. The master device asserts a start condition on SDA.
2. The master sends the 7-bit slave address followed by the write bit (low).
3. The addressed slave device asserts ACK on SDA.
4. The master sends a command code.
5. The slave asserts ACK on SDA.
6. The master asserts a stop condition on SDA and the transaction ends.

In the ADM1068, the send byte protocol is used for two purposes:

- To write a register address to RAM for a subsequent single byte read from the same address, or a block read or write starting at that address, as shown in Figure 28.

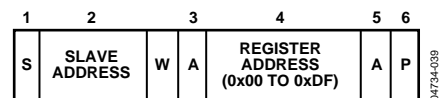


Figure 28. Setting a RAM Address for Subsequent Read

- To erase a page of EEPROM memory. EEPROM memory can be written to only if it is unprogrammed. Before writing to one or more EEPROM memory locations that are already programmed, the page or pages containing those locations must first be erased. EEPROM memory is erased by writing a command byte.

The master sends a command code that tells the slave device to erase the page. The ADM1068 command code for a page erasure is 0xFE (1111 1110). Note that, for a page erasure to take place, the page address has to be given in the previous write word transaction (see the Write Byte/Word section). Also, Bit 2 in the UPDCFG register (Address 0x90) must be set to 1.

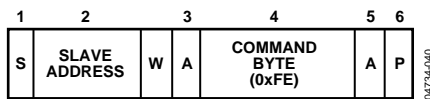


Figure 29. EEPROM Page Erasure

As soon as the ADM1068 receives the command byte, page erasure begins. The master device can send a stop command as soon as it sends the command byte. Page erasure takes approximately 20 ms. If the ADM1068 is accessed before erasure is complete, it responds with a no acknowledge (NACK).

**Write Byte/Word**

In a write byte/word operation, the master device sends a command byte and one or two data bytes to the slave device, as follows:

- The master device asserts a start condition on SDA.
- The master sends the 7-bit slave address followed by the write bit (low).
- The addressed slave device asserts ACK on SDA.
- The master sends a command code.
- The slave asserts ACK on SDA.
- The master sends a data byte.
- The slave asserts ACK on SDA.
- The master sends a data byte (or asserts a stop condition at this point).
- The slave asserts ACK on SDA.
- The master asserts a stop condition on SDA to end the transaction.

In the ADM1068, the write byte/word protocol is used for three purposes:

- To write a single byte of data to RAM. In this case, the command byte is the RAM address from 0x00 to 0xDF and the only data byte is the actual data, as shown in Figure 30.

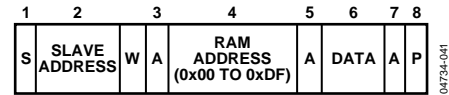


Figure 30. Single Byte Write to RAM

- To set up a 2-byte EEPROM address for a subsequent read, write, block read, block write, or page erase. In this case, the command byte is the high byte of the EEPROM address from 0xF8 to 0xFB. The only data byte is the low byte of the EEPROM address, as shown in Figure 31.

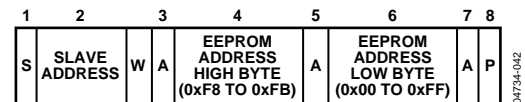


Figure 31. Setting an EEPROM Address

Note, for page erasure, that because a page consists of 32 bytes, only the three MSBs of the address low byte are important. The lower five bits of the EEPROM address low byte specify the addresses within a page and are ignored during an erase operation.

- To write a single byte of data to EEPROM. In this case, the command byte is the high byte of the EEPROM address from 0xF8 to 0xFB. The first data byte is the low byte of the EEPROM address, and the second data byte is the actual data, as shown in Figure 32.

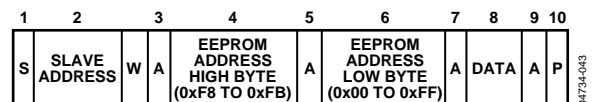


Figure 32. Single Byte Write to EEPROM

**Block Write**

In a block write operation, the master device writes a block of data to a slave device. The start address for a block write must have been set previously. In the ADM1068, a send byte operation sets a RAM address, and a write byte/word operation sets an EEPROM address, as follows:

- The master device asserts a start condition on SDA.
- The master sends the 7-bit slave address followed by the write bit (low).
- The addressed slave device asserts ACK on SDA.
- The master sends a command code that tells the slave device to expect a block write. The ADM1068 command code for a block write is 0xFC (1111 1100).

5. The slave asserts ACK on SDA.
6. The master sends a data byte that tells the slave device how many data bytes are being sent. The SMBus specification allows a maximum of 32 data bytes in a block write.
7. The slave asserts ACK on SDA.
8. The master sends N data bytes.
9. The slave asserts ACK on SDA after each data byte.
10. The master asserts a stop condition on SDA to end the transaction.

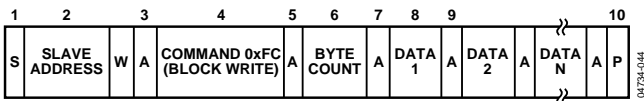


Figure 33. Block Write to EEPROM or RAM

Unlike some EEPROM devices that limit block writes to within a page boundary, there is no limitation on the start address when performing a block write to EEPROM, except

- There must be at least N locations from the start address to the highest EEPROM address (0xFBFF), to avoid writing to invalid addresses.
- If the addresses cross a page boundary, both pages must be erased before programming.

Note that the ADM1068 features a clock extend function for writes to EEPROM. Programming an EEPROM byte takes approximately 250  $\mu$ s, which would limit the SMBus clock for repeated or block write operations. The ADM1068 pulls SCL low and extends the clock pulse when it cannot accept any more data.

## READ OPERATIONS

The ADM1068 uses the following SMBus read protocols.

### Receive Byte

In a receive byte operation, the master device receives a single byte from a slave device, as follows:

1. The master device asserts a start condition on SDA.
2. The master sends the 7-bit slave address followed by the read bit (high).
3. The addressed slave device asserts ACK on SDA.
4. The master receives a data byte.
5. The master asserts no acknowledge on SDA.
6. The master asserts a stop condition on SDA, and the transaction ends.

In the ADM1068, the receive byte protocol is used to read a single byte of data from a RAM or EEPROM location whose address has previously been set by a send byte or write byte/word operation, as shown in Figure 34.

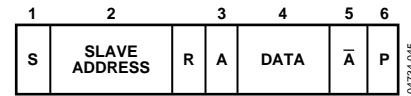


Figure 34. Single Byte Read from EEPROM or RAM

### Block Read

In a block read operation, the master device reads a block of data from a slave device. The start address for a block read must have been set previously. In the ADM1068, this is done by a send byte operation to set a RAM address, or a write byte/word operation to set an EEPROM address. The block read operation itself consists of a send byte operation that sends a block read command to the slave, immediately followed by a repeated start and a read operation that reads out multiple data bytes, as follows:

1. The master device asserts a start condition on SDA.
2. The master sends the 7-bit slave address followed by the write bit (low).
3. The addressed slave device asserts ACK on SDA.
4. The master sends a command code that tells the slave device to expect a block read. The ADM1068 command code for a block read is 0xFD (1111 1101).
5. The slave asserts ACK on SDA.
6. The master asserts a repeat start condition on SDA.
7. The master sends the 7-bit slave address followed by the read bit (high).
8. The slave asserts ACK on SDA.
9. The ADM1068 sends a byte-count data byte that tells the master how many data bytes to expect. The ADM1068 always returns 32 data bytes (0x20), which is the maximum allowed by the SMBus 1.1 specification.
10. The master asserts ACK on SDA.
11. The master receives 32 data bytes.
12. The master asserts ACK on SDA after each data byte.
13. The master asserts a stop condition on SDA to end the transaction.



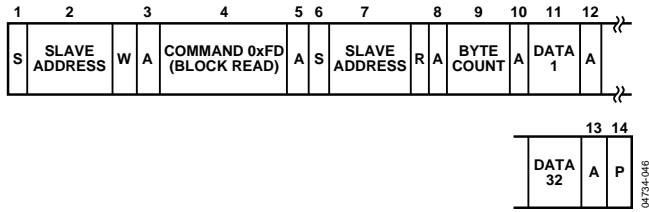


Figure 35. Block Read from EEPROM or RAM

**Error Correction**

The ADM1068 provides the option of issuing a PEC (packet error correction) byte after a write to RAM, a write to EEPROM, a block write to RAM/EEPROM, or a block read from RAM/EEPROM. This enables the user to verify that the data received by or sent from the ADM1068 is correct. The PEC byte is an optional byte sent after that last data byte has been written to or read from the ADM1068. The protocol is as follows:

1. The ADM1068 issues a PEC byte to the master. The master checks the PEC byte and issues another block read, if the PEC byte is incorrect.

2. A no acknowledge (NACK) is generated after the PEC byte to signal the end of the read.

Note that the PEC byte is calculated using CRC-8. The frame check sequence (FCS) conforms to CRC-8 by the polynomial

$$C(x) = x^8 + x^2 + x^1 + 1$$

See the SMBus 1.1 specification for details.

An example of a block read with the optional PEC byte is shown in Figure 36.

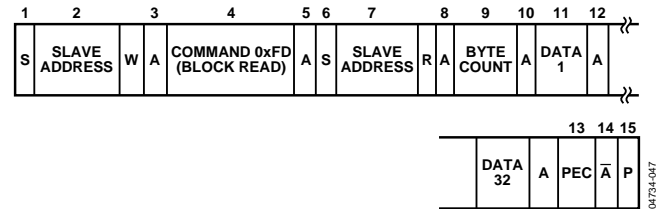
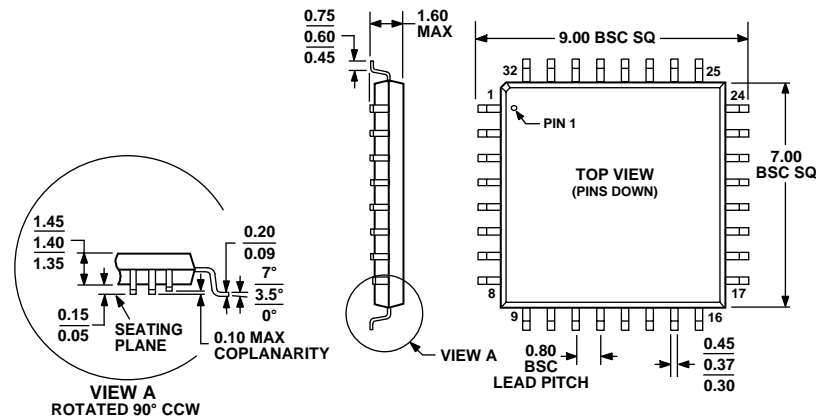


Figure 36. Block Read from EEPROM or RAM with PEC

OUTLINE DIMENSIONS



COMPLIANT TO JEDEC STANDARDS MS-026-BBA

Figure 37. 32-Lead Low Profile Quad Flat Package [LQFP] (ST-32-2)

Dimensions shown in millimeters

ORDERING GUIDE

| Model            | Temperature Range | Description            | Package Option |
|------------------|-------------------|------------------------|----------------|
| ADM1068ACP       | -40°C to +85°C    | 32-Lead LQFP           | ST-32-2        |
| ADM1068ACP-REEL  | -40°C to +85°C    | 32-Lead LQFP           | ST-32-2        |
| ADM1068ACP-REEL7 | -40°C to +85°C    | 32-Lead LQFP           | ST-32-2        |
| EVAL-ADM1068LQEB |                   | ADM1068 Evaluation Kit |                |

**NOTES**

**NOTES**