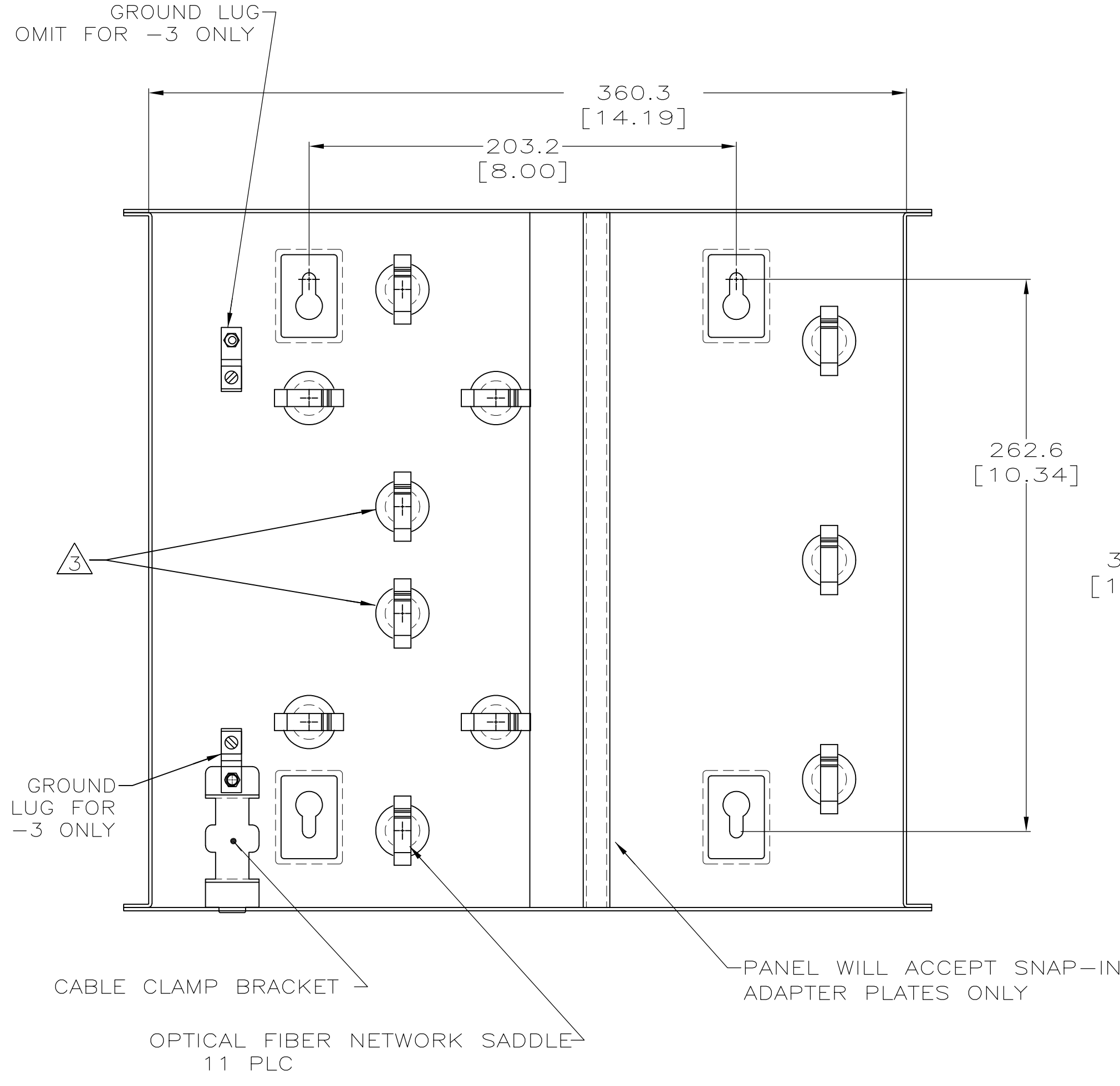
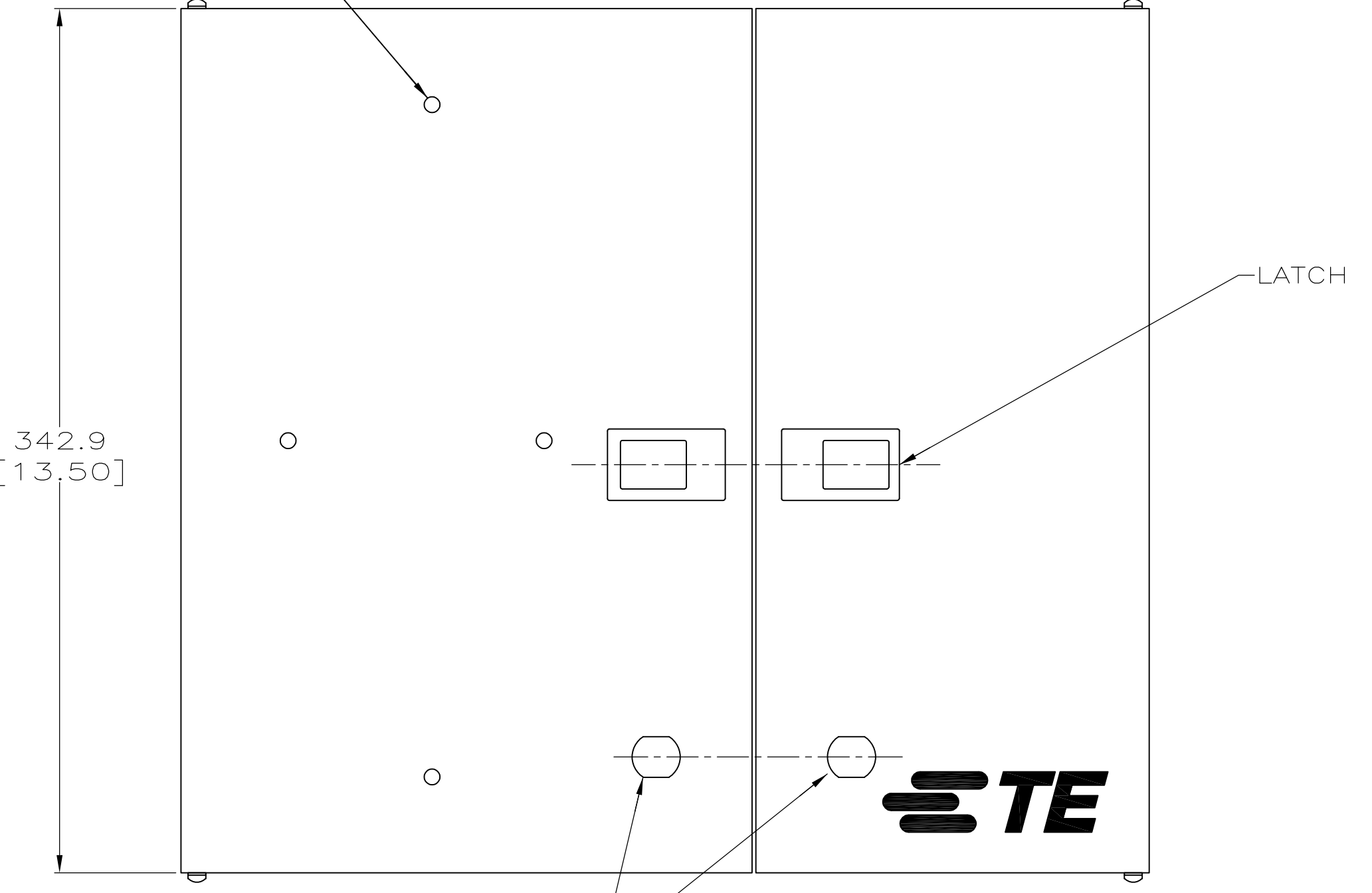
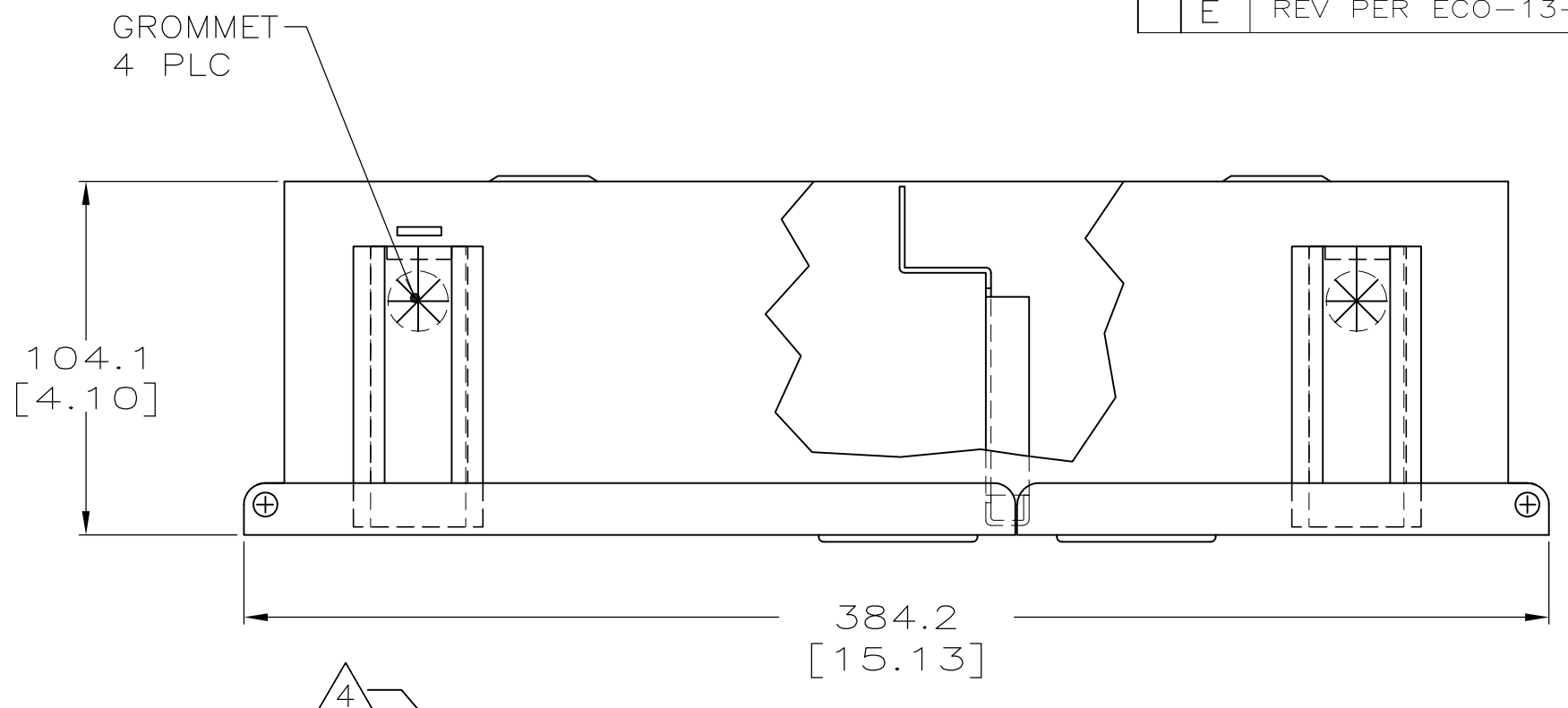


- THE FOLLOWING LABELS ARE BAGGED AND PLACED INSIDE THE ENCLOSURE:
 - 2 DANGER LABELS
 - 4 12-LINE "FIBER PATCH PORTS" LABELS
 - FOUR SCREWS ARE PROVIDED FOR MOUNTING ENCLOSURE
- 3 NO FIBER SADDLES TO BE INSTALLED HERE FOR -3.
4 FLAT TIE HOLDERS, 4 PLC, FOR -3 ONLY



FRONT VIEW WITHOUT DOORS



BLACK ENAMEL PAINT, W/ KEY LOCKS AND FLAT TIE HOLDERS	559561-3
BLACK ENAMEL PAINT	559561-2
LT ALMOND ENAMEL PAINT	559561-1
FINISH	PART NO

THIS DRAWING IS A CONTROLLED DOCUMENT.		DWN J.HOFFER 3-26-97	AMP Incorporated Harrisburg, PA 17105-3608
DIMENSIONS: mm [in]		CHK J.DAVIS 3-26-97	
TOLERANCES UNLESS OTHERWISE SPECIFIED:		APVD M.FASNACHT 3-26-97	
0 PLC ±-	1 PLC ±-	2 PLC ±1[.04]	NAME DISTRIBUTION PANEL, 24 PORT WALL MOUNT
3 PLC ±0.25[.010]	4 PLC ±-	ANGLES ±-	PRODUCT SPEC -
MATERIAL STEEL .060 THK	FINISH SEE CHART	WEIGHT -	APPLICATION SPEC -
		CUSTOMER DRAWING	SIZE A2 CAGE CODE 00779 DRAWING NO C-559561
			SCALE 1:2 SHEET 1 OF 1 REV E