

SPECIFICATION

Part No.	:	TI.10.0112
Product Name	:	433MHz ISM Band Terminal Antenna Omni-directional, with a peak gain of 0dBi
Features	:	SMA(M)RA Plug Connector Low Profile and Robust Handling 44.8mm Antenna Length IP65 RoHS Compliant
Picture	:	



1. Introduction

The TI.10 series are high performance 433MHz omni-directional antennas. The TI.10 terminal SMA R/A plug mount antenna is ideal for mobile small form factor applications. At only 44.8mm in length Omni-directional with a peak gain 0dBi ensures constant reception and transmission. The antenna structure is designed for robust handling and the housing is made with TPE giving reliable performance in tough environments.

2. Key Antenna Performance Indicators

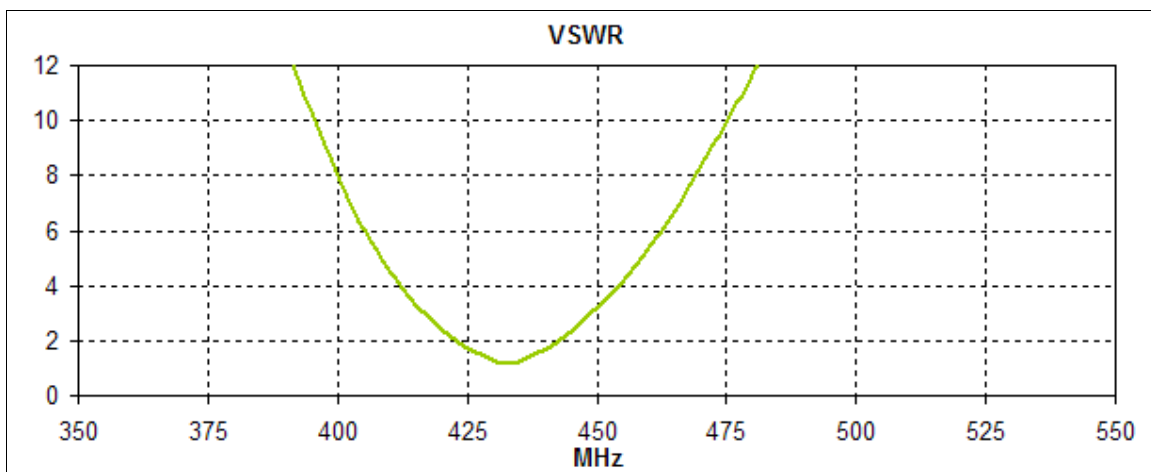
Parameter	Specification
Applications	433MHz ISM Band
Frequency	433.05~434.79MHz
Peak Gain	0dBi
Return Loss	-20dB
Impedance	50 Ohms
Radiation Pattern	Omni-directional
Polarization	Linear
VSWR	≤1.5:1
Power handling	5 W
Housing	TPE
Connector	SMA(M)RA Plug
Operation Temperature	-40°C to + 85°C
Storage Temperature	-40°C to + 105°C
Relative Humidity	40% to 95%
Dimensions	Length: 44.8mm
Weight	8.5g

3. Antenna Parameters

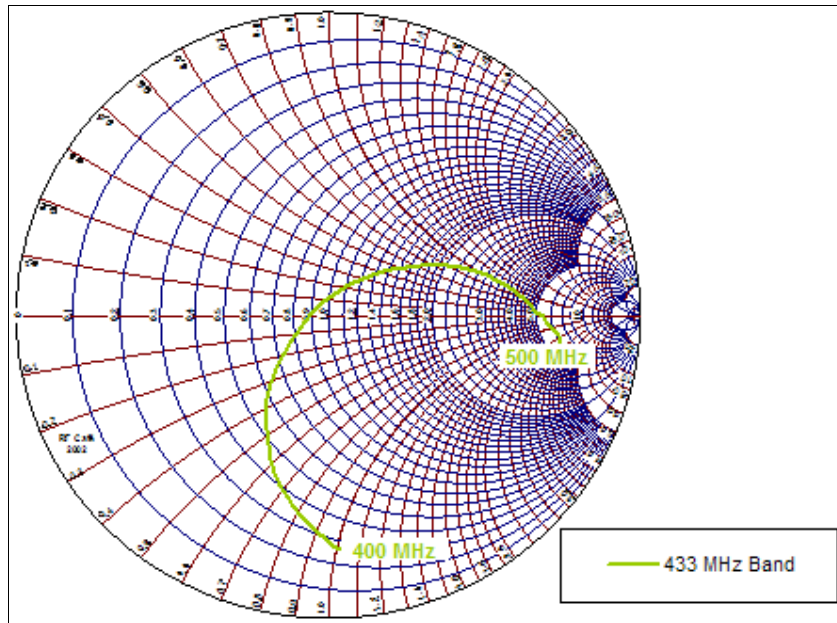
3.1 Return Loss Data



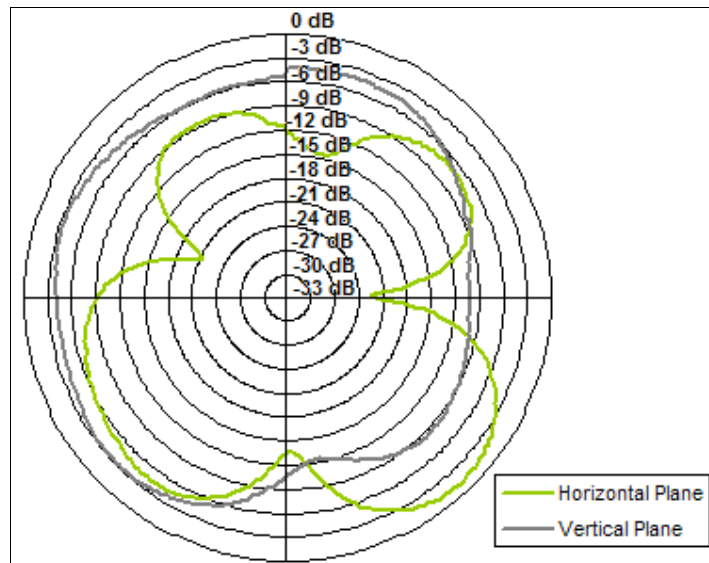
3.2 VSWR Data



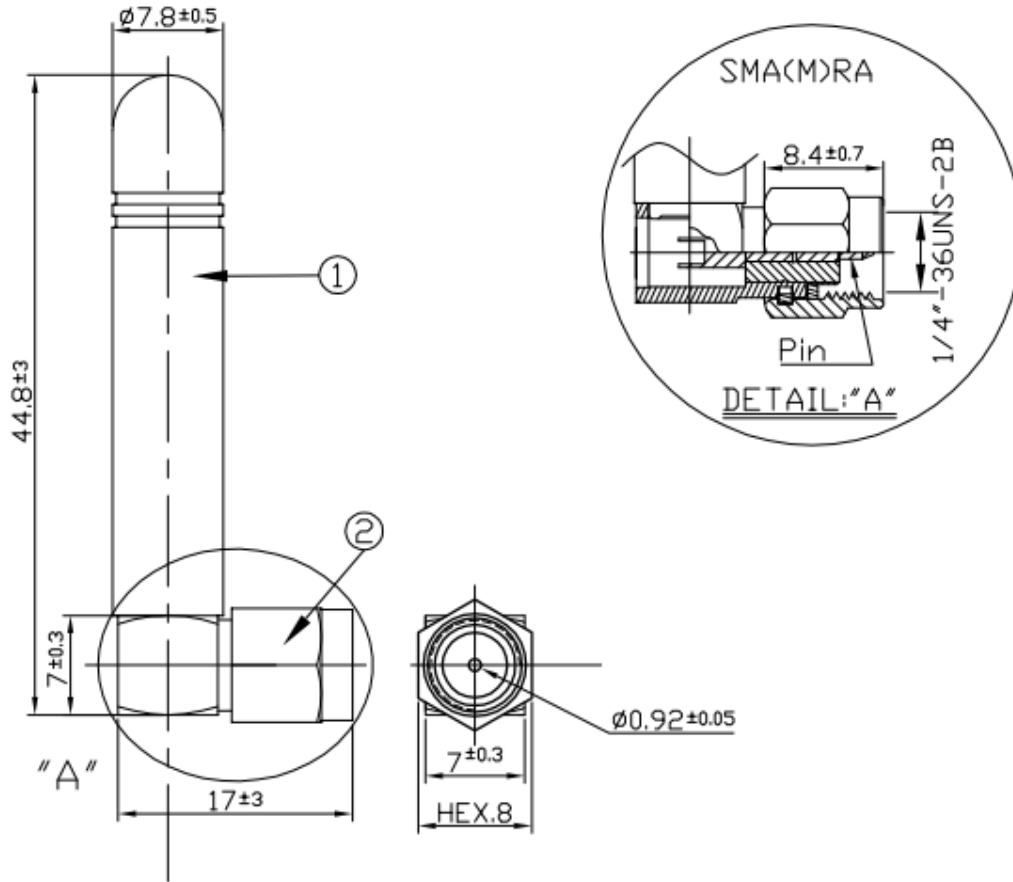
3.3 Smith Chart Data



3.4 Radiation Pattern



4. Mechanical Drawing



	Name	Material	Finish	Quantity
①	Antenna Cover	TPU	Black	1
②	SMA(M)RA	Brass	Gold	1