

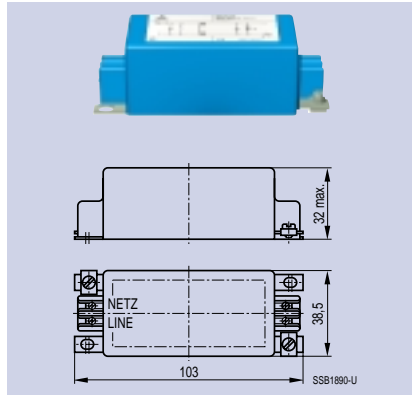
2-Leiter-Filter

2-Line Filters

Allgemeine Anwendungen B84102-K

- Für 1-Phasen-Systeme
- Kunststoffgehäuse
- Berührungssichere Anschlussklemmen

Bemessungsspannung U_R : 250 V~, 50/60 Hz
Klimakategorie: 25/085/21



General-purpose applications B84102-K

- For single-phase systems
- Plastic case
- Safe-to-touch terminal blocks

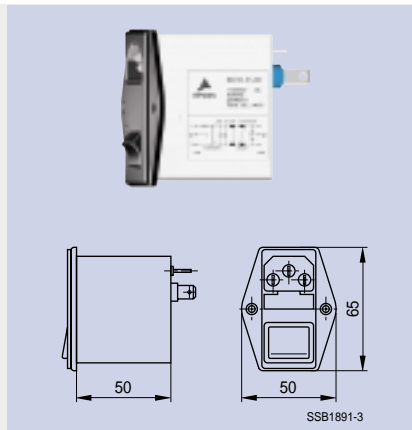
Rated voltage V_R : 250 V~, 50/60 Hz
Climatic category: 25/085/21

| I_R A | C_R (Klasse Class) | L_R mH | I_{Abl} I_{leak} mA | Bestellnummer Ordering code |
|------------|----------------------------------|-------------|-------------------------------|--------------------------------|
| 1 | 2×0,22 µF (X2) + 2×2500 pF (Y2) | 2×18 | < 0,5 | B84102-K30 |
| 2 | 2×0,33 µF (X2) + 2×2500 pF (Y2) | 2×10 | < 0,5 | B84102-K40 |
| 4 | 2×0,47 µF (X2) + 2×2500 pF (Y2) | 2×4,7 | < 0,5 | B84102-K50 |
| 6 | 2×0,47 µF (X2) + 2×0,035 µF (Y2) | 2×2,2 | < 3,5 | B84102-K160 |

Filter mit IEC-Stecker B84103

- Für 1-Phasen-Systeme
- Mit IEC-Stecker, Sicherungshalter und Schalter
- Filterausgang mit Flachstecker 6,3 x 0,8 mm

Bemessungsspannung U_R : 250 V~, 50/60 Hz
Klimakategorie: 25/085/21



Filters with IEC connector B84103

- For single-phase systems
- With IEC connector, fuse holder and switch
- Tab connector 6,3 x 0,8 mm at output

Rated voltage V_R : 250 V~, 50/60 Hz
Climatic category: 25/085/21

| I_R A | C_R (Klasse Class) | L_R mH | I_{Abl} I_{leak} mA | Bestellnummer Ordering code | Approbationen Approvals |
|------------|-----------------------------|--------------------|-------------------------------|--------------------------------|----------------------------|
| 1 | 0,33 µF (X2) + 2×10 nF (Y2) | 2×9 mH + 2×270 µH | < 1 | B84103-S1-A10 | |
| 3 | 0,33 µF (X2) + 2×10 nF (Y2) | 2×1,5 mH + 2×22 µH | < 1 | B84103-S1-A30 | |
| 6 | 0,33 µF (X2) + 2×10 nF (Y2) | 2×0,47 mH + 2×8 µH | < 1 | B84103-S1-A60 | |