

**SPECIFICATIONS**

**Mechanical**

**Contact Retention Force:** 100gf min.  
**Card Insertion Force:** 3.5Kgf max.  
**Card Ejecting Force:** 0.5Kgf min.  
**Durability:** 50 Cycles

**Electrical**

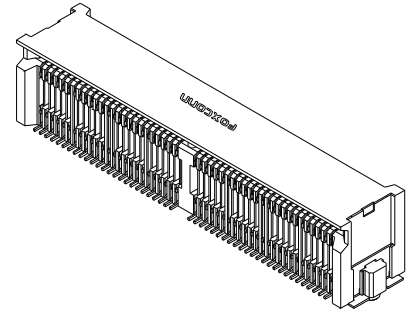
**Current Rating:** 0.5A max.  
**Contact Resistance:** 40mW max.  
**Insulation Resistance:** 1MW min. at 500V DC  
**Dielectric Withstanding Voltage:** 500V AC 1 minute hold

**Physical**

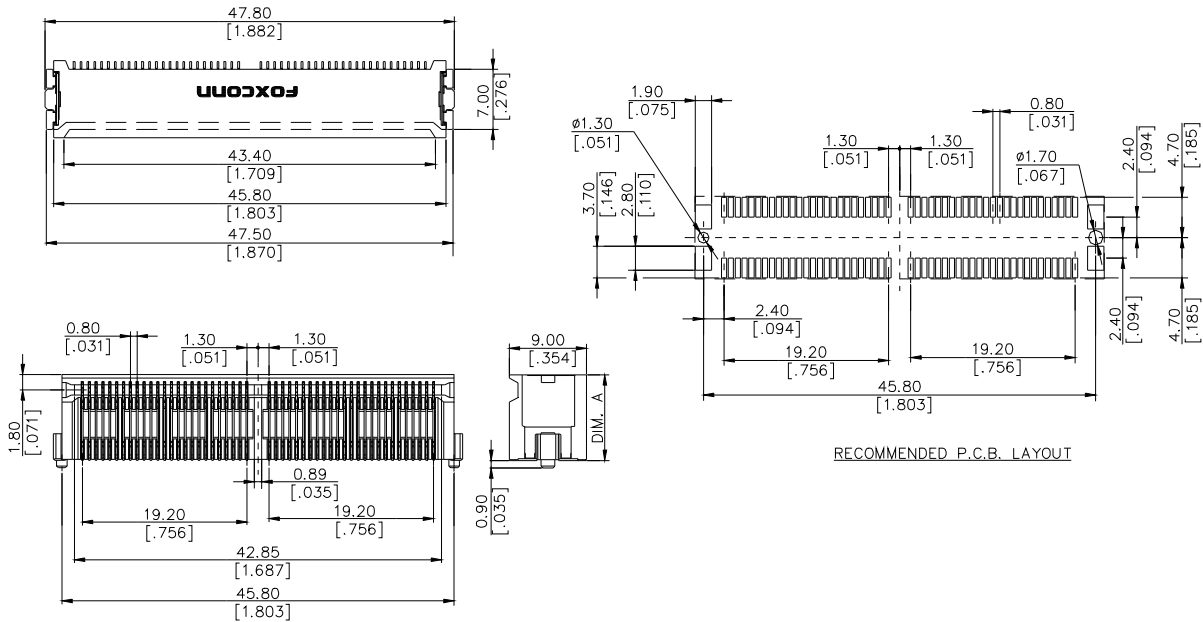
**Housing:** LCP, UL 94V-0 rated in Black Color  
**Contact:** Copper Alloy  
**Operating Temperature:** 0°C to +100°C

**Card Edge Connector**

**2EA Series.**  
**SMT Type**  
**0.8mm Pitch**



**DRAWING**



**ORDERING INFORMATION**

PRODUCT NO.: **2EA55096-H\* (-TR)**

Cardedge Connector — 2  
 Vertical Usage — E  
 SMT Type — A  
 No. of Pos. — 50  
 50=100 Pos.

Carrier Tape — 9  
 HA=10.0mm Height  
 H4=4.0mm Height  
 Contact Area Plating  
 6=10u" Gold  
 Tail Length  
 9=Special Type

2EA55096-H4(-TR)	4.00 [.157]
2EA55096-HA(-TR)	10.00 [.394]
P/N	DIM. A