

DIAMOND

Fiber Optic Components

Diamond offers a wide range of connectors for Polarization Maintaining (PM) fiber, and termination services designed to meet the most challenging optical performance requirements. Utilizing our Active Core Alignment process, we are able to independently optimize both Insertion Loss (IL) and Extinction Ratio (ER) eliminating the need to compromise one performance feature over another.

Diamond provides high performance PM terminations directly to both passive and active optical devices as well as for pigtails and patch cords assemblies.

Diamond's standard assemblies are made with Panda PM fiber for operation at 1310nm or 1550nm wavelengths and are available in both PC and APC finishes in various connector styles. All standard assemblies are 100% tested for Insertion Loss, Return Loss and Extinction Ratio. Other fiber types such as Bow Tie, Oval inner clad, Oval core, D-Fiber, connector styles, and wavelengths requirements can be accommodated to meet your specific application needs.

Features

- High Extinction Ratio
- Low Insertion Loss
- High Return Loss
- Excellent IL Repeatability
- E-2000™, SC, FC, LSA (DIN), and DMI connector styles (Other connector styles available upon request)

Applications

- Measurement Instrumentation
- Mechanical and Thermal Sensors
- Medical devices
- High Bandwidth Transmission

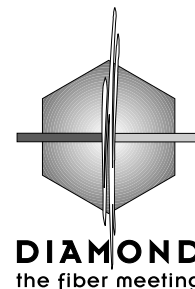
Connector specifications

	SM PC	SM 8° APC	Unit	Test conditions
Insertion loss (IL)	typ 0.2 max 0.5	typ 0.2 max 0.5	dB	IEC 61300-3-4; l= 1300/1550nm
Return Loss (RL)	typ 40 min 30	typ 70* min 55	dB	IEC 61300-3-4; l= 1300/1550nm
Repeatability of IL	±0.1		dB	Over service life
Extinction Ratio	typ 28 min 23		dB	

Note: Optical performance values based on use of Panda PM fiber, use of other types or wavelengths may impact performance values.

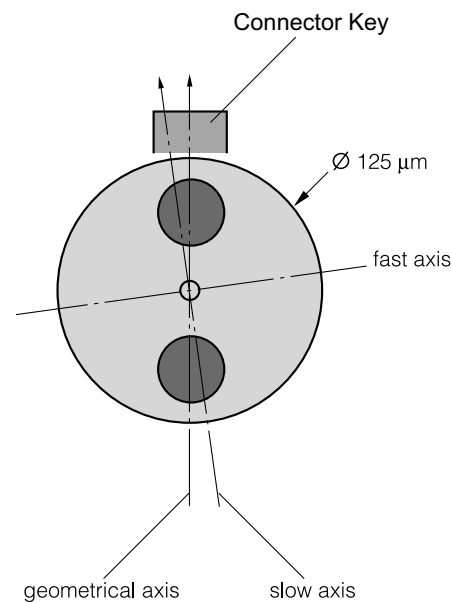
* Measured with high precision reflectometer

Note: For assemblies containing either active or passive optical devices, please provide copies of the technical datasheet, p/n, user manual, warranty certificate and any other relevant documents for the optical device(s).



DIAMOND SA
Via dei Patrizi 5
CH-6616 LOSONE
Tel. ++41-91/785 45 45
Fax ++41-91/785 45 00
e-mail: info@diamond-fo.com

E-2000™-PM
SC-PM
FC-PM
DIN-PM
DMI-PM



Diamond standard PM alignment performed to the slow axis

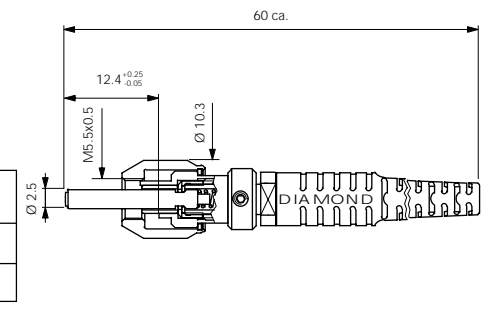
Specifications subject to change without notice

002-037-212P001073

LSA-PM CONNECTORS

Types: D-410*.6-PM
Ferrule material: Zirconia/copper-nickel alloy insert (Pilzferrule)
External parts: Copper-nickel alloy

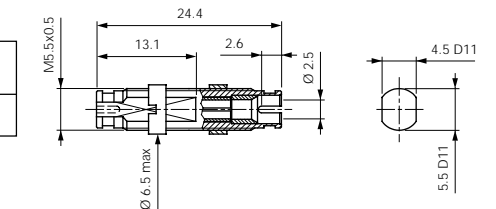
Type designation	Polish	OrderNumber
D-4106.6-PM	0°Convex PC	1 3 5 - x x x - x x x L x x x
D-4108.6-PM	8°Angled APC	1 3 6 - x x x - x x x L x x x



LSA-PM ADAPTER

Type: D-704.23-PM
Mating sleeve: Zirconia

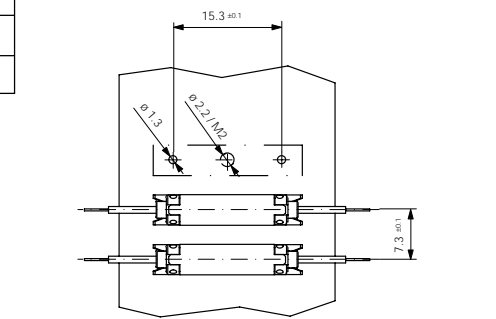
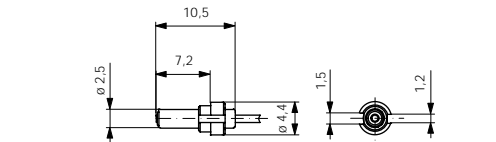
Type designation	External parts	OrderNumber
D-704.23-PM	Copper-nickel alloy	1 0 4 - 3 0 1 - 9 0 4 V 0 0 1



DMI-PM CONNECTORS

Types: DMI-S*.6-PM
Ferrule material: Zirconia/copper-nickel alloy insert (Pilzferrule)
External parts: Metal

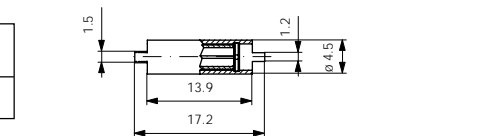
Type designation	Polish	OrderNumber
DMI-S0.6-PM	0°Convex PC	2 1 8 - x x x - x x x L x x x
DMI-S8.6-PM	8°Angled APC	2 1 9 - x x x - x x x L x x x



DMI-PM ADAPTER

Type: MDMI-PM (SM PC/APC)
Mating sleeve: Zirconia

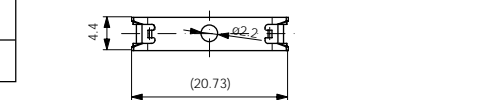
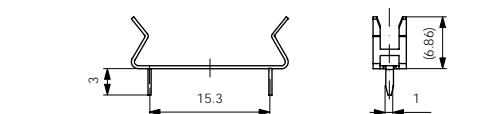
Type designation	External parts	OrderNumber
MDMI-PM	Metal	1 4 3 - 3 0 1 - 9 0 1 V 0 0 3



DMI-PM ADAPTER CLIP

Type: DMI CLIP

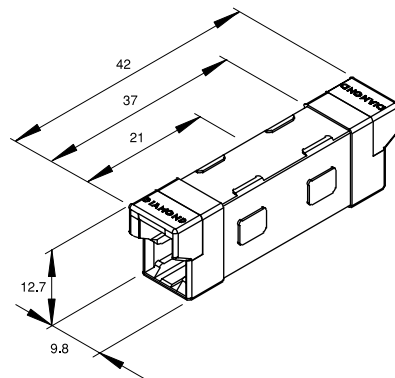
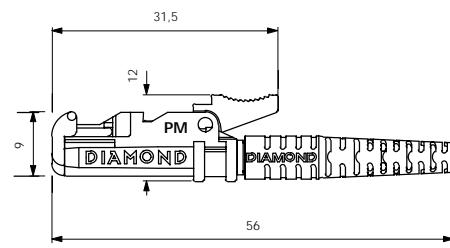
Type designation	External parts	OrderNumber
DMI CLIP	Metal	0 7 0 - 0 3 2 - 0 5 6 V 0 0 1



E-2000™-PM CONNECTORS

Types: E-210*.6-PM
 Ferrule material: Zirconia/copper-nickel alloy insert (Pilzferrule)
 External parts: Plastic

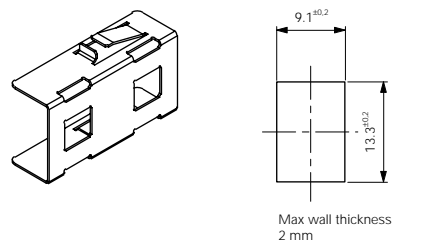
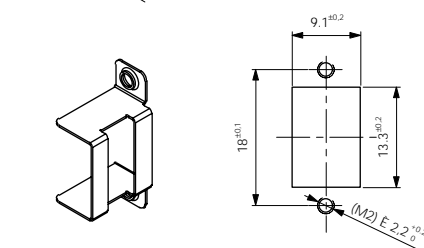
Type designation	Polish / body color	OrderNumber
E-2106.6-PM	0°Convex PC / blue	3 0 9 - x x x - x x x L x x x
E-2108.6-PM	8°Angled APC / green	5 0 9 - x x x - x x x L x x x



E-2000™ -PM ADAPTERS

Types: E-2201.2-PM
 Mating sleeve: Zirconia

Type designation	External parts	OrderNumber
E-2201.2-PM	Plastic, blue	1 6 7 - 0 2 x - 0 0 1 V 1 0 1
E-2201.2-PM	Plastic, green	1 6 7 - 0 2 x - 0 0 1 V 2 0 2



Note: The E-2000™ connector system is available with both color coded and/or mechanically keyed thumbblatches and frames.

Order Number Codes for E-2000™ Mating Adapters

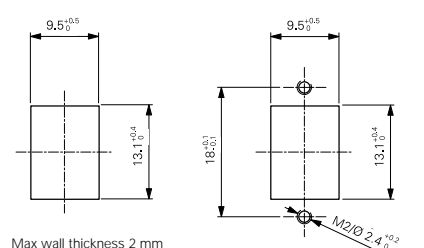
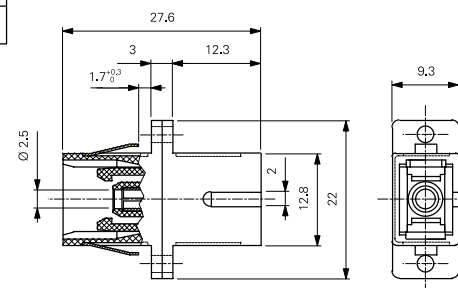
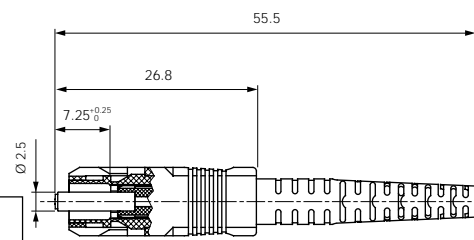
¹ Code for fixation type
 - 0 for basic body - 1 for assembled screw fixing clip - 2 for assembled quick fixing clip

Other fixations or colors upon request.

SC-PM CONNECTORS

Types: HSC-S*.6-PM
 Ferrule material: Zirconia/copper-nickel alloy insert (Pilzferrule)
 External parts: Plastic

Type designation	Polish / body color	OrderNumber
HSC-S0.6-PM	0°Convex PC / blue	1 6 0 - x x x - x x x L x x x
HSC-S8.6-PM	8°Angled APC / green	1 6 1 - x x x - x x x L x x x



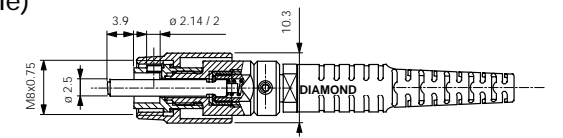
SC-PM ADAPTERS

Types: MSC-S*.2-PM
 Mating sleeve: Zirconia

Type designation	External parts	OrderNumber
MSC-S0.2-PM	Plastic, blue	1 1 2 - 3 0 1 - 9 1 1 V 0 0 1
MSC-S8.2-PM	Plastic, green	1 1 2 - 3 0 1 - 9 1 1 V 0 0 2

FC-PM CONNECTORS

Types: HPC-S*.6-PM
 Ferrule material: Zirconia/copper-nickel alloy insert (Pilzferrule)
 External parts: Ni-plated brass

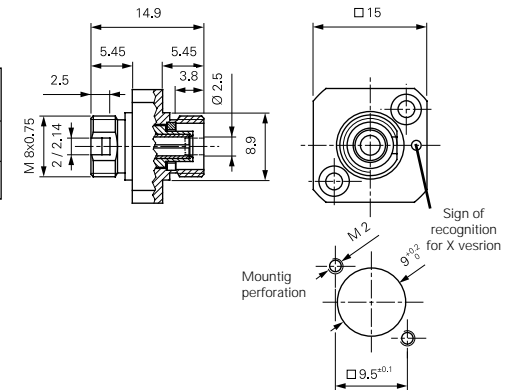


Type designation	Polish / key ø	OrderNumber
HPC-S0.6-PM	0°Convex PC / 2.14 mm	1 8 5 - x x x - x x x L x x x
HPC-S8.6-PM	8° Angled APC / 2.14 mm	1 8 6 - x x x - x x x L x x x
HPC-S0.6-PM	0°Convex PC / 2 mm	1 8 7 - x x x - x x x L x x x
HPC-S8.6-PM	8° Angled APC / 2 mm	1 8 8 - x x x - x x x L x x x

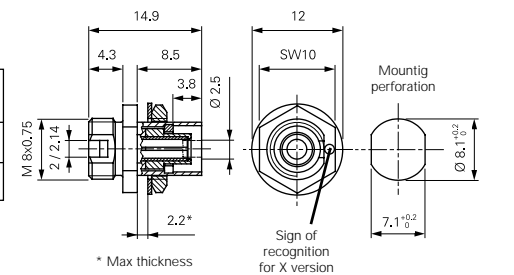
FC-PM ADAPTERS

Types: MPC-S8.22-PM*
 Mating sleeve: Zirconia

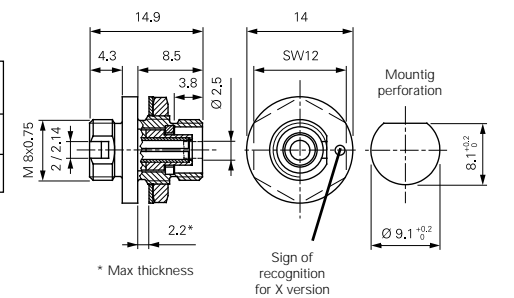
Type designation	External parts / key ø	OrderNumber
MPC-S8.22-PM	Ni-plated brass / 2.14 mm	1 1 0 - 3 0 1 - 9 2 3 V 0 0 1
MPC-S8.22-PM/X	Ni-plated brass / 2 mm	1 1 0 - 3 0 1 - 9 2 3 V 0 0 2



Type designation	External parts / key ø	OrderNumber
MPC-S8.22-PM/6 Kt.	Ni-plated brass / 2.14 mm	1 1 0 - 3 0 1 - 9 2 4 V 0 0 1
MPC-S8.22-PM/6 Kt. X	Ni-plated brass / 2 mm	1 1 0 - 3 0 1 - 9 2 4 V 0 0 2



Type designation	External parts / key ø	OrderNumber
MPC-S8.22-PM/Y	Ni-plated brass / 2.14 mm	1 1 0 - 3 0 1 - 9 2 5 V 0 0 1
MPC-S8.22-PM/YX	Ni-plated brass / 2 mm	1 1 0 - 3 0 1 - 9 2 5 V 0 0 2



Order information for connectors:

1 2 3 4 - X X X - X X X L X X X

- Connector code
- Connector code for termination on other end of assembly
 - For pigtaills: insert 000
 - For patch assemblies: insert connector code for other connector
- Code for PM fiber: insert 700 for Panda 1310nm; or 701 for Panda 1550nm
- Length in meters