



Precision SMA Female to N Female Adapter

TECHNICAL DATA SHEET

PE9432

Precision SMA Female to N Female Adapter

Configuration

| | |
|---------------------------|-------------|
| Connector 1 | SMA Female |
| Impedance 1 | 50 Ohms |
| Connector Specification 1 | MIL-C-39012 |
| Connector 2 | N Female |
| Impedance 2 | 50 Ohms |
| Connector Specification 2 | MIL-C-39012 |
| Adapter Design | Precision |
| Body Style | Straight |

Electrical Specifications

| | |
|----------------------|----------|
| Frequency Range, GHz | DC to 18 |
| Maximum VSWR | 1.15:1 |

Mechanical Specifications

Size

| | |
|---------------------|---------------|
| Length, in [mm] | 1.5 [38.1] |
| Width/Dia., in [mm] | 0.625 [15.88] |

Connector 1

| | |
|------|------------|
| Type | SMA Female |
|------|------------|

Connector 2

| | |
|------|----------|
| Type | N Female |
|------|----------|

Compliance Certifications (visit www.Pasternack.com for current document)

| | |
|----------------|-----|
| RoHS Compliant | Yes |
|----------------|-----|

Plotted and Other Data

| | |
|--------|----------------------------|
| Notes: | Values at 25 °C, sea level |
|--------|----------------------------|

URL: <http://www.pasternack.com/sma-female-n-female-straight-adapter-pe9432-p.aspx>

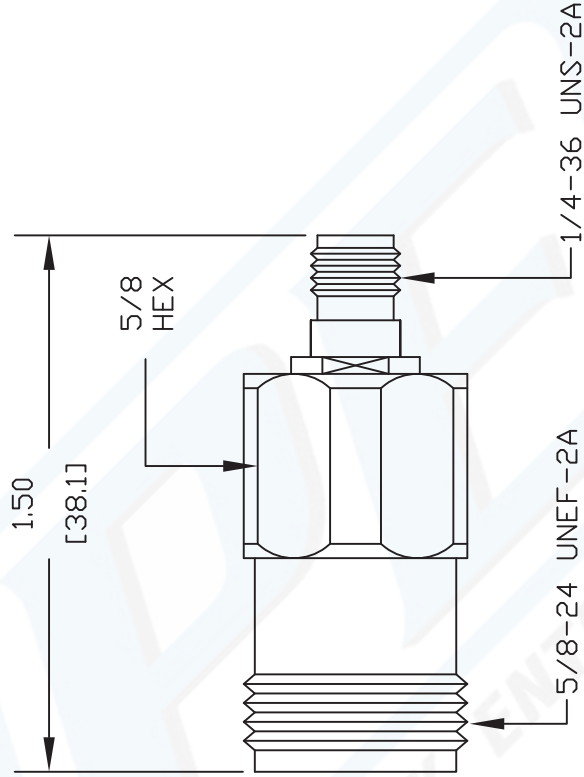
Precision SMA Female to N Female Adapter from Pasternack Enterprises has same day shipment for domestic and International orders. Our RF, microwave and fiber optic products maintain a 99% availability and are part of the broadest selection in the industry.

The information contained in this document is accurate to the best of our knowledge and representative of the part described herein. It may be necessary to make modifications to the part and/or the documentation of the part, in order to implement improvements. Pasternack reserves the right to make such changes as required. Unless otherwise stated, all specifications are nominal.



PE9432 CAD Drawing

Precision SMA Female to N Female Adapter



NOTES:
 1. UNLESS OTHERWISE SPECIFIED ALL DIMENSIONS ARE NOMINAL.
 2. ALL SPECIFICATIONS ARE SUBJECT TO CHANGE WITHOUT NOTICE AT ANY TIME.
 3. DIMENSIONS ARE IN INCHES [mm].

DWG TITLE

PE9432

REV. -

FSCM NO. 53919

CAD FILE 010903

SCALE N/A

SIZE A

127



Pasternack Enterprises, Inc.
 P.O. Box 16759 | Irvine | CA | 92623
Phone: (949) 261-1920 | **Fax:** (949) 261-7451
Website: www.pasternack.com | **E-Mail:** sales@pasternack.com