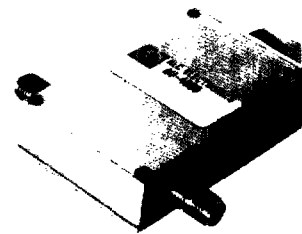


Continuously Variable Coaxial Attenuators



RLC Electronics' Continuously Variable Coaxial Attenuators offer wide bandwidths for microwave applications where continuous adjustment of signal level is required with low insertion loss and good impedance matching. Unique mechanical packaging

with a locking, non-translating shaft allow a compact assembly. The slab line construction of the transmission line and shaped, proprietary lossy material give flat response over a wide range of attenuation.

Specifications

AV-1-2-3

Model No.	Frequency Range (GHz)	Attenuation Range (dB) (Min)	VSWR (Max)	Insertion Loss (dB) (Max)
AV-0915	.95-1.5	10	1.5	0.3
AV-1020	1.0-2.0	10	1.5	0.4
AV-1922	1.9-2.2	20	1.3	0.4
AV-2040	2.0-4.0	25	1.5	0.5
AV-3060	3.0-6.0	20	1.5	0.5
AV-3742	3.7-4.2	20	1.4	0.5
AV-4080	4.0-8.0	20	1.5	0.5
AV-5964	5.9-6.4	20	1.4	0.5
AV-70124	7.0-12.4	20	1.5	0.5
AV-10150	10.0-15.0	20	1.5	0.5
AV-12180	12.4-18.0	20	1.5	0.5
AV-18265	18.0-26.5	20	1.7	0.7
AV-26540	26.5-40.0	20	2.0	1.0

Impedance: 50 ohms.

Power Rating: 5 watts average @ 25°C.
1 KW peak @ 25°C.

Connectors: Type N*, TNC*, SMA Female.

Shaft: Locking screwdriver adjust or panel mount

Temperature Range: -55 to +85°C.

Attenuation vs. Frequency: ± 10% of max. attenuation.

*Type N and TNC not recommended for use above 12.4 GHz.

To designate attenuator desired use:

(1) 2040, 3060 etc. for model number. (2) N, T (TNC), R (SMA) for connectors.

(3) P for panel mount

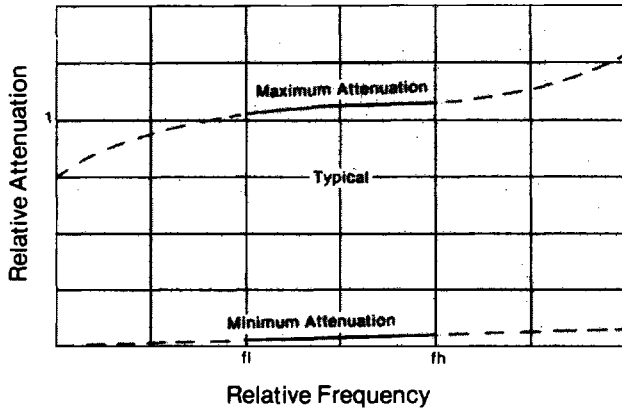
(4) L for locking nut.

Example: AV-4080-R-P-L is a 4.0 to 8.0 GHz attenuator with SMA connectors, panel mount with locking nut.

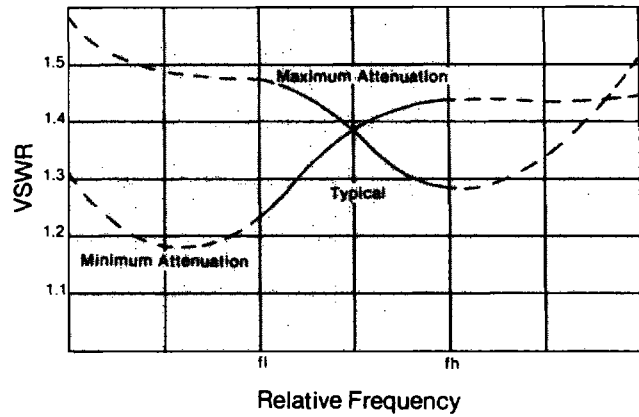


Typical Operating Curves

Attenuation Vs. Frequency

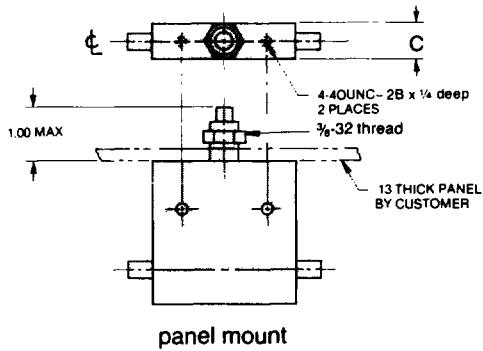


VSWR Vs. Frequency



fl - low limit
fh - high limit

Outlines



MODEL	A	B	C
AV-0915	4.00	3.00	.75
AV-1020	4.00	3.00	.75
AV-1922	3.25	2.25	.50
AV-2040	2.75	1.75	.50
AV-3060	2.75	1.75	.50
AV-3742	2.00	1.00	.50
AV-4060	2.75	1.75	.50
AV-5964	2.00	1.00	.50
AV-70124	2.00	1.00	.50
AV-10150	2.00	1.00	.50
AV-12180	2.00	1.00	.50
AV-18265	Figure 1		
AV-26540	Figure 1		

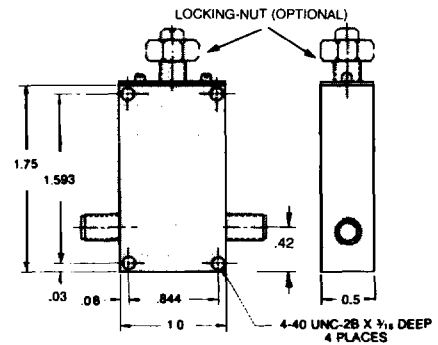
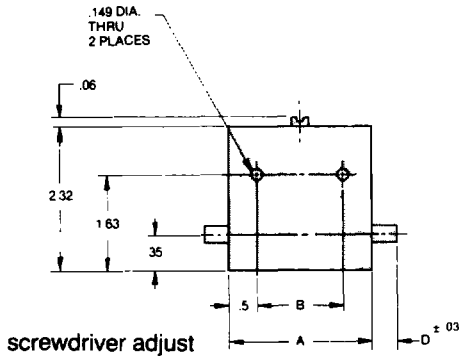


Figure 1
AV-18265 and
AV-26540



CONNECTOR	D
N	.94
TNC	.58
SMA	.30

Tolerances unless otherwise specified are: .xx, ± .02; .xxx, ± .005.

RLC ELECTRONICS, INC.

83 Radio Circle, Mt. Kisco, NY 10549
(914) 241-1334 • FAX: 914-241-1753

