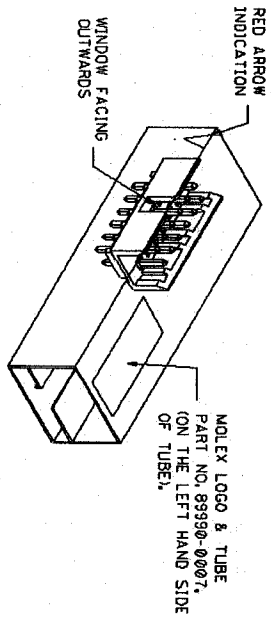
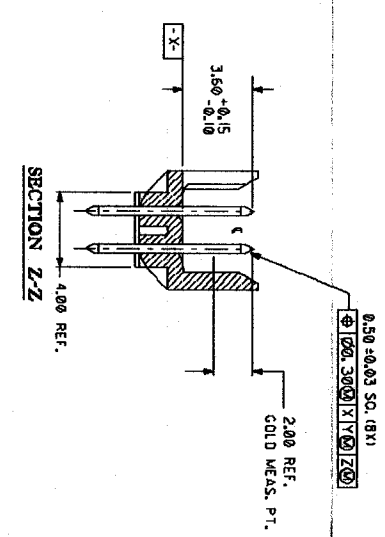
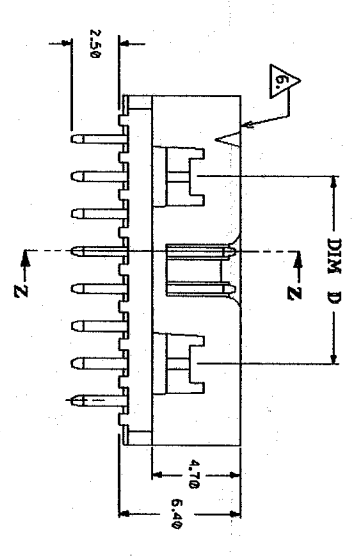
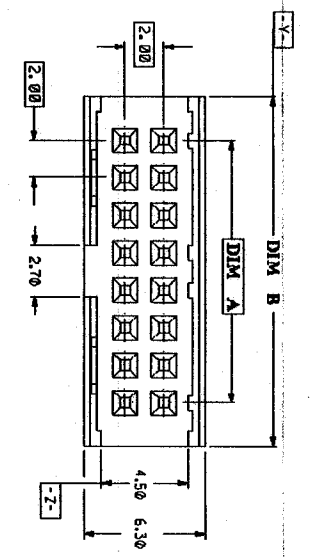
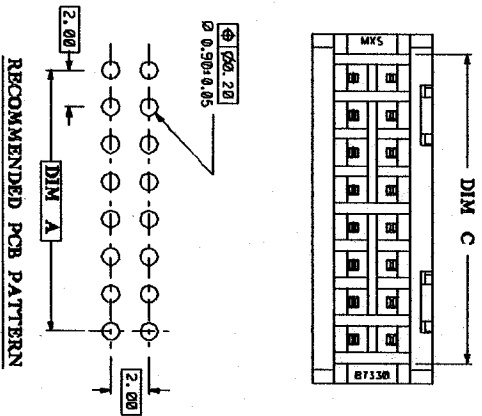


**MOLEX**

DO NOT SCALE DRAWING



**FIG.1: ORIENTATION OF PART IN TUBE.**  
(FOR THE REFERENCE OF PART/TUBE ASSEMBLY.)



AS	ADD NOTE 6 & SYMBOL (EQUIV 2008)	REV	589883
AI	ADD NOTE 10,12,14 & 58 AS PER FORM 96-03-0-006.	REV	589883
A	REL PER FORM 25-11-000	REV	589883
LTR	REVISION RECORD	REV	589883

MATERIAL :	HSG : 38% GF, NYLON 46 UL94V-0
COLOR :	BLACK
FINISH :	PIN : 0.50 MM SO. PHOSPHOR BRONZE
DRAWN BY :	95122 GMS
APPROD BY :	95122 GMS
SCALE :	1:1
DATE :	951221
DRWG. NO. :	SDI 87331-***31
GENERAL TOLERANCES :	± 0.20 / 0.08 / A3
TITLE :	MULTI-GRID 2MM VERTICAL SHROUDED HEADER WITH SLOT & STANDOFFS.

MM

- NOTES**
- FOR ILLUSTRATION PURPOSES, 16 CIRCUIT SIZE WAFER IS SHOWN.
  - PRODUCT SPECIFICATION: PS-87331 APPLIES.
  - PLATING : 0.35um/5u" GOLD MIN. IN CONTACT AREA AND 1.80um/75u" MIN. TIN/LEAD IN SOLDER TAIL AREA OVER L2UM/50U" MIN. NICKEL OVERALL.
  - PIN PUSHOUT FORCE 2 LBS MIN. BEFORE SOLDERING
  - NO SIDE LOCKING SLOT FROM 4 TO 12 CKT SIZE.
- △ CKT 4 & 6 HAS NO IDENTIFICATION TAG

PART NUMBER	SET SIZE	DIM A	DIM B	DIM C	DIM D
87331-0431	04	2.00	6.65	4.50	-
87331-0631	06	4.00	8.65	6.50	-
87331-0831	08	6.00	10.65	8.50	-
87331-1031	10	8.00	12.65	10.50	-
87331-1231	12	10.00	14.65	12.50	-
87331-1431	14	12.00	16.65	14.50	8.00
87331-1631	16	14.00	18.65	16.50	10.00
87331-1831	18	16.00	20.65	18.50	12.00
87331-2031	20	18.00	22.65	20.50	14.00
87331-2231	22	20.00	24.65	22.50	16.00
87331-2431	24	22.00	26.65	24.50	18.00
87331-2631	26	24.00	28.65	26.50	20.00
87331-2831	28	26.00	30.65	28.50	22.00
87331-3031	30	28.00	32.65	30.50	24.00
87331-3231	32	30.00	34.65	32.50	26.00
87331-3431	34	32.00	36.65	34.50	28.00
87331-3631	36	34.00	38.65	36.50	30.00
87331-3831	38	36.00	40.65	38.50	32.00
87331-4031	40	38.00	42.65	40.50	34.00
87331-4231	42	40.00	44.65	42.50	36.00
87331-4431	44	42.00	46.65	44.50	38.00
87331-4631	46	44.00	48.65	46.50	40.00
87331-4831	48	46.00	50.65	48.50	42.00
87331-5031	50	48.00	52.65	50.50	44.00

THIS DRAWING CONTAINS INFORMATION THAT IS PROPRIETARY TO MOLEX (S) PTE LTD AND SHOULD NOT BE USED WITHOUT WRITTEN PERMISSION