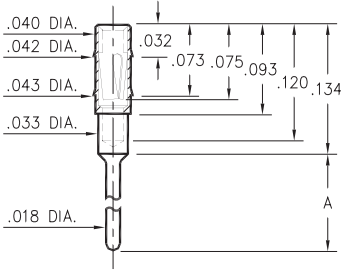


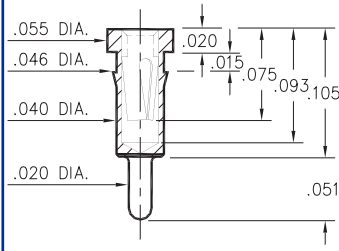
### 0489



Basic Part Number	Length A
0489-0	.102
0489-1	.199
0489-2	.299

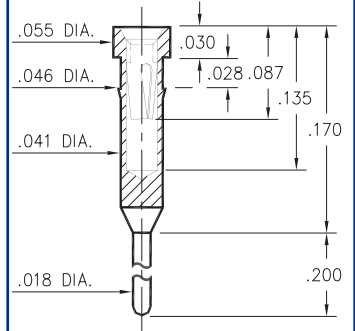
**0489-X-15-XX-11-XX-04-0**  
Press-fit in .041 mounting hole.

### 0463



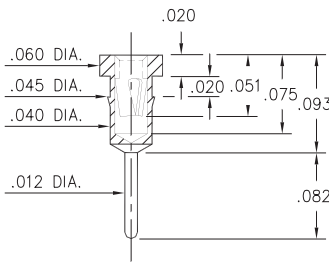
**0463-0-15-XX-21-XX-04-0**  
Press-fit in .043 mounting hole.  
shell is Phos. Br. Alloy 544 (B2)

### 0466



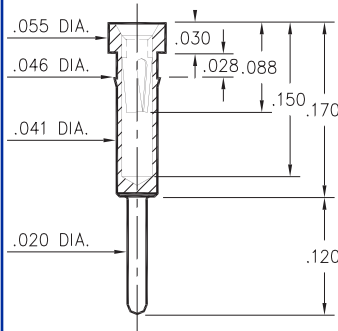
**0466-0-15-XX-21-XX-04-0**  
Press-fit in .043 mounting hole.  
shell is Phos. Br. Alloy 544 (B2)

### 7491



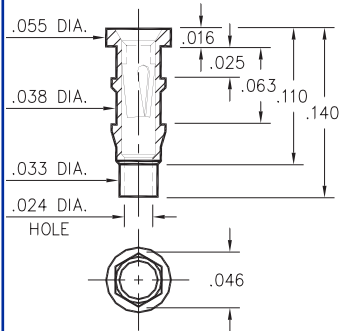
**7491-0-15-XX-X1-XX-04-0**  
Press-fit in .042 mounting hole

### 0462



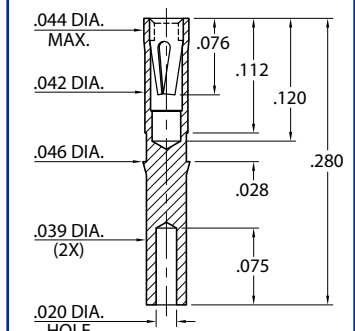
**0462-0-15-XX-X1-XX-04-0**  
Press-fit in .043 mounting hole

### 0560



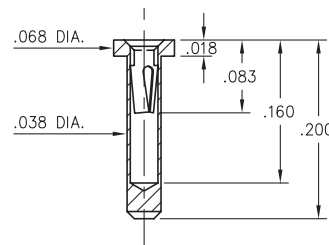
**0560-0-15-XX-11-XX-10-0**  
Hex press-fit in .043 plated thru hole

### 5557



**5557-0-19-XX-21-XX-10-0**  
Wire termination and Press-fit in .043 hole

### 5552



**5552-0-15-XX-05-XX-10-0**  
Solder mount in .040 min. mounting hole

#### SPECIFICATIONS

**SHELL MATERIAL:**  
Brass Alloy 360, 1/2 Hard

**CONTACT MATERIAL:**  
Beryllium Copper Alloy 172, HT

**DIMENSION IN INCHES**  
**TOLERANCES ON:**  
LENGTHS: ±.005  
DIAMETERS: ±.002  
ANGLES: ± 2°

**ORDER CODE: XXXX - X - XX - XX - XX - XX - XX - 0**

**BASIC PART #** →

**SPECIFY SHELL FINISH:**

- 01 200µ" TIN/LEAD OVER NICKEL
- 80 200µ" TIN OVER NICKEL ◊
- 15 10µ" GOLD OVER NICKEL ◊

**SPECIFY CONTACT FINISH:**

- 02 100µ" TIN/LEAD OVER NICKEL
- 84 100µ" TIN OVER NICKEL ◊
- 27 30µ" GOLD OVER NICKEL ◊



**SELECT CONTACT**

#05, #11 or #21 CONTACT (DATA ON PAGE 206 & 207)