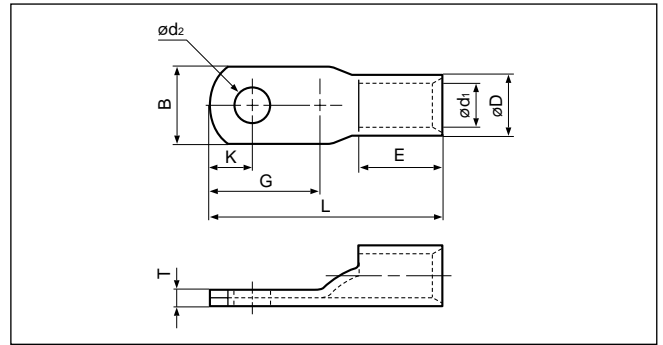
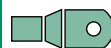


COPPER TUBULAR LUGS (One-hole)

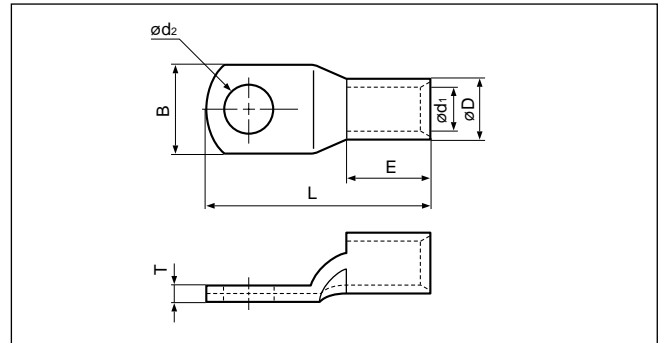


Applicable Wire AWG#(mm²)	Stud size		Part No.	Standard	Dimensions mm (in.)									Tool No.										Qty/box																																																			
	American	Metric			ød2	B	L	E	G	K	øD	ød1	T	YHT-2210	YHT-8S	YHT-14S	YA-1	YA-2	YA-4	YA-5	YPT-60-21	YPT-150-1	BCT-860		BCT-8150	YET-60-1	YET-150-1	YF-1	YET-300-1	YET-300N																																													
16 to 14 (1.04 to 2.63)	3-4	3	TU2-3		3.2 (.126)	7.0 (.276)	20.0 (.787)	7.0 (.276)	9.5 (.374)	4.0(.157)	4.0 (.157)	2.3 (.091)	1.3 (.051)	o																2,000																																													
	8	4	TU2-4		4.3 (.169)									o																																																													
12 to 10 (2.63 to 6.64)	3-4	3	TU5.5-3		3.2 (.126)	9.0 (.354)	21.5 (.847)	8.5 (.335)	9.5 (.374)	4.0(.157)	5.5 (.217)	3.4 (.134)	1.7 (.067)	o																1,000																																													
	8	4	TU5.5-4		4.3 (.169)									o																																																													
8 (6.64 to 10.52)	8	4	TU8-4		4.3 (.169)	10.0 (.394)	28.5(1.122)	11.0 (.433)	12.5 (.492)	5.8(.228)	7.1 (.280)	4.5 (.177)	2.4 (.095)	o																500																																													
	10	5	TU8-5		5.3 (.209)									o																																																													
6 (10.52 to 16.78)	8	4	TU14-4		4.3 (.169)	13.0 (.512)	34.0(1.339)	14.0 (.551)	14.5 (.571)	6.5(.256)	9.0 (.354)	5.8 (.228)	3.0 (.118)		o																																																												
	10	5	TU14-5		5.3 (.209)																																																																						
	1/4	6	TU14-6		6.4 (.252)																																																																						
4 (16.78 to 26.66)	10	5	TU22-5		5.3 (.209)	16.0 (.630)	37.5(1.476)	15.0 (.591)	17.0 (.669)	7.0(.276)	11.4 (.449)	7.7 (.303)	3.6 (.142)																																																														
	1/4	6	TU22-6		6.4 (.252)																																																																						
	5/16	8	TU22L-8		9.0 (.354)																																																																						
2 (26.66 to 42.42)	10	5	TU38-5		5.3 (.209)	19.0 (.748)	44.0(1.732)	18.0 (.709)	19.0 (.748)	8.5(.335)	13.3 (.524)	9.4 (.370)	3.8 (.150)																																																														
	1/4	6	TU38-6		6.4 (.252)																																																																						
	5/16	8	TU38L-8		9.0 (.354)																																																																						
	3/8	10	TU38L-10		11.0 (.433)																																																																						
1/0 (42.42 to 60.57)	10	5	TU60-5		5.3 (.209)	22.0 (.866)	55.5(2.185)	20.0 (.787)	26.0(1.024)	10.5(.413)	15.4 (.606)	11.4 (.449)	4.0 (.157)																																																														
	1/4	6	TU60-6		6.4 (.252)																																																																						
	5/16	8	TU60-8		9.0 (.354)																																																																						
	3/8	10	TU60L-10		11.0 (.433)																																																																						
	7/16	11	TU60L-11		12.0 (.472)																																																																						
2/0 (60.57 to 76.28)	10	5	TU60L-12		14.0 (.551)																																																																						
	1/4	6	TU70-6		6.4 (.252)	25.0 (.984)	58.5(2.303)	22.0 (.866)	26.0(1.024)	10.5(.413)	17.5 (.689)	13.3 (.524)	4.3 (.169)																																																														
	5/16	8	TU70-8		9.0 (.354)																																																																						
	3/8	10	TU70L-10		11.0 (.433)																																																																						
7/16	11	TU70L-11		12.0 (.472)																																																																							
3/0 (76.28 to 96.3)	10	5	TU70L-12		14.0 (.551)																																																																						
	1/4	6	TU80-6		6.4 (.252)	27.5 (1.083)	65.0(2.559)	24.5 (.965)	28.5(1.122)	11.5(.453)	19.4 (.764)	14.5 (.571)	5.1 (.201)																																																														
	5/16	8	TU80-8		9.0 (.354)																																																																						
	3/8	10	TU80L-10		11.0 (.433)																																																																						
	7/16	11	TU80L-11		12.0 (.472)																																																																						
7/16	12	TU80L-12		14.0 (.551)																																																																							
4/0 (96.3 to 117.2)	10	5	TU100-8		9.0 (.354)	31.5 (1.240)	71.0(2.795)	25.5 (1.004)	31.3(1.232)	14.5(.571)	22.0 (.866)	16.4 (.646)	5.7 (.224)																																																														
	3/8	10	TU100-10		11.0 (.433)																																																																						
	7/16	11	TU100M-11		12.0 (.472)																																																																						
	7/16	12	TU100M-12		14.0 (.551)																																																																						
	5/8	16	TU100M-16		18.0 (.709)																																																																						
	7/16	11	TU100L-11		12.0 (.472)																																																																						
	7/16	12	TU100L-12		14.0 (.551)																																																																						



Applicable Wire AWG#(mm ²)	Stud size		Part No.	Standard	Dimensions mm (in.)									Tool No.											Qty/box				
	American	Metric			ød ₂	B	L	E	G	K	øD	ød ₁	T	YHT-2210	YHT-8S	YHT-14S	YA-1	YA-2	YA-4	YA-5	YPT-60-21	YPT-150-1	BCT-860	BCT-8150		YET-60-1	YET-150-1	YET-300-1	YET-300N
														YF-1															
250/300 (117.2 to 152.05)	3/8	10	TU150-10		11.0 (.433)	38.0 (1.496)	88.0(3.465)	34.5 (1.358)	36.3(1.429)	16.5 (.650)	26.5 (1.043)	19.5 (.768)	7.0 (.276)																20
	7/16	11	TU150-11		12.0 (.472)																								
	7/16	12	TU150-12		14.0 (.551)																								
	5/8	16	TU150M-16		18.0 (.709)	95.5(3.760)	43.8(1.724)	20.0 (.787)	46.3(1.823)	20.0 (.787)																			
	3/4	20	TU150M-20		22.0 (.866)																								
	5/8	16	TU150L-16		18.0 (.709)																								
		3/4	20	TU150L-20		22.0 (.866)		98.0(3.858)																					
350 (152.05 to 192.60)	3/8	10	TU180-10		11.0 (.433)	41.0 (1.614)	92.0(3.622)	36.5 (1.437)	38.3(1.508)	16.5 (.650)	28.5 (1.122)	21.0 (.827)	7.7 (.303)																10
	7/16	11	TU180-11		12.0 (.472)																								
	7/16	12	TU180-12		14.0 (.551)																								
	5/8	16	TU180M-16		18.0 (.709)	104.0(4.095)	50.0(1.969)	22.5 (.886)	52.0(2.047)	22.5 (.886)																			
	3/4	20	TU180M-20		22.0 (.866)																								
	7/8	22	TU180M-22		24.0 (.945)																								
		5/8	16	TU180L-16		18.0 (.709)	106.0(4.173)	52.0(2.047)	22.5 (.886)																				
3/4	20	TU180L-20		22.0 (.866)																									
7/8	22	TU180L-22		24.0 (.945)																									
400 (192.60 to 242.27)	3/8	10	TU200-10		11.0 (.433)	46.0 (1.811)	101.0(3.976)	37.0 (1.457)	46.3(1.823)	21.0 (.827)	32.5 (1.280)	24.0 (.945)	8.5 (.335)															10	
	7/16	11	TU200-11		12.0 (.472)																								
	7/16	12	TU200-12		14.0 (.551)																								
	5/8	16	TU200M-16		18.0 (.709)	109.0(4.291)	54.0(2.126)	26.0(1.024)	58.0(2.284)	26.0(1.024)																			
	3/4	20	TU200M-20		22.0 (.866)																								
	7/8	22	TU200M-22		24.0 (.945)																								
		5/8	16	TU200L-16		18.0 (.709)	113.0(4.449)	58.0(2.284)	26.0(1.024)																				
3/4	20	TU200L-20		22.0 (.866)																									
7/8	22	TU200L-22		24.0 (.945)																									
600/650 (242.27 to 325)	3/8	10	TU325-10		11.0 (.433)	53.0 (2.087)	112.5(4.429)	42.0 (1.654)	51.8(2.039)	23.0 (.906)	37.0 (1.457)	28.0 (1.102)	9.0 (.354)															10	
	7/16	11	TU325-11		12.0 (.472)																								
	7/16	12	TU325-12		14.0 (.551)																								
	5/8	16	TU325M-16		18.0 (.709)	121.0(4.764)	60.0(2.362)	29.0(1.142)	66.0(2.598)	29.0(1.142)																			
	3/4	20	TU325M-20		22.0 (.866)																								
	1	27	TU325M-27		29.0(1.142)																								
		5/8	16	TU325L-16		18.0 (.709)	127.0(5.000)	66.0(2.598)	29.0(1.142)																				
	3/4	20	TU325L-20		22.0 (.866)																								
1	27	TU325L-27		29.0(1.142)																									

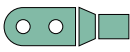
COPPER TUBULAR LUGS (One-hole)



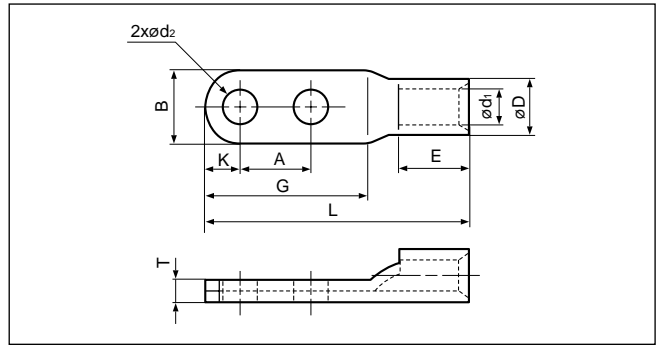
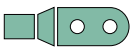
Applicable Wire AWG#(mm ²)	Stud size		Part No.	Standard	Dimensions mm (in.)							Tool No.	Qty/box
	American	Metric			ϕd_2	B	L	E	ϕD	ϕd_1	T		
16 to 13 (1.10 to 2.58)	4BA	3.5	TZ2-3.7		3.7 (.146)	6.8 (.268)	18.5 (.728)	7.0 (.276)	4.0 (.157)	2.3 (.091)	1.2 (.047)	-	1,000
	3/16	5	TZ2-5		5.2 (.205)	8.8 (.346)	19.0 (.748)	7.0 (.276)	4.0 (.157)	2.3 (.091)	0.9 (.035)		
14 to 11(2.45 to 4.32)	3/16	5	TZ3-5		5.4 (.213)	8.8 (.346)	19.0 (.748)	7.0 (.276)	4.3 (.169)	2.6 (.102)	1.0 (.039)	-	1,000
12 to 10 (3.16 to 5.29)	3/16	5	TZ5-5		5.2 (.205)	8.8 (.346)	19.0 (.748)	7.0 (.276)	5.0 (.197)	3.3 (.129)	1.2 (.047)	-	1,000
	1/4	6	TZ5-6		6.6 (.260)	10.4 (.410)	21.0 (.827)	7.0 (.276)	5.0 (.197)	3.3 (.129)	1.1 (.043)		
9 (6.77 to 7.10)	3/16	5	TZ7-5		5.2 (.205)	8.8 (.346)	20.0 (.787)	8.0 (.315)	5.5 (.217)	3.8 (.150)	1.4 (.055)	-	1,000
	1/4	6	TZ7-6		6.6 (.260)	10.4 (.410)	23.0 (.906)	8.0 (.315)	5.5 (.217)	3.8 (.150)	1.2 (.047)		
8 (8.06 to 9.68)	1/4	6	TZ9-6		6.6 (.260)	10.4 (.410)	27.5(1.083)	12.0 (.472)	6.9 (.272)	4.7 (.185)	1.9 (.075)	-	500
6 (12.90 to 14.80)	1/4	6	TZ14-6		6.6 (.260)	10.4 (.410)	27.5(1.083)	12.0 (.472)	7.8 (.307)	5.6 (.221)	2.2 (.087)	-	500
	5/16	8	TZ14-8		8.4 (.331)	12.7 (.500)	31.0(1.220)	12.0 (.472)	7.8 (.307)	5.6 (.221)	1.8 (.072)		
	3/8	10	TZ14-10		10.5 (.413)	14.5 (.571)	31.5(1.240)	12.0 (.472)	7.8 (.307)	5.6 (.221)	1.6 (.063)		
5 (18.10 to 18.70)	5/16	8	TZ18-8		8.4 (.331)	12.7 (.500)	32.0(1.260)	12.0 (.472)	8.5 (.335)	6.3 (.248)	2.0 (.079)	-	250
4 to 3 (20.60 to 25.80)	5/16	8	TZ26-8		8.4 (.331)	13.0 (.512)	34.0(1.339)	14.0 (.551)	9.5 (.374)	7.1 (.280)	2.2 (.087)	-	250
	3/8	10	TZ26-10		10.5 (.413)	14.5 (.571)	37.0(1.457)	14.0 (.551)	9.5 (.374)	7.1 (.280)	2.0 (.079)		
2 to 1 (32.00 to 40.00)	5/16	8	TZ40-8		8.4 (.331)	15.2 (.598)	39.0(1.535)	15.0 (.591)	11.0 (.433)	8.6 (.339)	2.4 (.094)	-	200
	3/8	10	TZ40-10		10.5 (.413)	15.2 (.598)	39.0(1.535)	15.0 (.591)	11.0 (.433)	8.6 (.339)	2.4 (.094)		
1/0 (49.00)	3/8	10	TZ50-10		10.5 (.413)	17.8 (.701)	39.0(1.535)	15.0 (.591)	12.5 (.492)	9.5 (.374)	3.0 (.118)	-	100
1/0 to 2/0 (51.60 to 67.70)	3/8	10	TZ60-10		10.5 (.413)	19.8 (.780)	44.0(1.732)	16.0 (.630)	14.0 (.551)	11.0 (.433)	3.0 (.118)	-	100
	1/2	12	TZ60-13		13.0 (.512)	19.8 (.780)	44.0(1.732)	16.0 (.630)	14.0 (.551)	11.0 (.433)	3.0 (.118)		
3/0 (77.4)	1/2	12	TZ80-13		13.0 (.512)	21.6 (.850)	44.0(1.732)	16.0 (.630)	15.8 (.622)	11.8 (.465)	4.0 (.157)	-	50
3/0 to 4/0 (80.60 to 100.00)	3/8	10	TZ100-10		10.5 (.413)	21.6 (.850)	51.0(2.008)	22.0 (.866)	17.5 (.689)	13.5 (.531)	4.0 (.157)	-	50
	1/2	12	TZ100-13		13.0 (.512)	21.6 (.850)	51.0(2.008)	22.0 (.866)	17.5 (.689)	13.5 (.531)	4.0 (.157)		
4/0 to 300MCM (106.0 to 133.0)	1/2	12	TZ130-13		13.0 (.512)	29.2(1.150)	55.0(2.165)	24.0 (.945)	20.0 (.787)	15.6 (.614)	4.4 (.173)	-	25
3/0 to 380MCM (130.0 to 160.0)	5/8	16	TZ160-17		17.0 (.669)	30.7(1.209)	65.0(2.559)	26.0(1.024)	22.0 (.866)	16.8 (.661)	5.2 (.205)	-	25
480MCM (197.0 to 205.0)	5/8	16	TZ200-17		17.0 (.669)	36.8(1.449)	67.0(2.638)	28.0(1.102)	25.4(1.000)	20.2 (.795)	5.2 (.205)	-	20

Note:1) This product requires somewhat longer for delivery.
 2) Contact JST concerning minimum lot size.

Solderless terminals



COPPER TUBULAR LUGS (Two-holes)



Applicable Wire AWG#(mm²)	Stud size		Part No.	Standard	Dimensions mm (in.)										Tool No.								Qty/box																
	American	Metric			ød2	B	L	E	G	K	A	øD	ød1	T	YHT-8S	YHT-14S	YA-4	YA-5	YPT-60-21	YPT-150-1	BCT-860	BCT-8150		YET-60-1	YET-150-1	YET-300-1	YET-300N												
8 (6.64 to 10.52)	8	4	TU8A-4		4.3(.169)	10.0 (.394)	40.5(1.595)	11.0 (.433)	25.0 (.984)	5.8(.228)	2.0 (.472)	7.1 (.280)	4.5 (.177)	2.4 (.095)	o	o	o	o	o	o	o	o	o	o	o	o	o	250											
	10	5	TU8A-5		5.3(.209)																																		
	1/4	6	TU8A-6		6.4(.252)																																		
6 (10.52 to 16.78)	8	4	TU14A-4		4.3(.169)	13.0 (.512)	45.5(1.791)	14.0 (.551)	26.5(1.043)	6.5(.256)	2.0 (.472)	9.0 (.354)	5.8 (.228)	3.0 (.118)	o	o	o	o	o	o	o	o	o	o	o	o	o	o	250										
	10	5	TU14A-5		5.3(.209)																																		
	1/4	6	TU14A-6		6.4(.252)																																		
4 (16.7 to 26.66)	10	5	TU22A-5		5.3(.209)	16.0 (.630)	53.0(2.087)	15.0 (.591)	33.0(1.299)	7.0(.276)	6.0 (.630)	11.4 (.449)	7.7 (.303)	3.6 (.142)					o	o	o	o	o	o	o	o	o	o	100										
	1/4	6	TU22A-6		6.4(.252)																																		
	5/16	8	TU22A-8		9.0(.354)																																		
2 (26.66 to 42.42)	10	5	TU38A-5		5.3(.209)	19.0 (.748)	62.0(2.441)	18.0 (.709)	37.5(1.476)	8.5(.335)	6.0 (.630)	13.3 (.524)	9.4 (.370)	3.8 (.150)					o	o	o	o	o	o	o	o	o	o	50										
	1/4	6	TU38A-6		6.4(.252)																																		
	5/16	8	TU38A-8		9.0(.354)																																		
1/0 (42.42 to 60.57)	3/8	10	TU60A-10		11.0(.433)	22.0	86.0(3.386)	20.0	56.0(2.205)	13.0(.512)	28.0(1.102)	15.4	11.4	4.0					o	o	o	o	o	o	o	o	o	o	50										
	3/8	10	TU60B-10		11.0(.433)	22.0	86.0(3.386)	20.0	56.0(2.205)	13.0(.512)	28.0(1.102)	15.4	11.4	4.0					o	o	o	o	o	o	o	o	o	o	50										
2/0 (60.57 to 76.28)	3/8	10	TU70A-10		11.0(.433)	25.0	90.0(3.543)	22.0	57.0(2.244)	13.5(.532)	28.0(1.102)	17.5	13.3	4.3					o	o	o	o	o	o	o	o	o	o	50										
	3/8	10	TU70B-10		11.0(.433)	25.0	90.0(3.543)	22.0	57.0(2.244)	13.5(.532)	28.0(1.102)	17.5	13.3	4.3					o	o	o	o	o	o	o	o	o	o	50										
3/0 (76.28 to 96.3)	3/8	10	TU80A-10		11.0(.433)	27.5	95.0(3.740)	24.5	58.0(2.284)	13.5(.532)	28.0(1.102)	19.4	14.5	5.1					o	o	o	o	o	o	o	o	o	25											
	3/8	10	TU80B-10		11.0(.433)	27.5	95.0(3.740)	24.5	58.0(2.284)	13.5(.532)	28.0(1.102)	19.4	14.5	5.1					o	o	o	o	o	o	o	o	o	25											
4/0 (96.3 to 117.2)	3/8	10	TU100A-10		11.0(.433)	31.5	99.0(3.898)	25.5	59.0(2.323)	14.5(.571)	28.0(1.102)	22.0	16.4	5.7														25											
	3/8	10	TU100B-10		11.0(.433)	31.5	99.0(3.898)	25.5	59.0(2.323)	14.5(.571)	28.0(1.102)	22.0	16.4	5.7														25											
250/300MCM (117.2 to 152.05)	1/2	12	TU150A-12		14.0(.551)	38.0	128.0(5.039)	34.5	76.0(2.992)	16.5(.650)	40.0(1.575)	26.5	19.5	7.0					o	o	o	o	o	o	o	o	o	10											
	1/2	12	TU150B-12		14.0(.551)	38.0	128.0(5.039)	34.5	76.0(2.992)	16.5(.650)	40.0(1.575)	26.5	19.5	7.0					o	o	o	o	o	o	o	o	o	10											
350MCM (152.05 to 192.6)	1/2	12	TU180A-12		14.0(.551)	41.0	132.0(5.197)	36.5	78.0(3.071)	16.5(.650)	40.0(1.575)	28.5	21.0	7.7														10											
	1/2	12	TU180B-12		14.0(.551)	41.0	132.0(5.197)	36.5	78.0(3.071)	16.5(.650)	40.0(1.575)	28.5	21.0	7.7														10											
400MCM (192.6 to 242.27)	1/2	12	TU200A-12		14.0(.551)	46.0	141.0(5.551)	37.0	86.0(3.386)	21.0(.827)	40.0(1.575)	32.5	24.0	8.5														5											
	1/2	12	TU200B-12		14.0(.551)	46.0	141.0(5.551)	37.0	86.0(3.386)	21.0(.827)	40.0(1.575)	32.5	24.0	8.5														5											
600/650MCM (242.27 to 325.0)	1/2	12	TU325A-12		14.0(.551)	53.0	152.5(6.004)	42.0	91.5(3.602)	23.5(.925)	40.0(1.575)	37.0	28.0	9.0														5											
	1/2	12	TU325B-12		14.0(.551)	53.0	152.5(6.004)	42.0	91.5(3.602)	23.5(.925)	40.0(1.575)	37.0	28.0	9.0														5											