

DASH NO	TABLE 1
-1	TERM (NO CHAIN)
-2	TERM WITH 2.5 BRASS CHAIN
-3	TERM WITH 2.5 NYLON CHAIN
-4	TERM WITH 3.0 BRASS CHAIN
-5	TERM WITH 3.0 NYLON CHAIN
-6	TERM WITH 6.0 BRASS CHAIN
-7	TERM WITH 6.0 NYLON CHAIN
-8	TERM WITH 4.0 BRASS CHAIN
-9	TERM WITH 4.0 NYLON CHAIN
-10	TERM WITH 10.0 BRASS CHAIN
-11	TERM WITH 10.0 NYLON CHAIN
-12	TERM WITH 2.5 SST ROPE
-13	TERM WITH 3.0 SST ROPE
-14	TERM WITH 6.0 SST ROPE
-15	TERM WITH 4.0 SST ROPE
-16	TERM WITH 7.0 SST ROPE

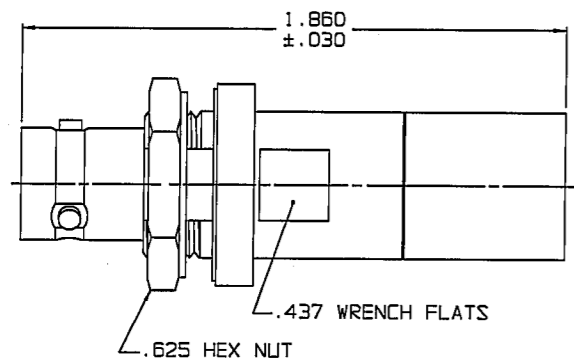
TABLE 2		
MODEL NO	LTR CODE	TYPE
TNGBJ1		3-LUG
TNGBJFL1	A	4-LUG
TNGBJTL1	B	2-LUG

TABLE 3				
DASH NO	"A" DIA	"B" DIA	"C" DIM	"D" DIM
-D1	0.755	0.875	1.191	0.513
-D2	0.630	0.750	1.066	0.450
-D3	0.505	0.625	0.941	0.388
-D4	0.439	0.562	0.878	0.356
-D5	0.380	0.500	0.816	0.325
-D6	0.317	0.437	0.753	0.294
-D7	0.281	0.406	0.722	0.278
-D8	0.610	0.750	1.066	0.450
-D08	0.330	0.450	0.766	0.300
-D9	0.567	0.687	1.003	0.419
-D10	0.192	0.312	0.628	0.231
-D11	1.005	1.125	1.441	0.638

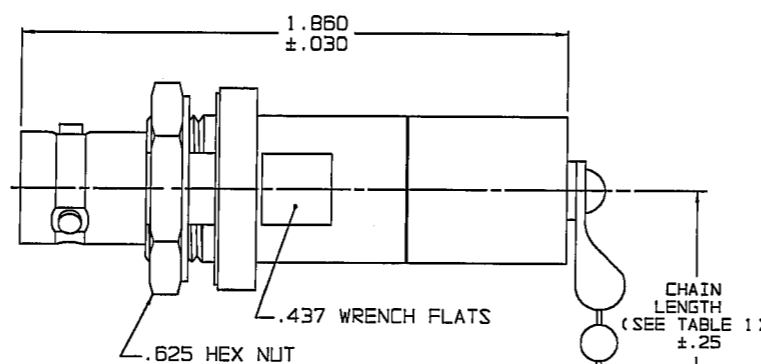
DATA CONTAINED IN THIS DOCUMENT IS PROPRIETARY TO TROMPETER ELECTRONICS INC. AND SHALL NOT BE DISCLOSED, COPIED OR USED FOR PROCUREMENT OR MANUFACTURE WITHOUT EXPRESS WRITTEN PERMISSION OF TROMPETER ELECTRONICS INC.

REVISIONS		305-0404	SH 1
REV	DESCRIPTION	DATE	APPROVED
L	REVISED PER ECO 15909	7/6/05	BS

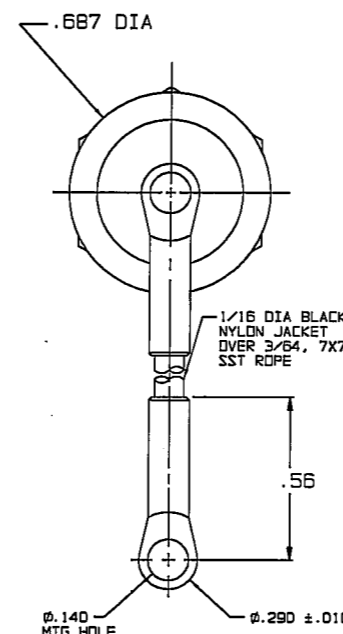
RED INDICATES ORIGINAL



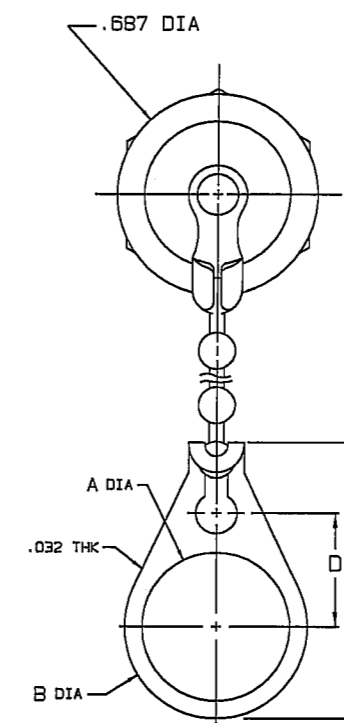
-1- \triangle SHOWN
NO CHAIN/ROPE OR MOUNTING LUG



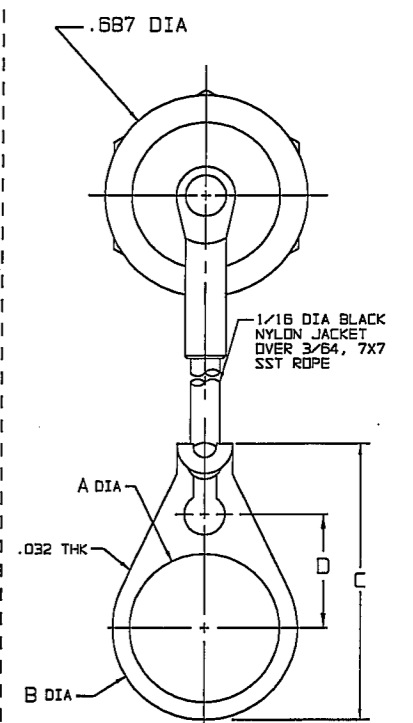
-2- \triangle SHOWN
-11- \triangle SHOWN
STANDARD CHAIN & MOUNTING LUG



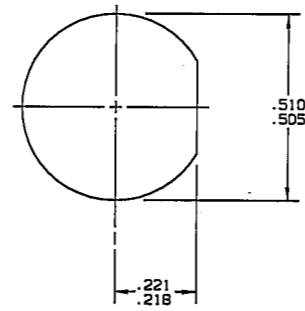
-12- \triangle THRU
-16- \triangle SHOWN
STAINLESS STEEL ROPE AND MOUNTING LUG



-2- \triangle -D2 THRU
-11- \triangle -D11 SHOWN
STANDARD CHAIN AND BULKHEAD JACK MOUNTING LUG

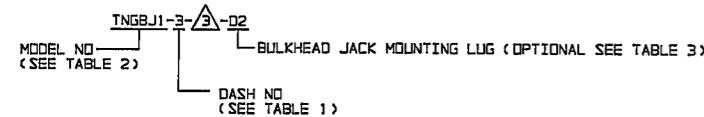


-12- \triangle -D2 THRU
-16- \triangle -D11 SHOWN
STAINLESS STEEL ROPE AND BULKHEAD JACK MOUNTING LUG



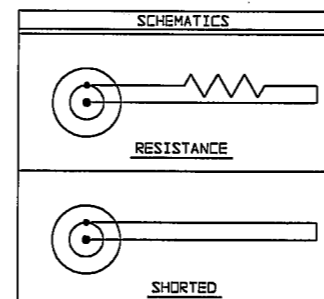
RECOMMENDED
PANEL CUTOUT

- MAX PANEL THK .109
- EXAMPLE OF COMPLETE MODEL NO:



- 2, 3 & 4-LUG TERMINATED CONCENTRIC TWIAX/ TRIAX NON-INSULATED BULKHEAD MOUNT JACK WITH CHAIN & SST ROPE OPTIONS
- RESISTANCE VALUE IN OHMS (1/2 W, 1%)
- S* = CONTACT SHORTED TO SHIELD (NO RESISTOR)
- D* = LOOSELY ASSEMBLED (NO RESISTOR)

- FINISH: TFS-1A (NICKEL)
- ALL DIMENSIONS ARE IN INCHES



INTERPRET DRAWING PER MIL-STD-100 DIMENSIONS ARE IN INCHES AND INCLUDE FINISH THICKNESS UNLESS OTHERWISE SPECIFIED	TOL: UNLESS SPECIFIED .XX ±.03 .XXX ±.005 .XXXX ANGLES MATERIAL:		TITLE: TNGBJ1/TNGBJFL1/TNGBJTL1
DRAWN: AAH CHECKED: JKL QUALITY: N/S MANUF: JK APPROVED: BS	DATE: 7-1-05 DATE: 7/5/05 DATE: 7/5/05 DATE: 7/6/05		FINISH: SIZE: B CAGE CODE: 14949 DRAWING NO.: 305-0404 SCALE: NONE DATE: 1-23-80 SHEET: 1C
NEXT ASSY	CAD FILE NO: 305-0404L	DO NOT SCALE DWG	