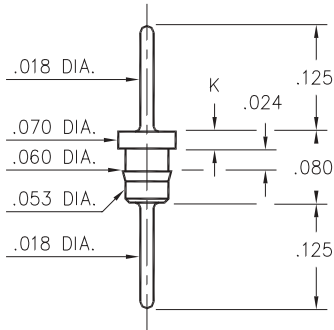


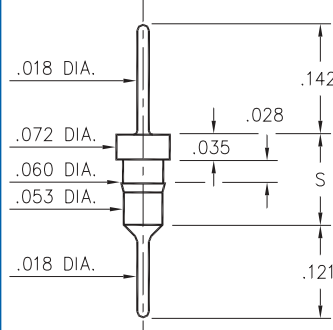
1752/6458



Basic Part Number	Length K
1752-0	.020
6458-0	.035

XXXX-0-00-XX-00-00-03-0
Press-fit in .057 mounting hole

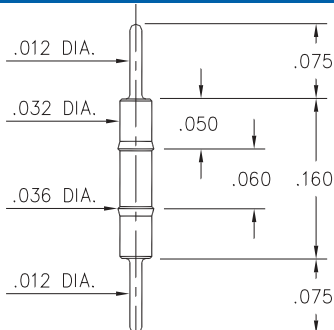
3413/8404



Basic Part Number	Length S
3413-0	.118
8404-0	.131

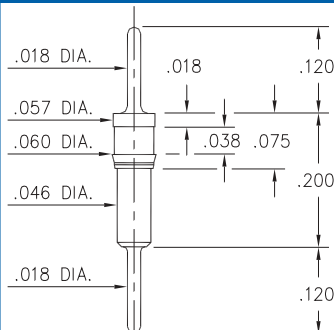
X4XX-0-00-XX-00-00-03-0
Press-fit in .057 mounting hole

9075



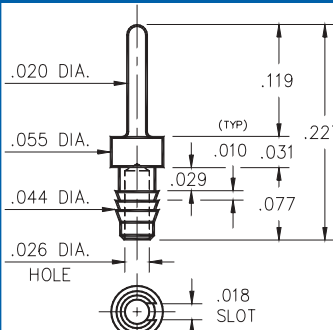
9075-0-00-XX-00-00-03-0
Press-fit in .034 mounting hole

9218



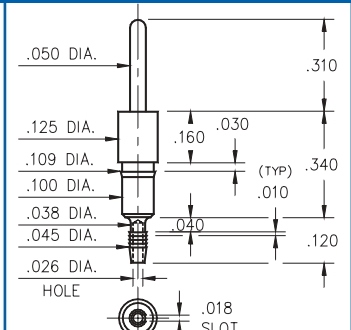
9218-0-00-XX-00-00-03-0
Press-fit in .057 mounting hole

2617



2617-0-01-XX-00-00-03-0
Compliant press-fit in .040 ±.003 hole. For .060 → .100 thick board

8995



8995-0-01-XX-00-00-03-0
Compliant press-fit in .040 ±.003 hole. For .060 → .100 thick board

SPECIFICATIONS

PIN MATERIAL:
Brass Alloy 360, 1/2 Hard
(Except where noted)

DIMENSION IN INCHES
TOLERANCES ON:
LENGTHS: ±.005
DIAMETERS: ±.002
ANGLES: ± 2°

ORDER CODE: XXXX - X - XX - XX - 00 - 00 - 0X - 0

BASIC PART # →

SPECIFY PIN FINISH:

- 01** 200μ" TIN/LEAD OVER NICKEL
- 15** 10μ" GOLD OVER NICKEL
- 21** 20μ" GOLD OVER NICKEL
- 34** 50μ" GOLD OVER NICKEL