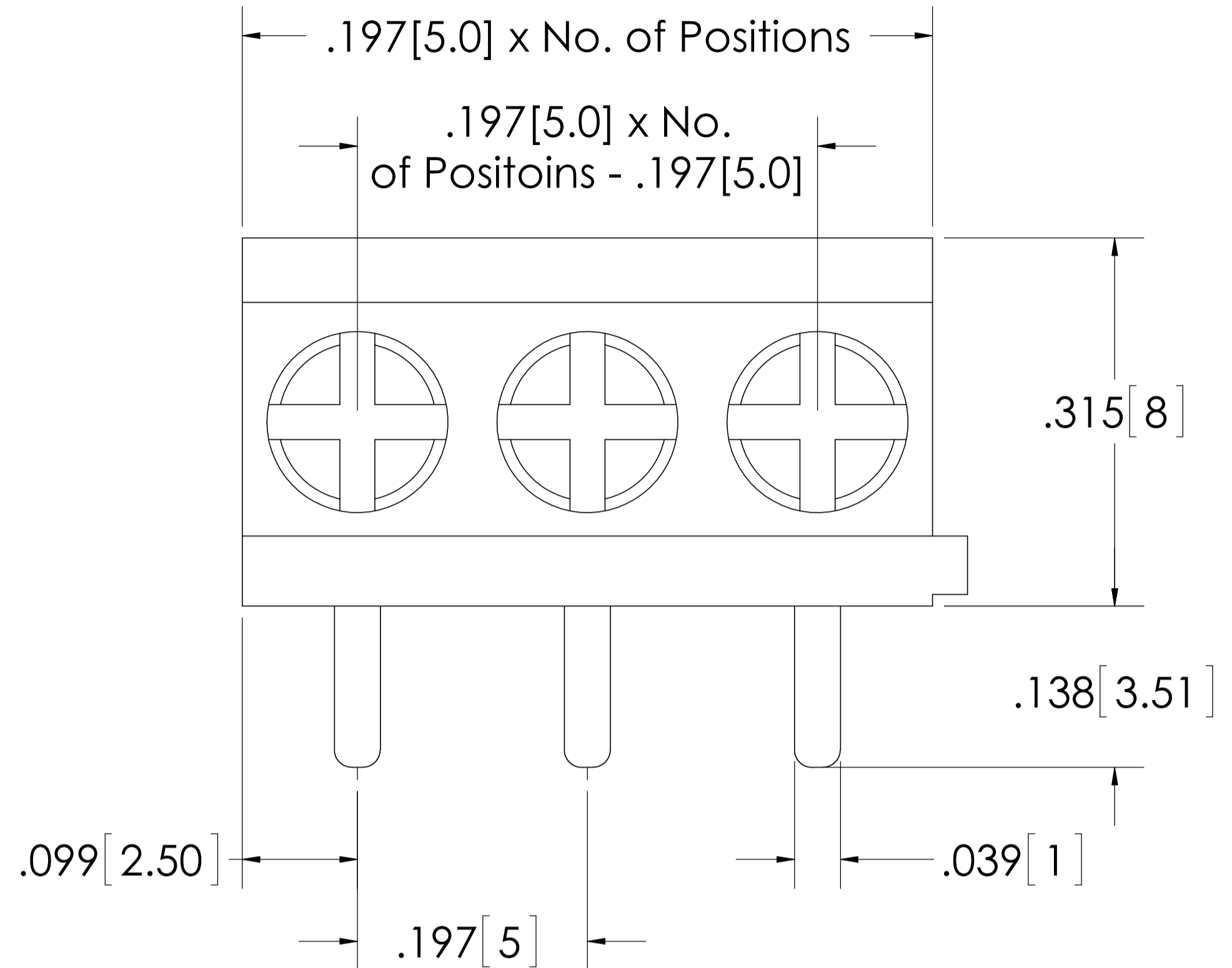
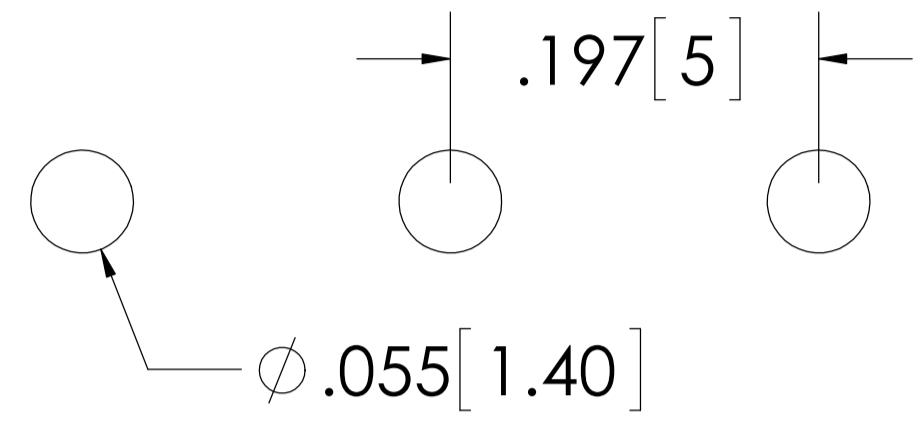


8 7 6 5 4 3 2 1



**RECOMMENDED P.C.B. LAYOUT**

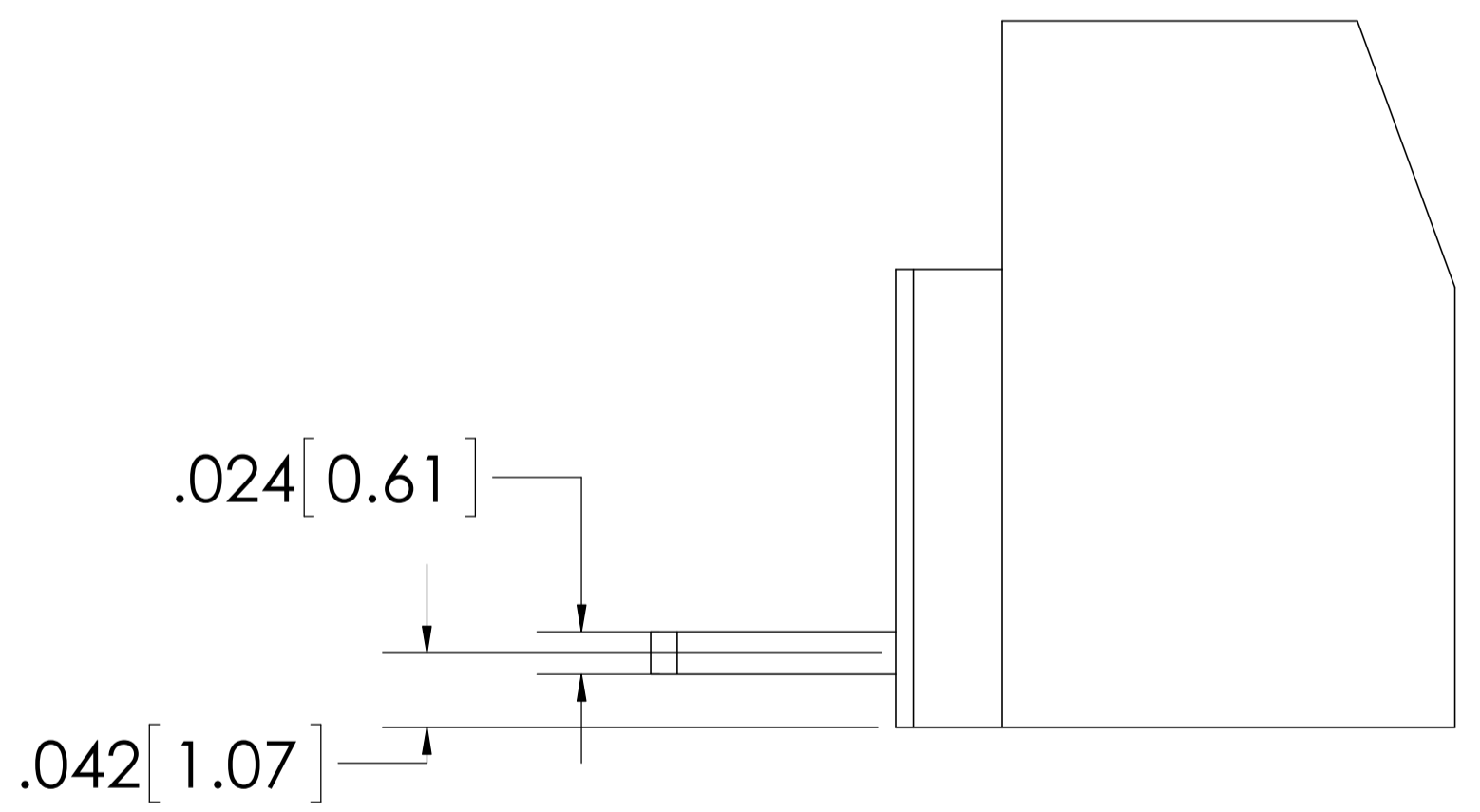
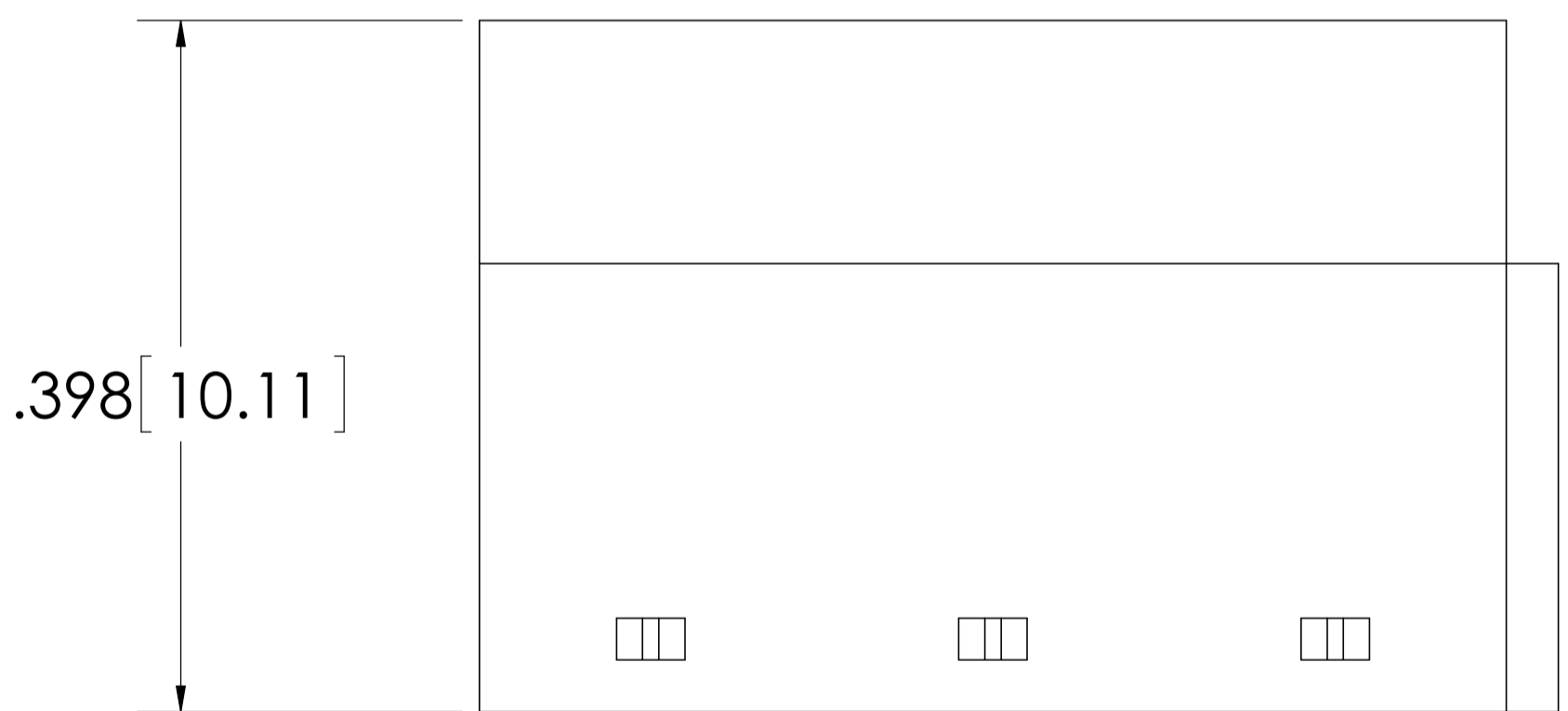
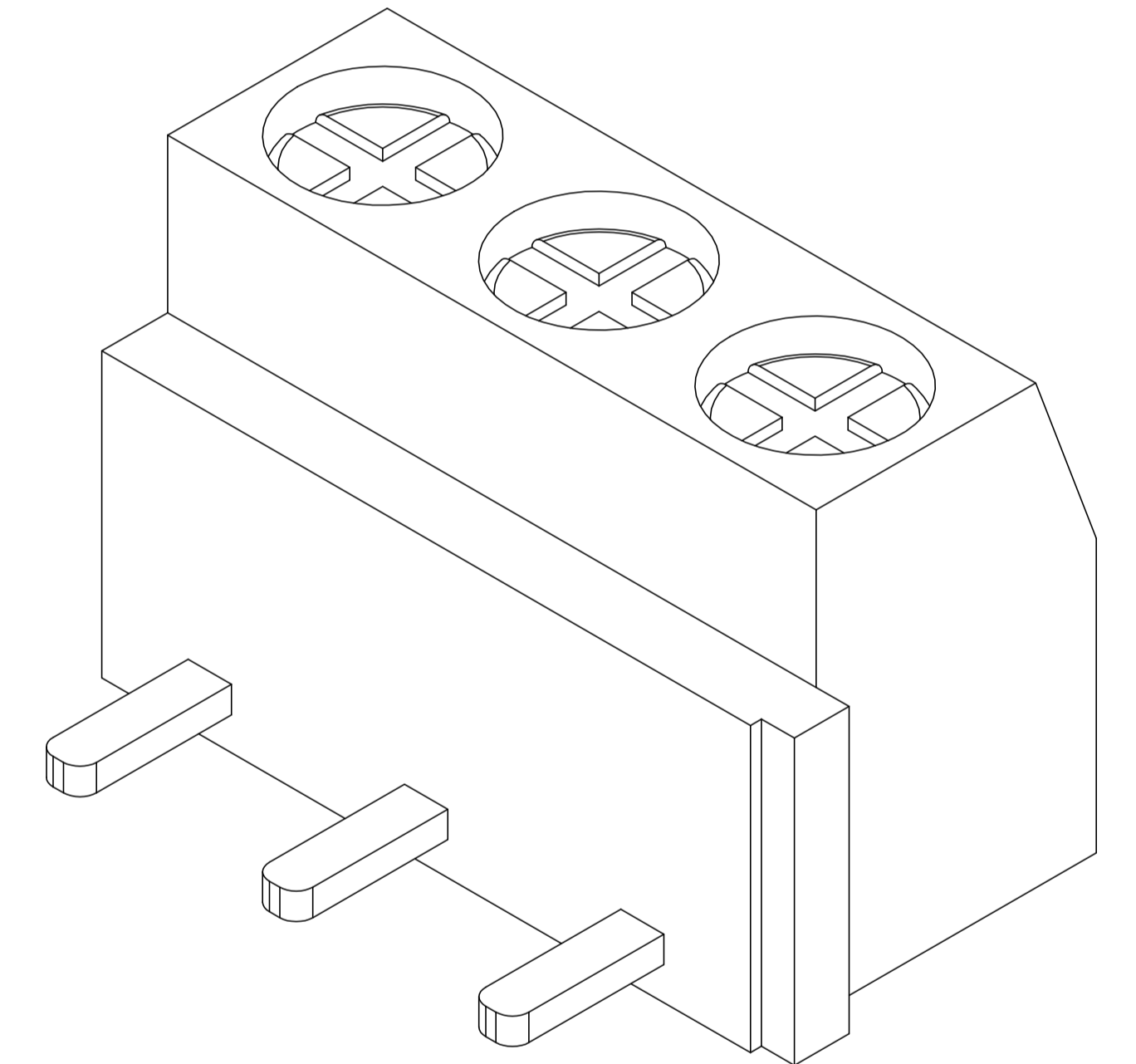


**Material:**  
 Screws: M2.5 Steel Zinc Plated  
 Wire Guard: Phosphor Bronze NI plate or Stainless Steel

**Pin Header:** Brass, Tin Plated  
 Housing: PA66, UL94V-0

**Electrical:**  
 Rated Voltage: 300V  
 Rated Current: 10A  
 Contact Resistance: 20mOhm  
 Insulation Resistance: 5000MOhm/1000V  
 Withstanding Voltage: AC2000V/1 Min  
 Wire Range: 26-14 AWG

**Mechanical:**  
 Temp. Range: -40°C to +105°C  
 Max Soldering L: +250°C for 5 seconds  
 Torque: 0.4Nm (3.61B.IN)  
 Strip Length: 6-7mm



**Ordering Information**

**TBR-06-197 - XX - XX - LF**

**No. of Positions**  
 02, 03, 08, 16

**Color**  
 GR = GREEN  
 BL = BLUE  
 BK = BLACK  
 RD = RED

**Lead Free**

UNLESS OTHERWISE SPECIFIED:		DATE	NAME
DIMENSIONS ARE IN INCHES TOLERANCES: ONE PLACE DECIMALS ±.100 TWO PLACE DECIMAL ±.010 THREE PLACE DECIMAL ±.005 FOUR PLACE DECIMAL ±.002		DRAWN 03/27/13	GWE
INTERPRET GEOMETRIC TOLERANCING PER:		CHECKED 03/27/13	DRC
MATERIAL	--	ENG APPR.	
FINISH	--	MFG APPR.	
		Q.A.	
		COMMENTS:	



4235 Earnings Way  
 New Albany, IN 47150  
 Phone: 812-944-7244 Fax: 812-944-7268  
 e-Mail: mle@mllelectronics.com

TITLE: TBR-06-197		
SIZE <b>B</b>	DWG. NO. Q:ASSEM/TB/TBR-06-197	REV <b>A</b>
SCALE: 4:1	WEIGHT:	SHEET 1 OF 1

**PROPRIETARY AND CONFIDENTIAL**  
 THE INFORMATION CONTAINED IN THIS DRAWING IS THE SOLE PROPERTY OF MAJOR LEAGUE ELECTRONICS. ANY REPRODUCTION IN PART OR AS A WHOLE WITHOUT THE WRITTEN PERMISSION OF MAJOR LEAGUE ELECTRONICS IS PROHIBITED.

8 7 6 5 4 3 2 1