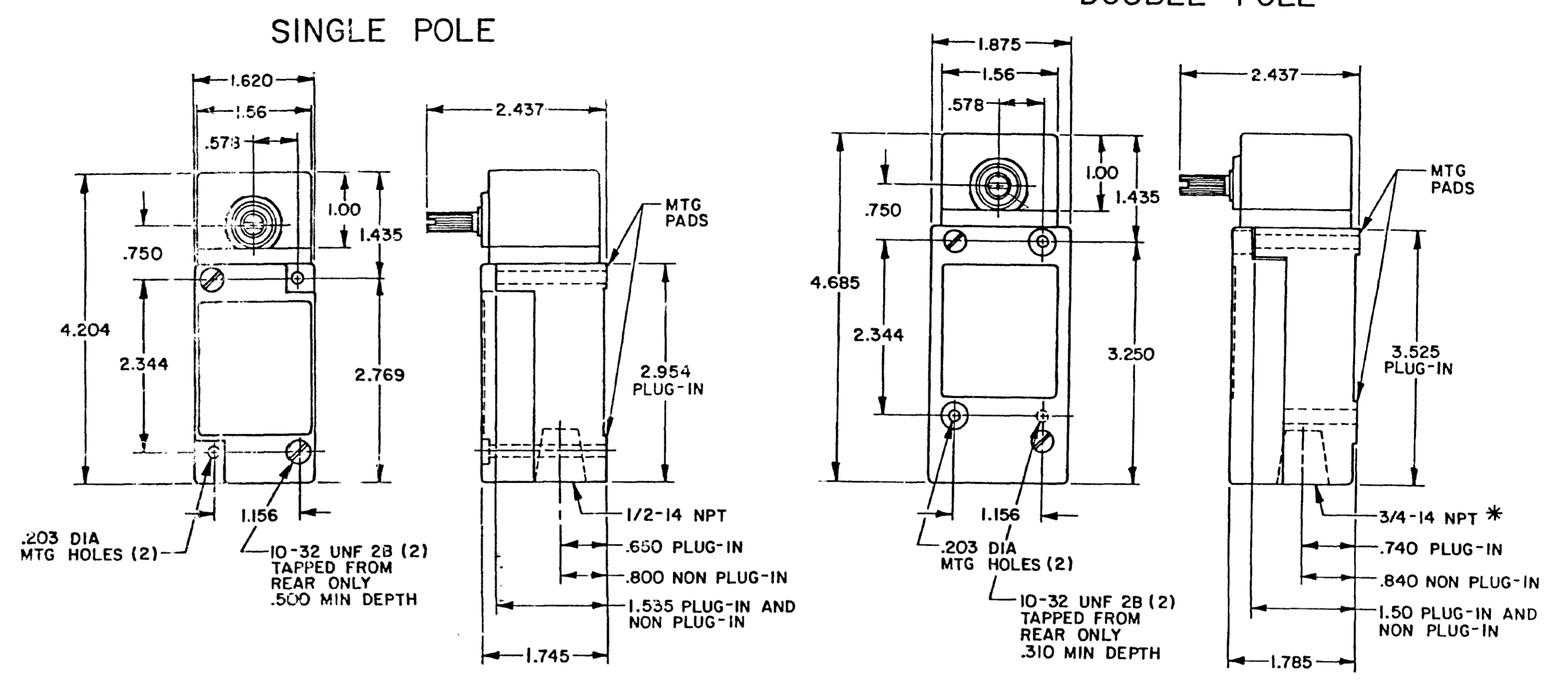


OPERATING CHARACTERISTICS	LSA		LSR		LSN	LSP		LSH	
	MOMENTARY		MOMENTARY LOW TORQUE		MAINTAINED	MOMENTARY LOW PRETRAVEL AND DIFF. TRAVEL		MOMENTARY LOW PRETRAVEL AND LOW TORQUE	
PRETRAVEL(MAX)	15°		15°		15°	9°		9°	
OVERTRAVEL(MIN)	60°		60°		20°	66°		66°	
DIFFERENTIAL TRAVEL(MAX)	SINGLE POLE	DOUBLE POLE	SINGLE POLE	DOUBLE POLE	40°	SINGLE POLE	DOUBLE POLE	SINGLE POLE	DOUBLE POLE
	5°	7°	5°	7°		3°	4°	3°	4°
TOTAL TRAVEL (REF)	75°		75°		90°	75°		75°	
OPERATING TORQUE(MAX)	4 IN. LBS		1.7 IN. LBS		4 IN. LBS	4 IN. LBS		1.7 IN. LBS	
FULL TRAVEL TORQUE(MAX)	4 IN. LBS		1.7 IN. LBS			4 IN. LBS		1.7 IN. LBS	
OPERATING CHARACTERISTICS	LSU		LSL	LSM	LST	LSS			
	LOW PRETRAVEL		SEQUENCE DOUBLE POLE ONLY	CENTER NEUTRAL DOUBLE POLE ONLY	MOMENTARY	GRAVITY RETURN			
PRETRAVEL(MAX)	5°		1ST STEP 15° 2ND STEP 10° ADD'L	18°	15°	NOT APPLICABLE			
OVERTRAVEL(MIN)	70°		48°	57°	60°	NOT APPLICABLE			
DIFFERENTIAL TRAVEL(MAX)	SINGLE POLE	DOUBLE POLE	5°	10°	5°	12°			
	5°	4°							
TOTAL TRAVEL (REF)	75°		75°	75°	75°	360°			
OPERATING TORQUE(MAX)	4 IN. LBS		4 IN. LBS	4 IN. LBS	12 IN-OZ	5 IN-OZ			
FULL TRAVEL TORQUE(MAX)	4 IN. LBS		4 IN. LBS	4 IN. LBS	12 IN-OZ	5 IN-OZ			

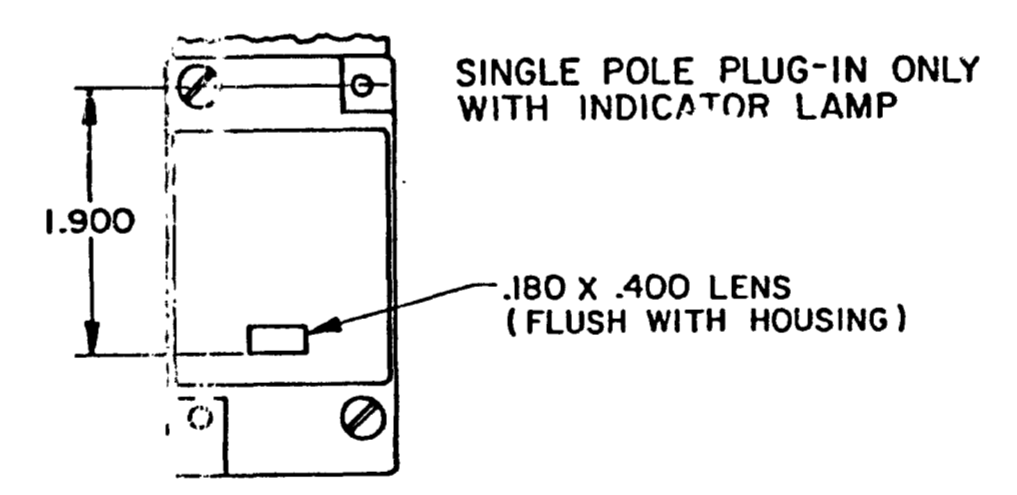
SIDE ROTARY



TYPE: LSA1, LSH1, LSN1, LSP1, LSR1
LSA3, LSH3, LSN3, LSP3, LSR3
LSS1, LST1

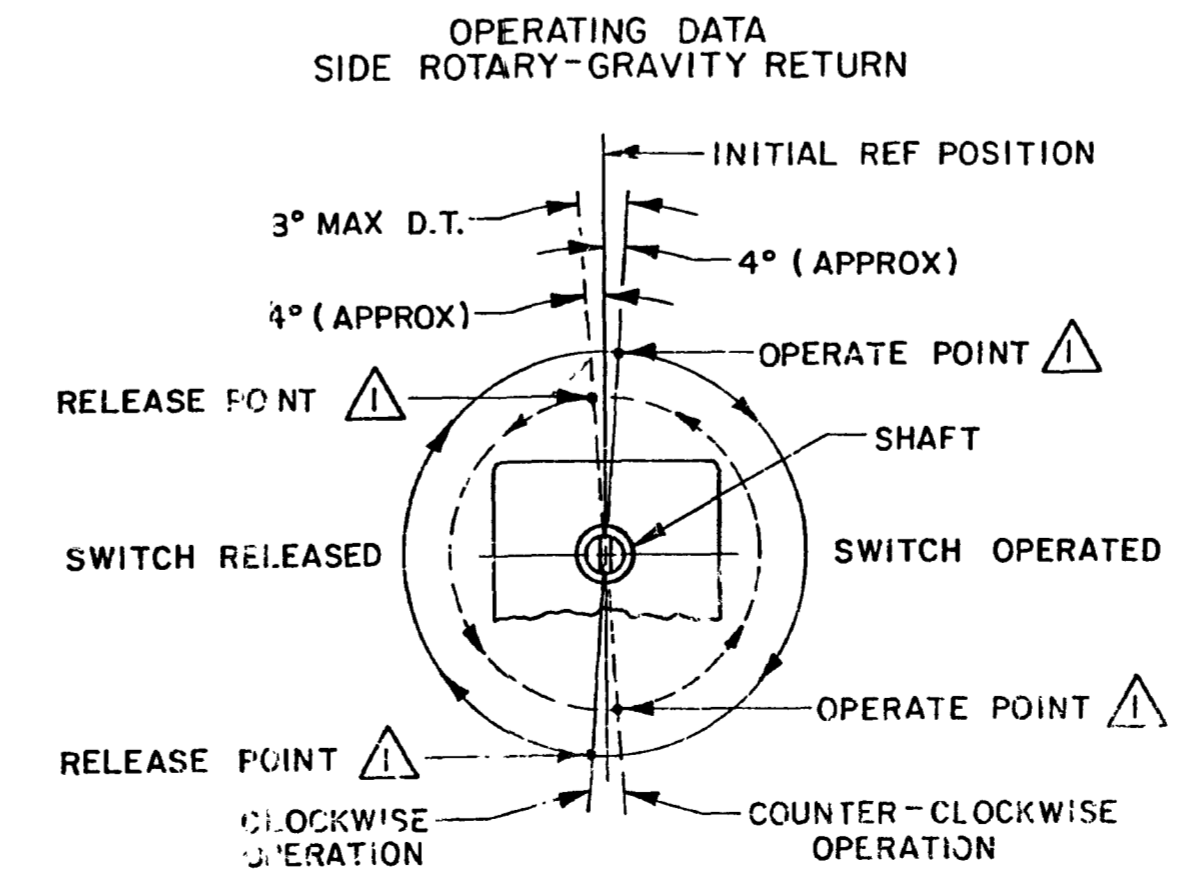
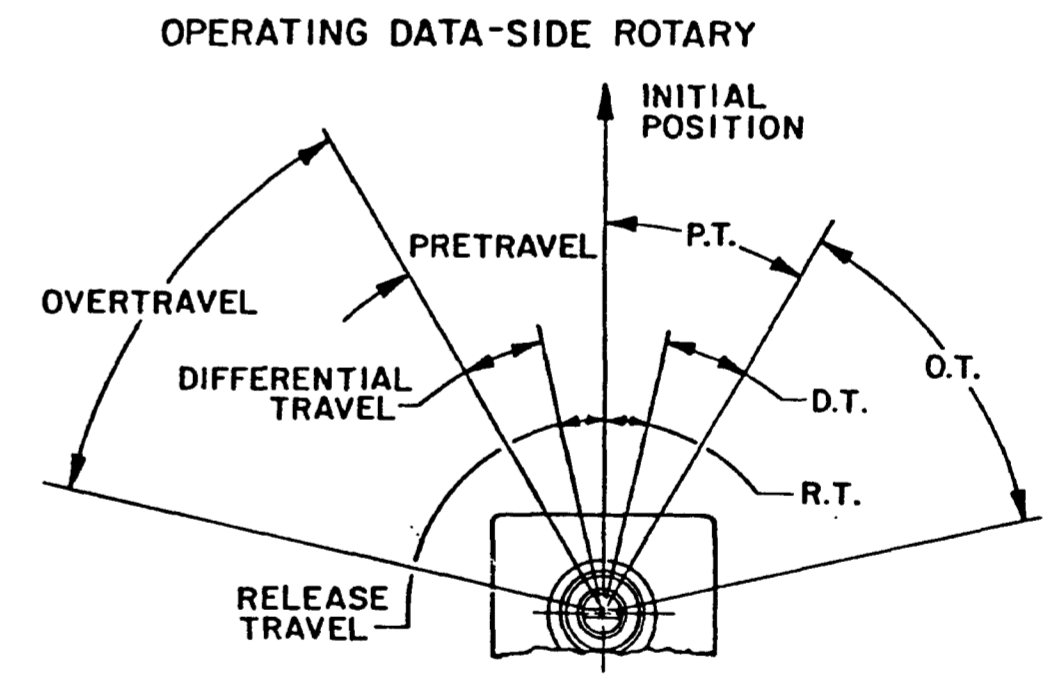
TYPE: LSA2, LSH2, LSM2, LSN2, LSP2, LSR2
LSA4, LSH4, LSM4, LSN4, LSP4, LSR4

*LSA6, LSH6, LSM6, LSN6, LSP6, LSR6
LSA7, LSH7, LSM7, LSN7, LSP7, LSR7 HAVE
1/2-14 NPT CONDUIT HOLE

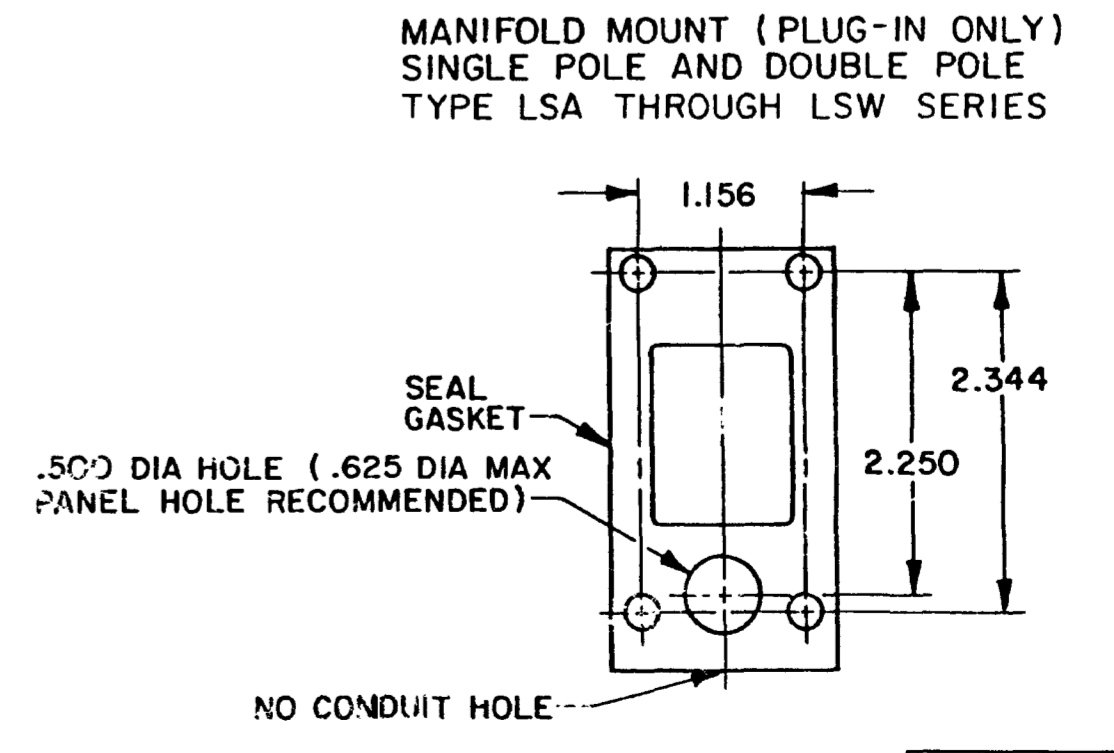


120 LAMP VOLTAGE -
TYPE LSA5, LSH5, LSN5, LSP5, LSR5

240 LAMP VOLTAGE -
TYPE LSA8, LSH8, LSN8, LSP8, LSR8



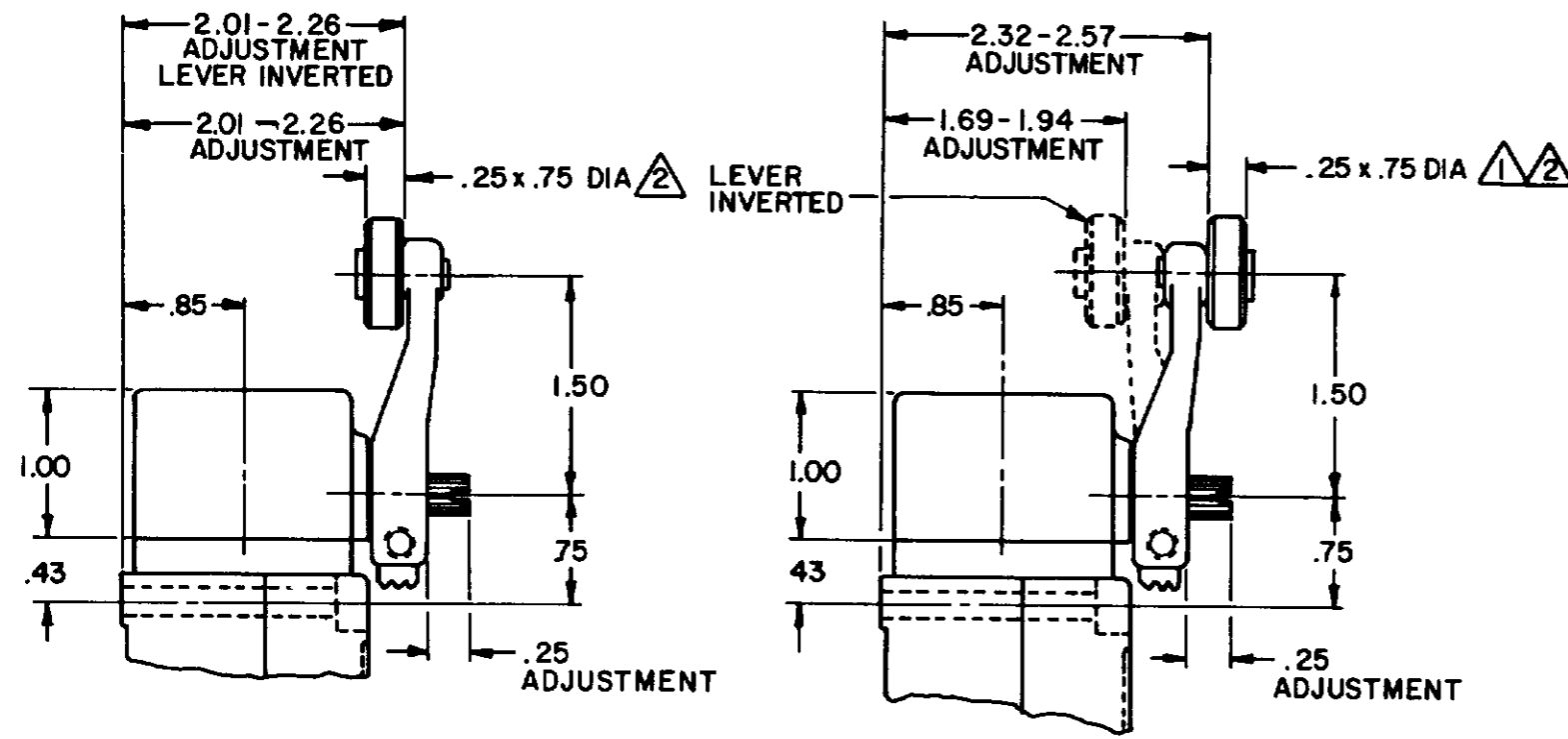
NOTE
△ OPERATE AND RELEASE POINTS WILL EXCHANGE LOCATIONS IF SHAFT IS ROTATED 180°



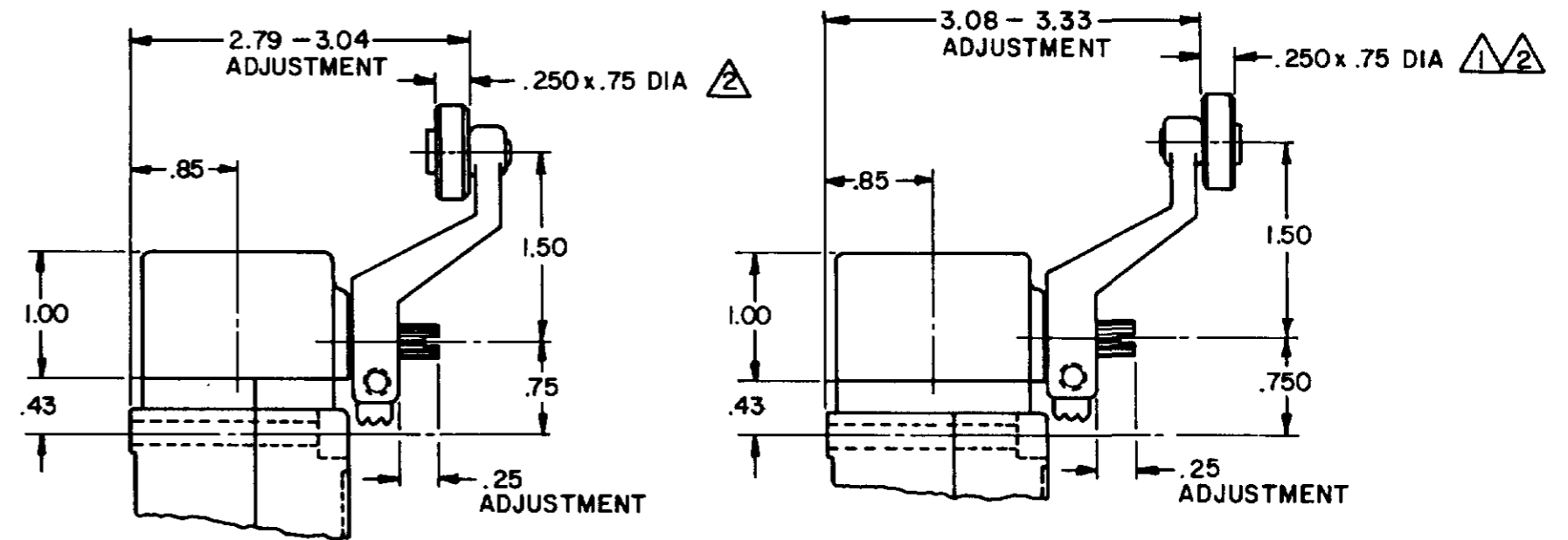
THIRD ANGLE PROJECTION
SCALE NONE
DO NOT SCALE PRINT
UNLESS OTHERWISE SPECIFIED TOLERANCES ARE
ONE PLACE (.0) ±.030
TWO PLACES (.00) ±.015
THREE PLACES (.000) ±.005
ANGLES ±
WEIGHT

CATALOG LISTING LSA-LSW SERIES CHART 1
 ISSUE 12
 MAM 15 JUN 94
 11AUG04
 11 JUL 94
 18 FEB 93
 0906874
 11AUG91
 207474
 14 JUN 93
 207179
 31 OCT 92
 206763
 14 OCT 92
 206651
 21 FEB 92
 204871
 23 JAN 91
 202198
 17 SEP 90
 201748
 10 AUG 90
 201004
 18 JUL 87
 0031958
 L 0031958

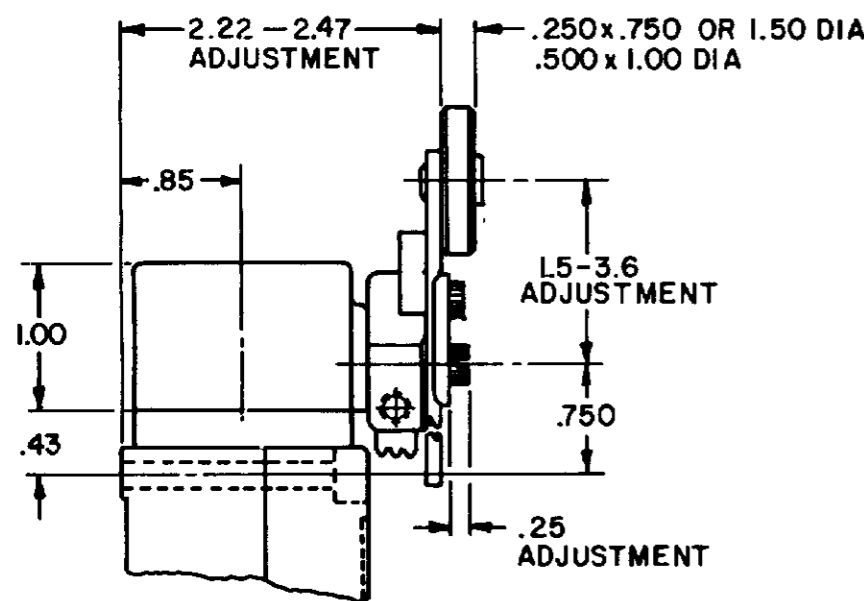
SIDE ROTARY CAM TRACKING



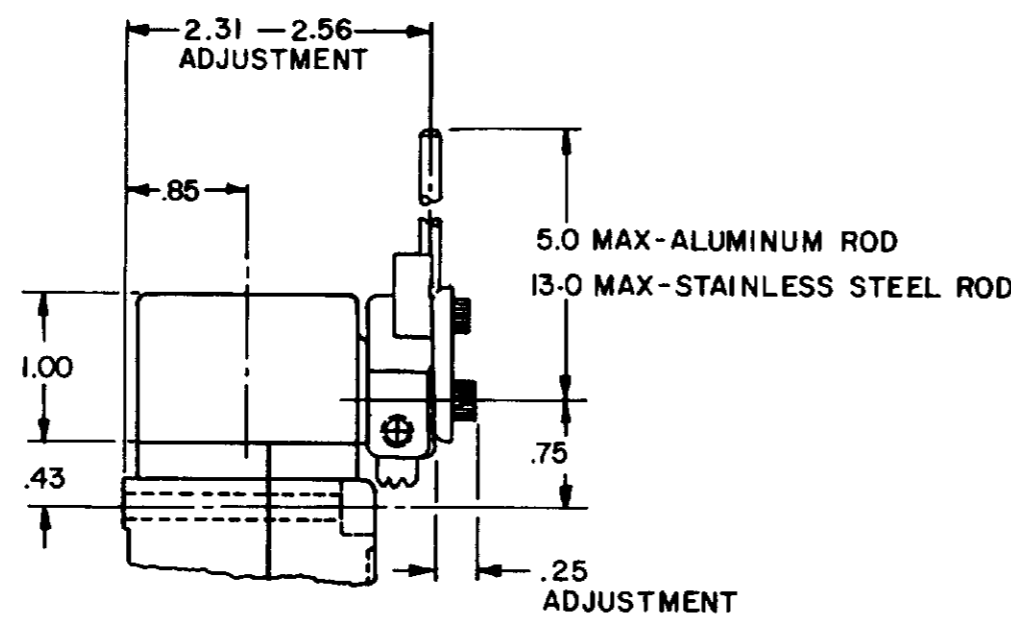
LSZ51 TYPE LEVERS



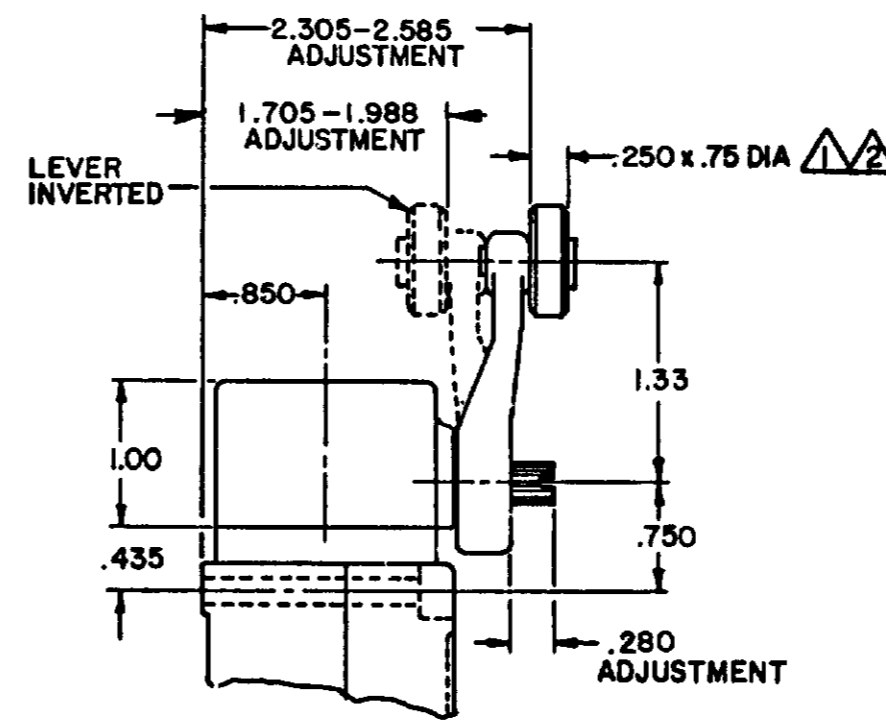
LSZ55 TYPE LEVERS



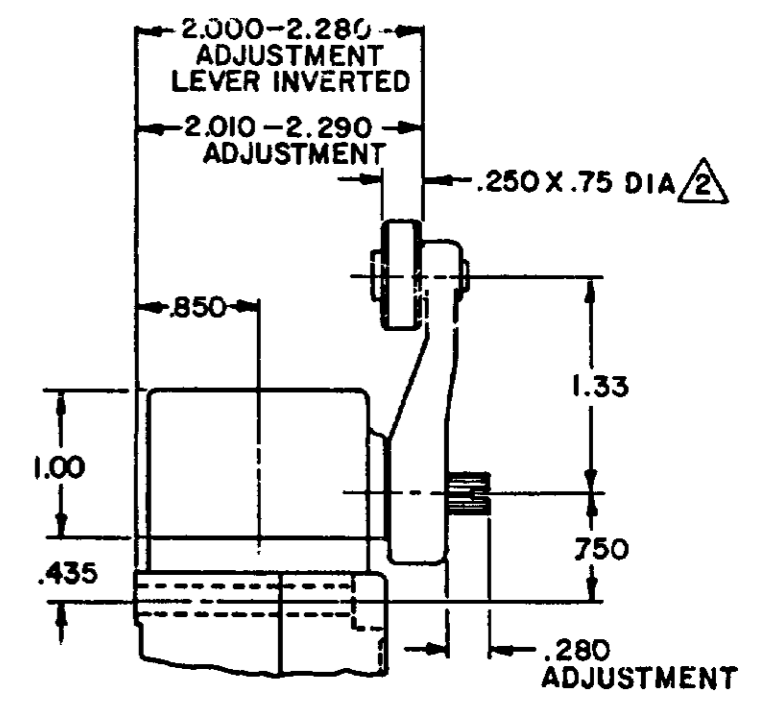
LSZ52 TYPE LEVER



LSZ54 TYPE LEVER



OPEN MOUNTED ROLLER



CLOSED MOUNTED ROLLER

LSZ59 TYPE LEVERS

NOTES

- 1 ALSO AVAILABLE IN Ø.250 X 1.500 NYLON, BUT LEVER CANNOT BE INVERTED
- 2 FOR ADDITIONAL ROLLER WIDTHS AND/OR DIAMETERS REFER TO "M" DRAWING
- 3 - FOR ADDITIONAL TYPES OF ROLLERS AND LEVERS REFER TO LSZ CHART 1 "M" DRAWING

CATALOG LISTING LSA-LSW SERIES CHART 1
 ISSUE 12
 PSR 10JUL07 RELEASE NO. CO-78498 REPLACES LSA-LSW SERIES
 CHECK 11AUG04
 REVISIONS
 L 0031956
 BS 10JUL07
 B 201004
 C SL 10AUG00
 C 201748
 C SL 17NOV00
 D 202198
 C SL 23JAN01
 E 204871
 C SL FEB 02
 F 206581
 GLH 14OCT02
 G 206763
 C SL 31OCT02
 H 207179
 GLH 14JAN03
 J 207474
 SL 18FEB03
 K 0006871
 RR 11AUG04
 DRAWN MAM
 CHECK 15 JUN 94
 11 JUL 94
 JAF
 15 JUN 94

THIS DRAWING COVERS A PROPRIETARY ITEM AND IS THE PROPERTY OF MICRO SWITCH, A DIVISION OF HONEYWELL. THIS DRAWING IS NOT TO BE COPIED OR USED WITHOUT THE APPROVAL OF MICRO SWITCH.		PAGE 2 OF 10
MICRO SWITCH a Honeywell Division FED MFG CODE 91929	SWITCH - ENCLOSED	CATALOG LISTING LSA-LSW SERIES CHART 1
THIRD ANGLE PROJECTION SCALE NONE DO NOT SCALE PRINT UNLESS OTHERWISE SPECIFIED TOLERANCES ARE ONE PLACE (0) ±.030 TWO PLACES (00) ±.015 THREE PLACES (0.000) ±.005 ANGLES ± WEIGHT		

ISSUE 12 PSR 10JUL07 RELEASE NO CO-78498 REPLACES LSA-LSW SERIES

REV. S I O N S
L 0031958
M 1 JUL 07
B 201004
C 201748
D 202198
E 204871
F 206581
G 206763
H 207179
J 207474
K 0006871

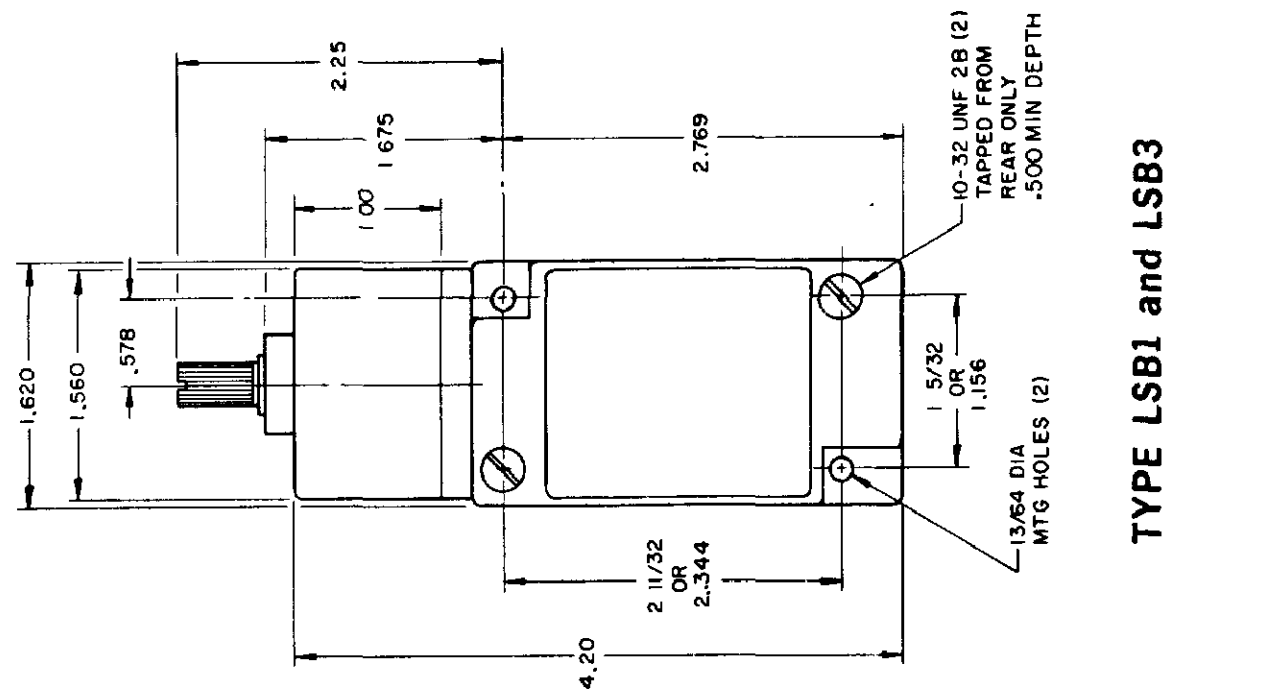
CHECK 11AUG04
CHECK 1 JUL 94
CHECK JAF

MAM 15 JUN 94

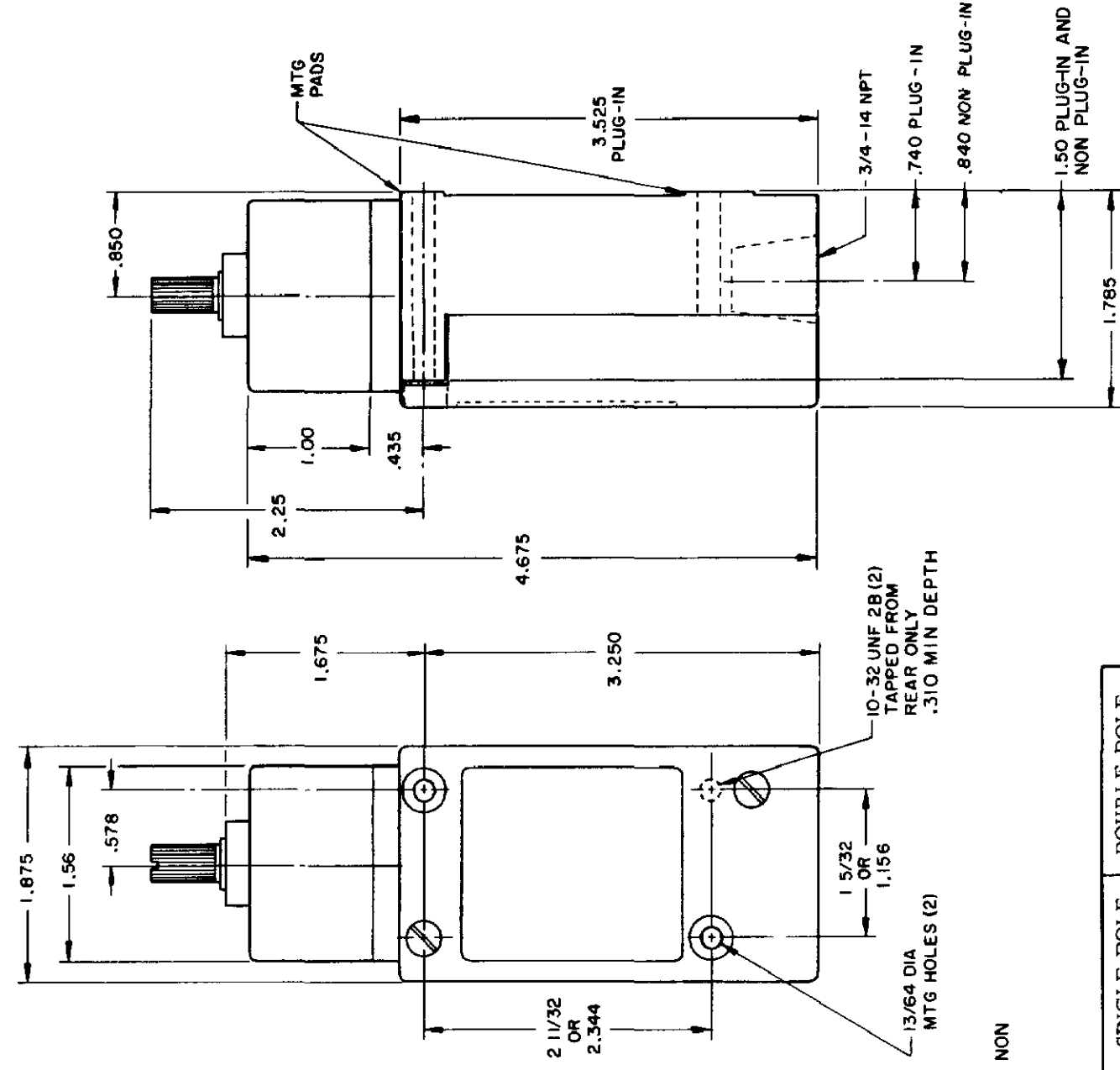
TOP ROTARY

SINGLE POLE

DOUBLE POLE



TYPE LSB1 and LSB3



TYPE LSB2 and LSB4
LSB6 and LSB7 have 1/2 - 14 NPT CONDUIT HOLE

	SINGLE POLE	DOUBLE POLE
PRETRAVEL MAX	25°	25°
OVERTRAVEL MIN	110°	110°
DIFFERENTIAL TRAVEL MAX	10°	12°
OPERATING TORQUE MAX	2 5 IN. LBS	2 5 IN. LBS
TOTAL TRAVEL (REF)	135°	135°

ELECTRICAL RATINGS

A.C. VOLTAGE	AMPS AT 35 POWER FACTOR			
	SINGL POLE		DOUBLE POLE	
	MAKE	BREAK	MAKE	BREAK
120	60	6	30	3
240	30	3	15	1.5
480	15	1.5	7.5	7.5
600	12	1.2	6	6

D.C. VOLTAGE	MAKE & BREAK	
	INDUCTIVE	RESISTIVE
120	0.25	0.80
240	0.15	0.40

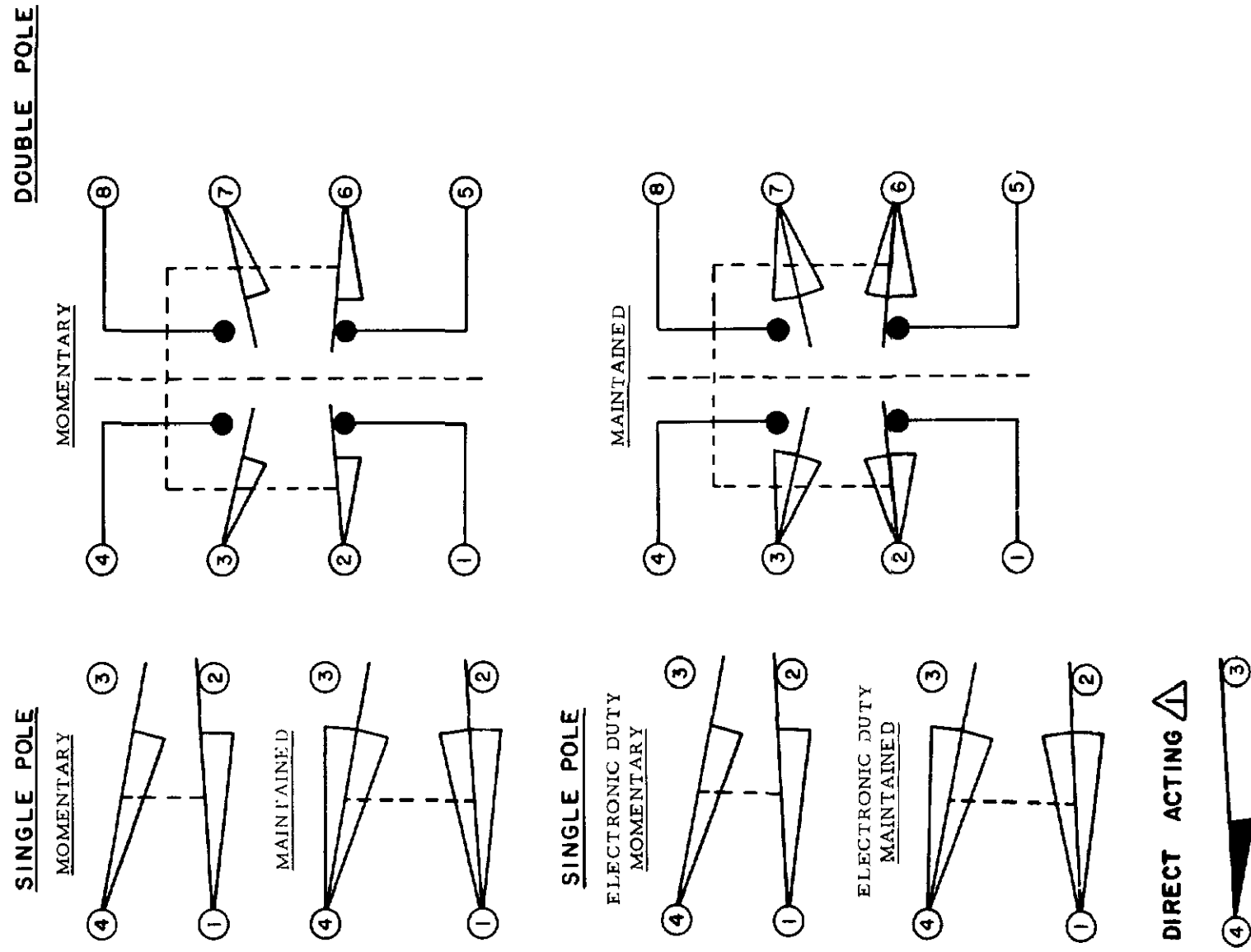
ELECTRONIC DUTY BASIC SWITCH
10 AMP CONT.

VOLTAGE	MAKE AND BREAK AMPS
5 AC OR DC MIN	01 AMP MIN
600 AC	720 VA
240 DC	30 WATT

DIRECT ACTING (ALSO RATED AT A.C. 10 AMP CONT.)

D.C. VOLTAGE	MAKE AND BREAK AMPS	
	INDUCTIVE	RESISTIVE
30	4.2	4.2
120	1.1	1.1
240	.55	.55

WIRING BASIC SWITCH
(SAME POLARITY MUST BE OBSERVED FOR EACH POLE)

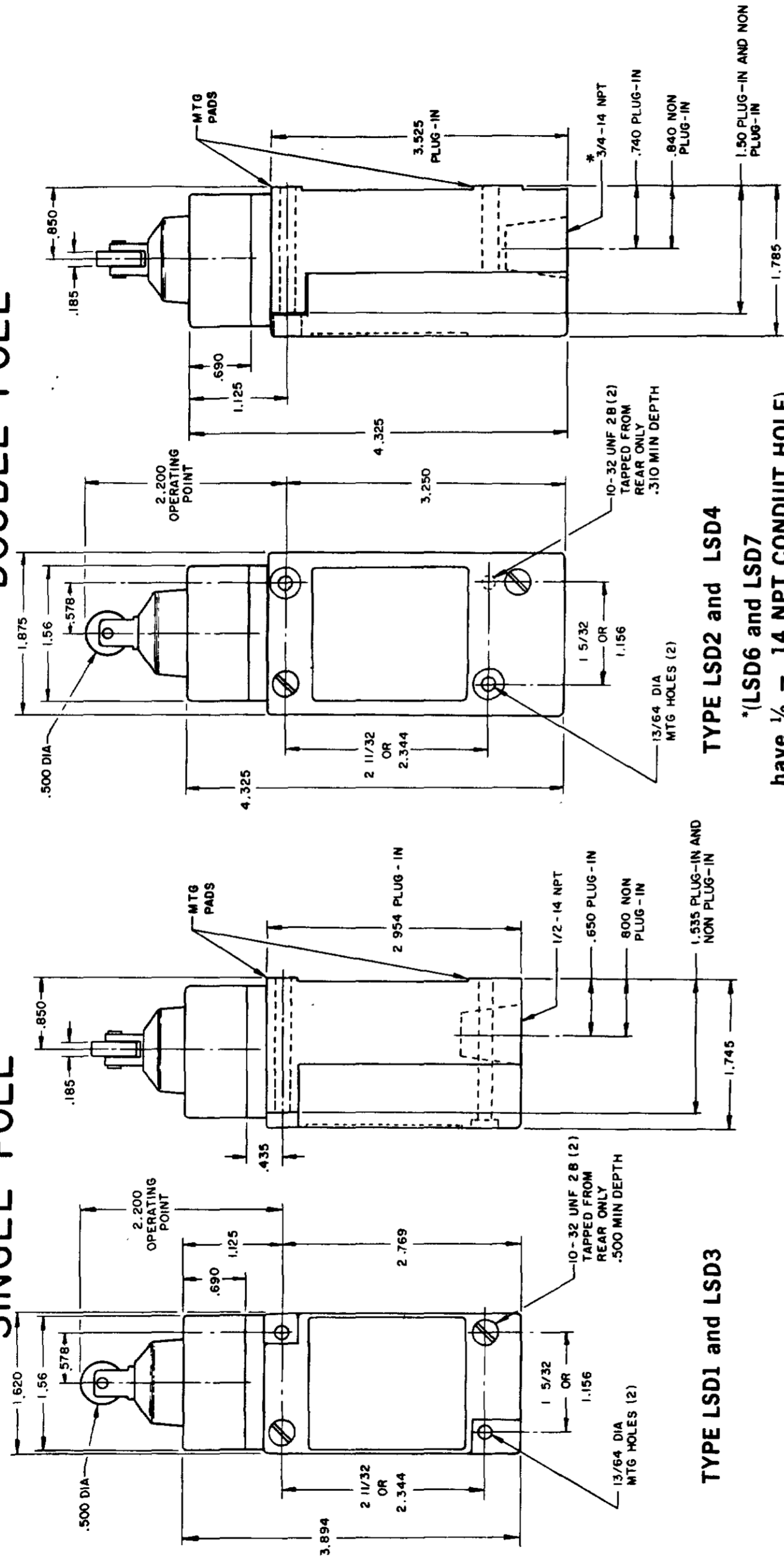


NOTES
DIFFERENTIAL TRAVEL ON ALL OPERATING CHARACTERISTICS NOT APPLICABLE

PLUNGER TYPE TOP

SINGLE POLE

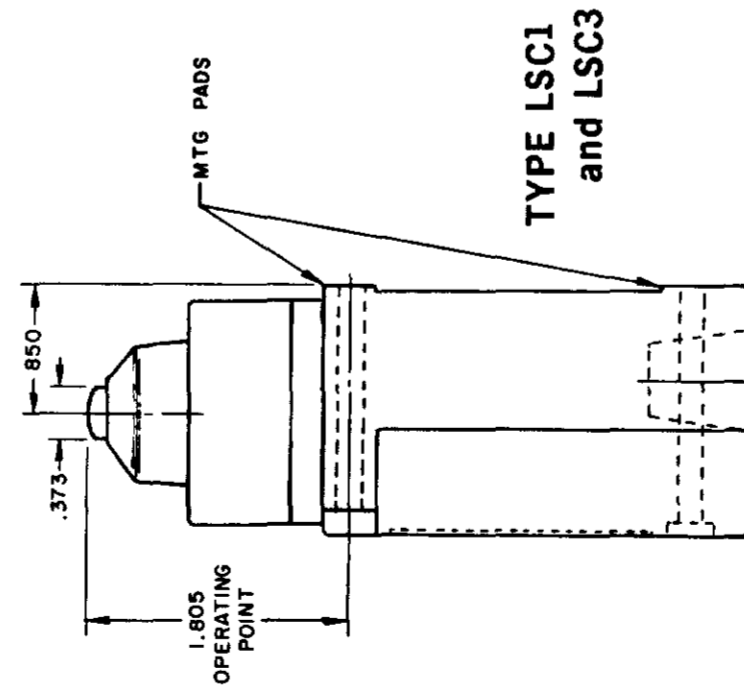
DOUBLE POLE



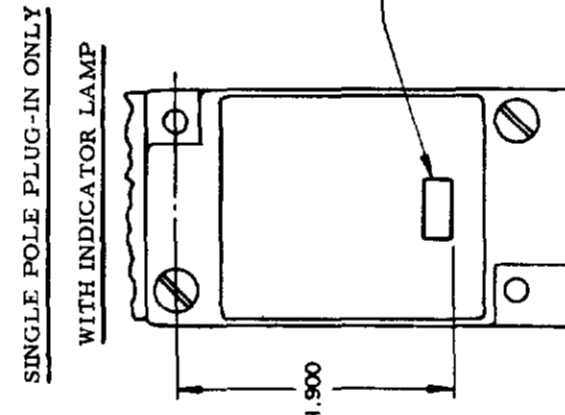
TYPE LSD1 and LSD3

TYPE LSD2 and LSD4

*(LSD6 and LSD7 have 1/2 - 14 NPT CONDUIT HOLE)

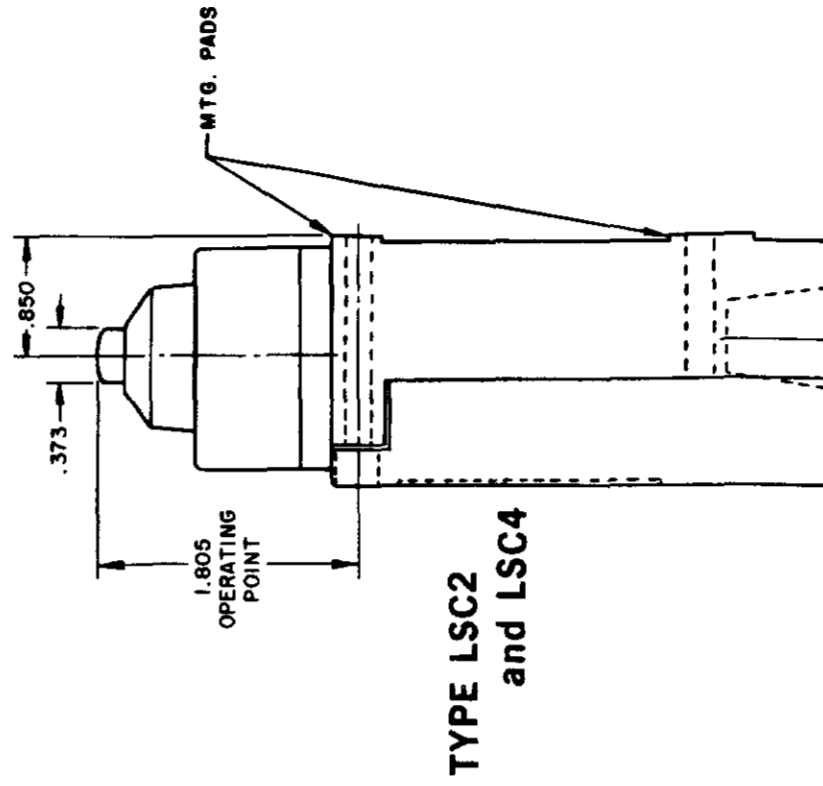


TYPE LSC1 and LSC3

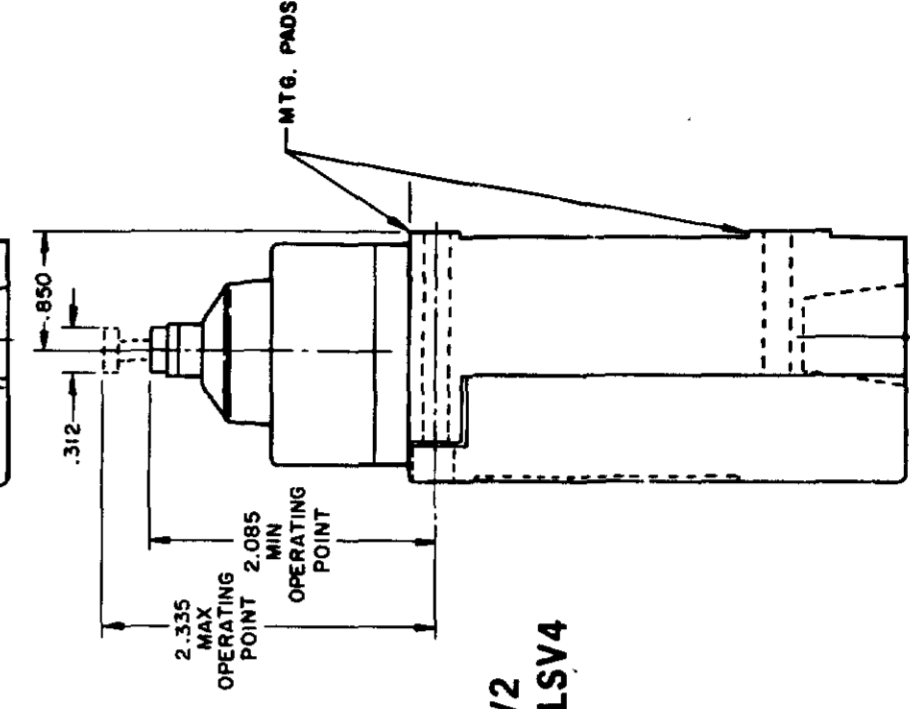


120 LAMP VOLTAGE - TYPE LSC5, LSD5 or LSV5

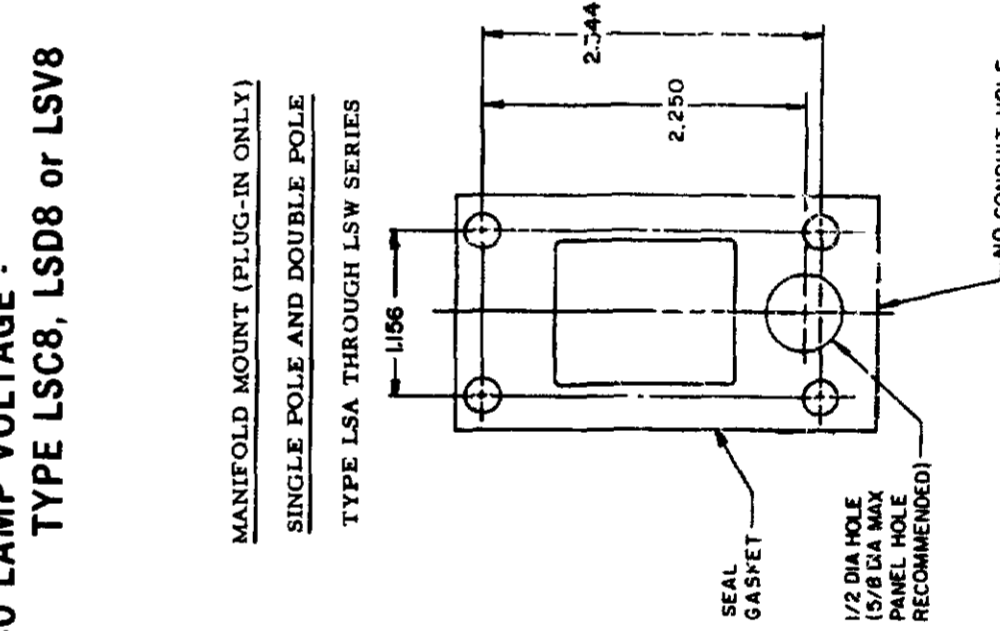
240 LAMP VOLTAGE - TYPE LSC8, LSD8 or LSV8



TYPE LSC2 and LSC4



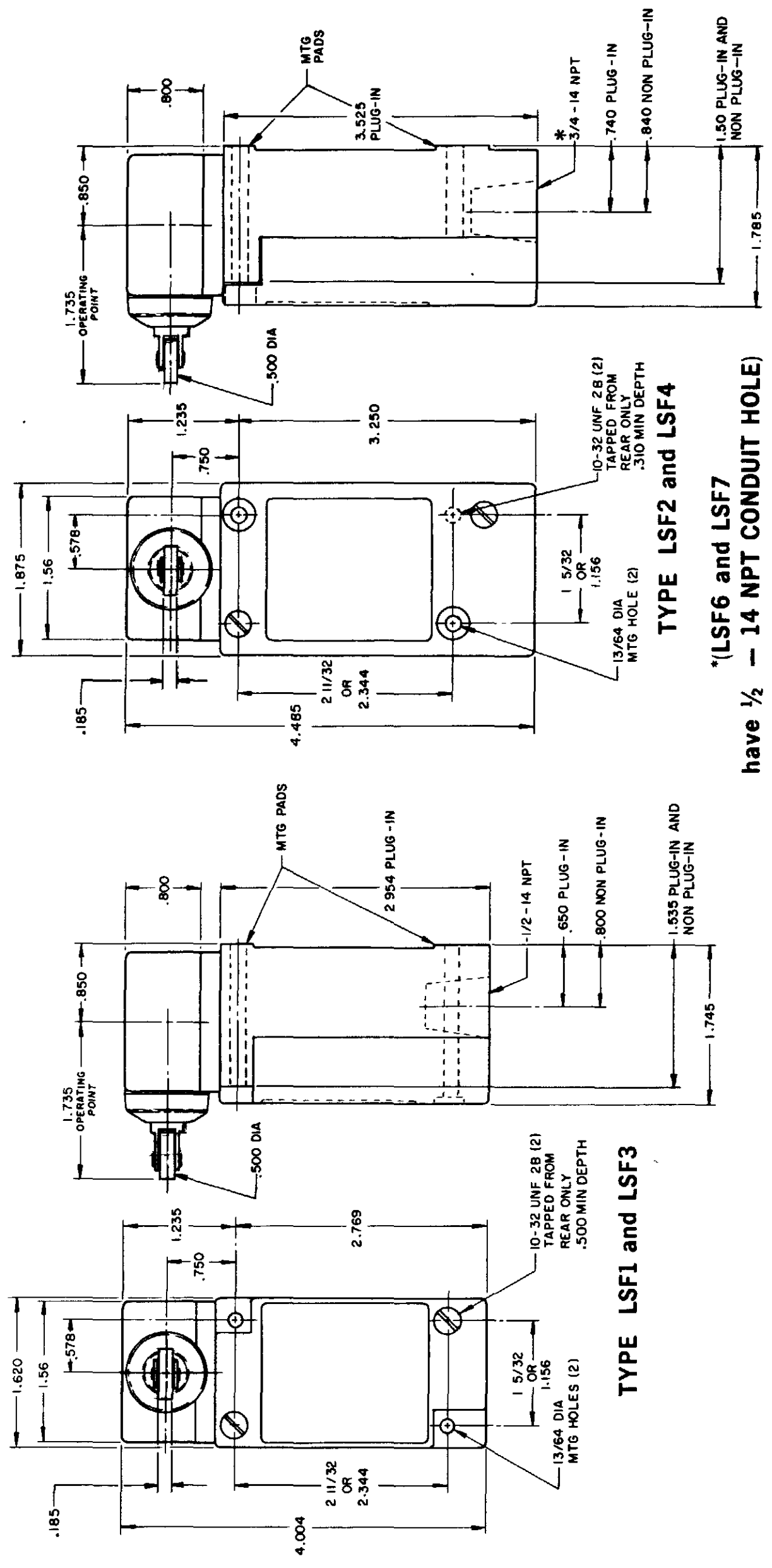
TYPE LSV2 and LSV4



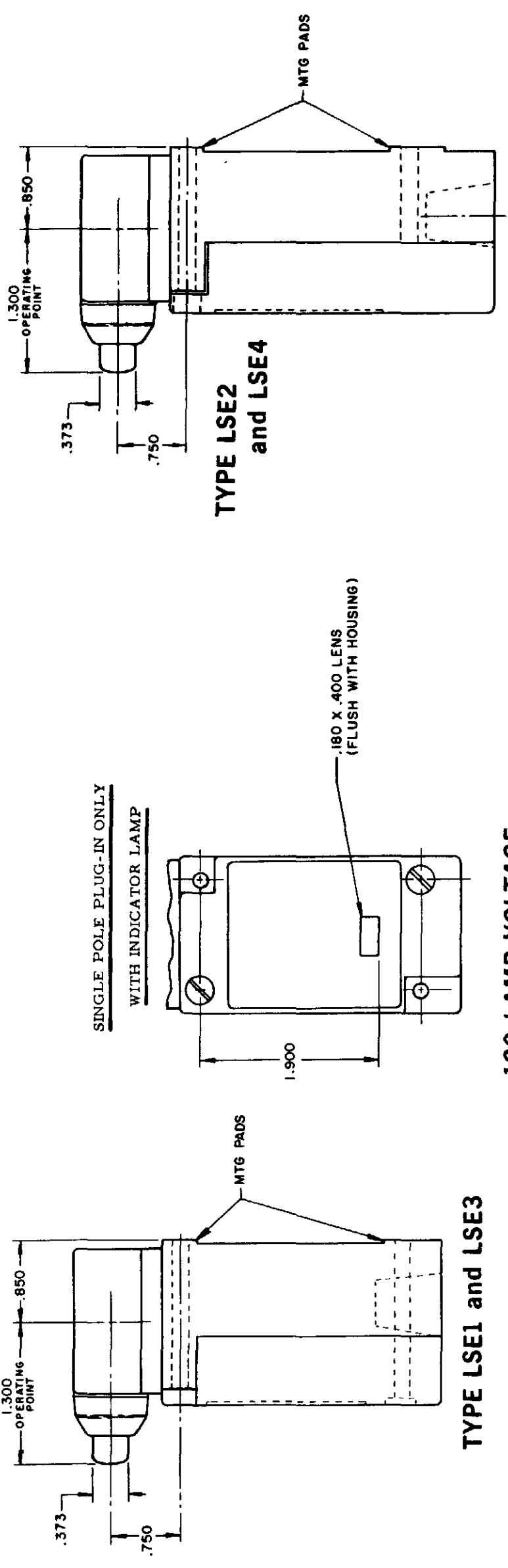
TYPE LSV1 and LSV3

RASTER	15 JUN 94	CHECK	JAF
DRAWN	11 JUL 94	CHECK	AK
MAM	11 AUG 04	CHECK	AK
REV	DATE	BY	DESCRIPTION
L	0031956	BS	
B	201004	10 JUL 07	
C	201748	10 AUG 00	
D	202198	17 NOV 00	
E	204871	23 JAN 01	
F	206581	09 FEB 02	
G	206763	14 OCT 02	
H	207179	31 OCT 02	
I	207474	14 JAN 03	
J	207503	18 FEB 03	
K	0006871	11 FEB 03	
L	0006871	11 FEB 03	

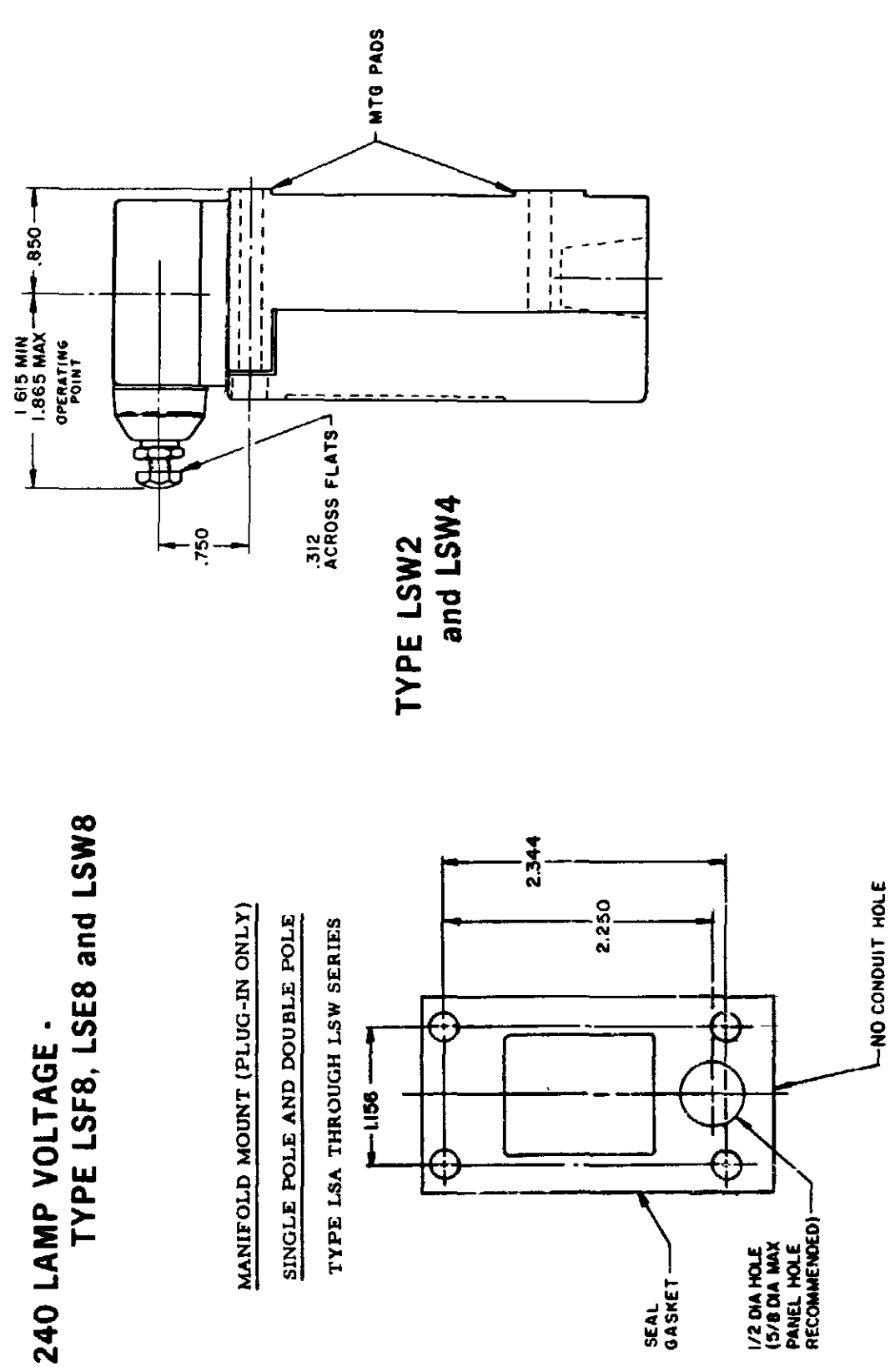
SIDE PLUNGER TYPE DOUBLE POLE



TYPE LSF1 and LSF3
TYPE LSF2 and LSF4
TYPE LSF6 and LSF7
have 1/2 - 14 NPT CONDUIT HOLE)



TYPE LSE1 and LSE3
TYPE LSE2 and LSE4
TYPE LSW1 and LSW3
120 LAMP VOLTAGE - TYPE LSF5, LSE5 and LSW5
240 LAMP VOLTAGE - TYPE LSF8, LSE8 and LSW8



TYPE LSW2 and LSW4
MANIFOLD MOUNT (PLUG-IN ONLY)
SINGLE POLE AND DOUBLE POLE
TYPE LSA THROUGH LSW SERIES

THIS DRAWING COVERS A PROPRIETARY ITEM AND IS THE PROPERTY OF MICRO SWITCH A DIVISION OF HONEYWELL THIS DRAWING IS NOT TO BE COPIED OR USED WITHOUT THE APPROVAL OF MICRO SWITCH

MICRO SWITCH
a Honeywell Division

SWITCH - ENCLOSED

CATALOG LISTING
LSA-LSW SERIES
CHART 1

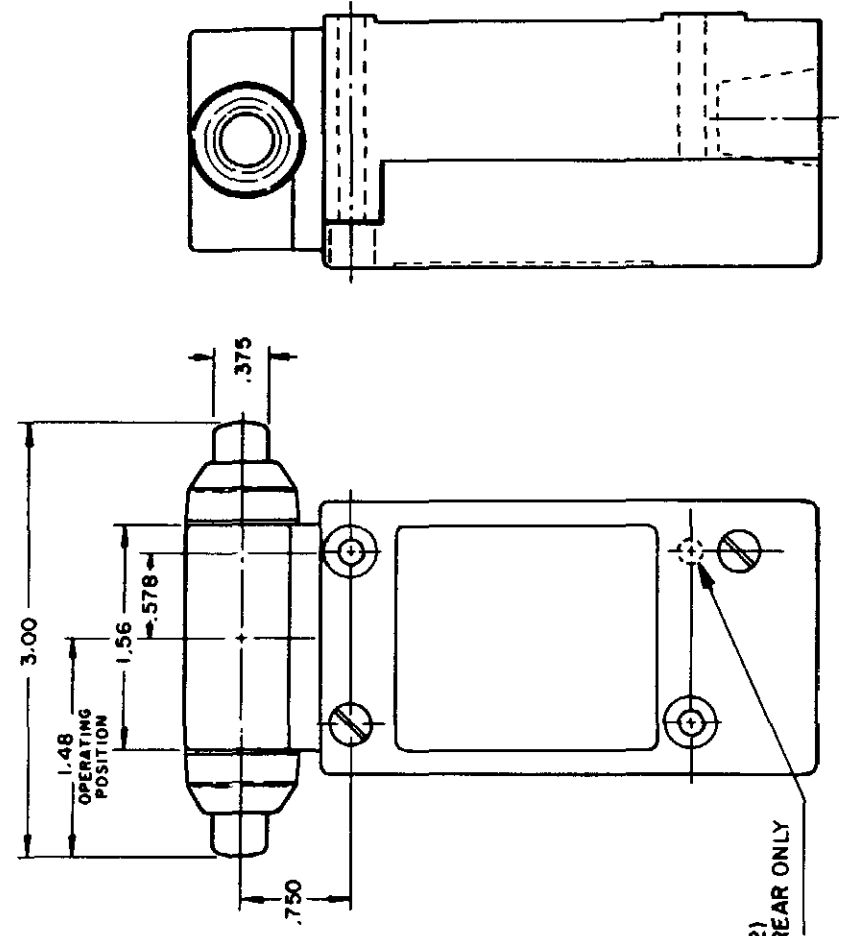
FED MFG CODE 91929

ISSUE 12 PSR 10JUL07 RELEASE NO CO-78498 REPLACES LSA-LSW SERIES

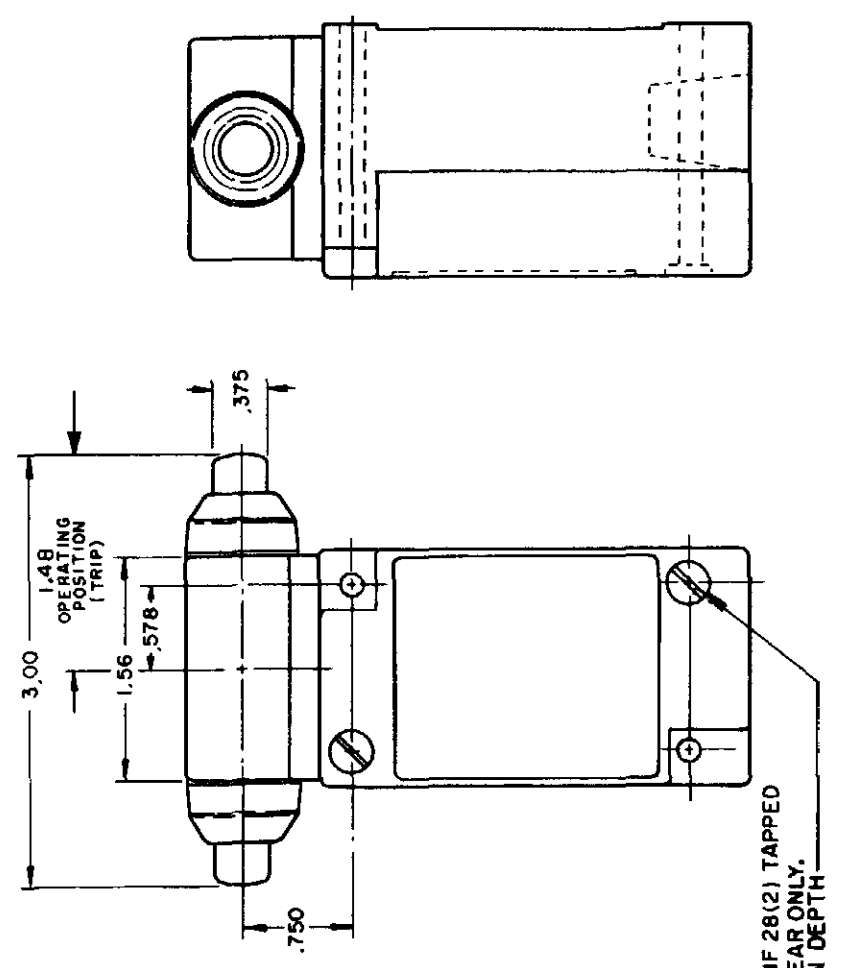
REVISIONS
 L 0031956
 B 10 JUL 07
 B 201004
 C 201748
 D 202198
 E 204871
 F 206581
 G 206763
 H 207179
 J 207474
 K 0006871

11AUG04 11 JUL 94 11AUG04

15 JUN 94



TYPE LSG2 and LSG4



TYPE LSG1 and LSG3

INITIAL POSITION (FREE POSITION) } PRETRAVEL
 OPERATING POINT } DIFFERENTIAL TRAVEL
 FULL TRAVEL } OVERTRAVEL

TOP PLUNGER TYPES

CHARACTERISTICS	LSC PLUNGER		LSD ROLLER PLUNGER		LSV ADJ PLUNGER		SEQUENCE BASIC	
	PRETRAVEL (MAX)	DIFFERENTIAL TRAVEL (MAX)	SINGLE POLE	DOUBLE POLE	IST STEP	2ND STEP	LSC	LSD
PRETRAVEL (MAX)	.070	.070			.070			LSV
DIFFERENTIAL TRAVEL (MAX)	.015	.020	SINGLE POLE	DOUBLE POLE	.015	.020		IST STEP .016 MIN ADD'L
OVERTRAVEL (MIN)	.190	.190			.190			.015 EACH STEP
OPERATING FORCE (MAX)	4 LBS	4 LBS			4 LBS			.170
OPERATING POINT	1.805 ± .030	2.200 ± .040			2.085 MIN	2.335 MAX		IST STEP
FULL OVERTRAVEL FORCE (MAX)	7 LBS	7 LBS			7 LBS			1.815±.030 2.210±.040 2.095 MIN / 2.345 MAX

SIDE PLUNGER TYPES

CHARACTERISTICS	LSE PLUNGER		LSF ROLLER PLUNGER		LSW ADJ PLUNGER		SEQUENCE BASIC	
	PRETRAVEL (MAX)	DIFFERENTIAL TRAVEL (MAX)	SINGLE POLE	DOUBLE POLE	IST STEP	2ND STEP	LSE	LSF
PRETRAVEL (MAX)	.100	.100			.100			LSW
DIFFERENTIAL TRAVEL (MAX)	.045	.045	SINGLE POLE	DOUBLE POLE	.045	.020 MIN ADD'L		IST STEP .100
OVERTRAVEL (MIN)	.190	.190			.090	.025 EACH STEP		2ND STEP .020 MIN ADD'L
OPERATING FORCE (MAX)	6 LBS	6 LBS			.080			.170
OPERATING POINT	1.300 ± .030	1.735 ± .040			10 LBS	6 LBS		IST STEP
FULL OVERTRAVEL FORCE (MAX)	6 LBS	6 LBS			ADJUSTABLE FROM	1.480 ± .030		1.310±.030 1.745±.040 1.625 MIN / 1.875 MAX

THIS DRAWING COVERS A PROPRIETARY ITEM AND IS THE PROPERTY OF MICRO SWITCH A DIVISION OF HONEYWELL THIS DRAWING IS NOT TO BE COPIED OR USED WITHOUT THE APPROVAL OF MICRO SWITCH

MICRO SWITCH a Honeywell Division

SWITCH - ENCLOSED

LSA-LSW SERIES CHART 1

CATALOG LISTING

SCALE NONE

DO NOT SCALE PRINT

TOLERANCES

ONE PLACE (.0)

TWO PLACE (.00)

THREE PLACE (.000)

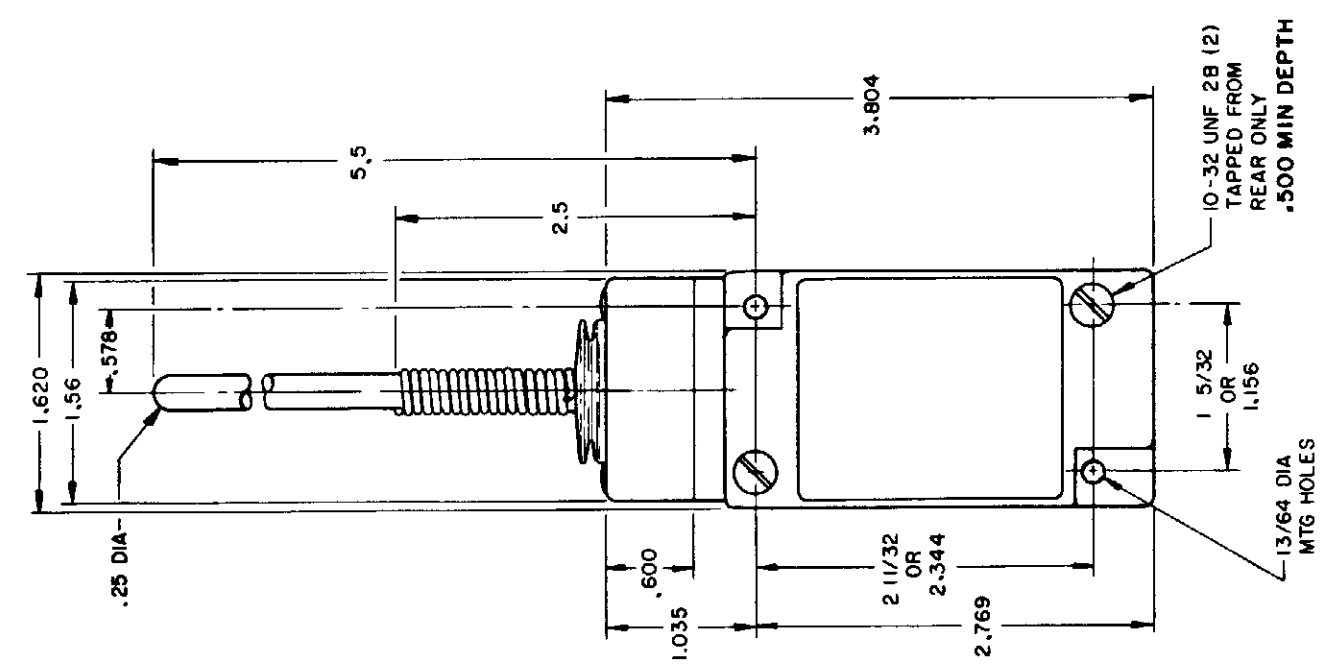
ANGLES

WEIGHT

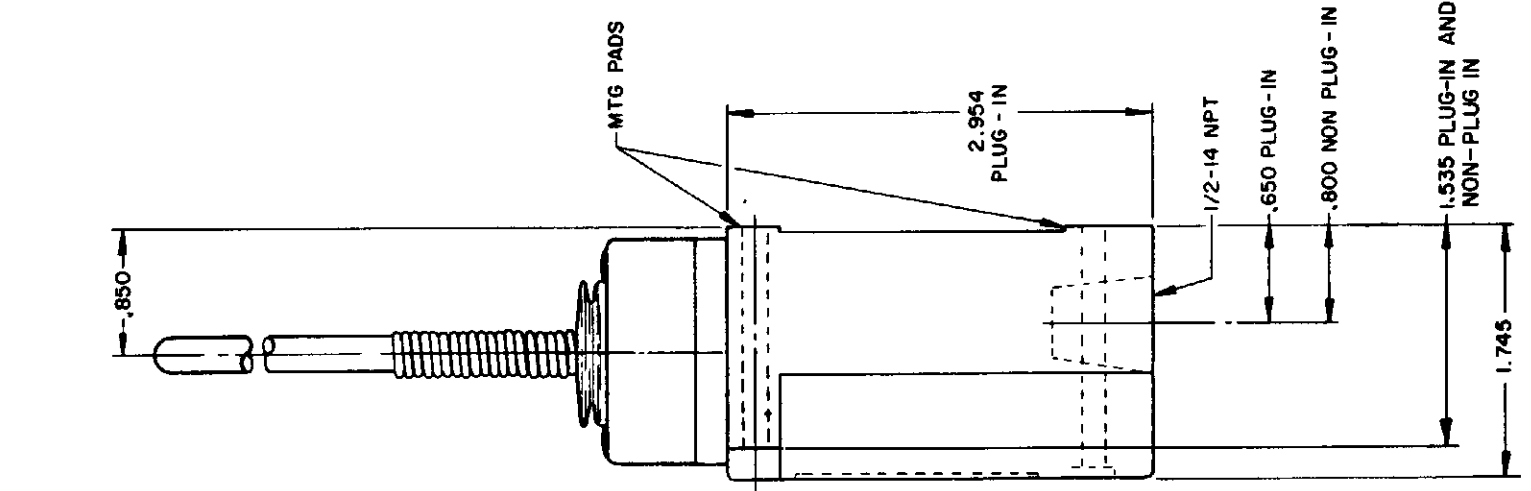
WOBBLE STICK

SINGLE POLE

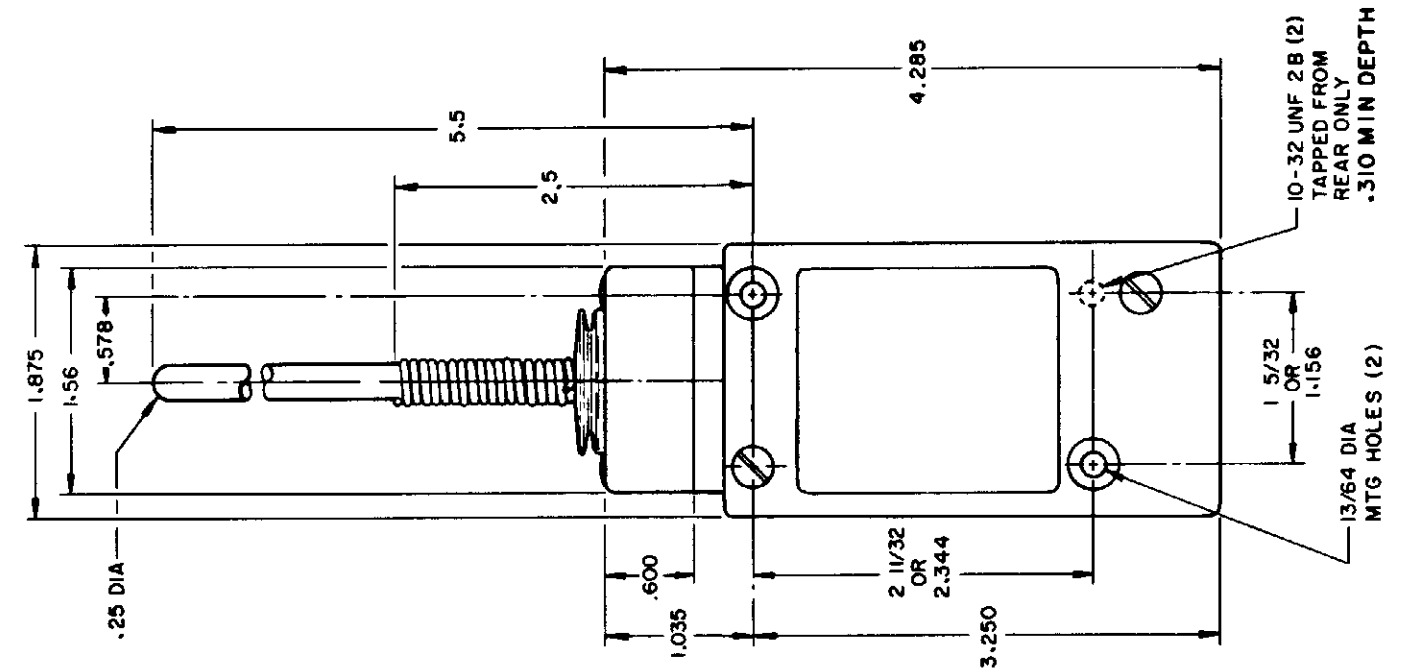
DOUBLE POLE



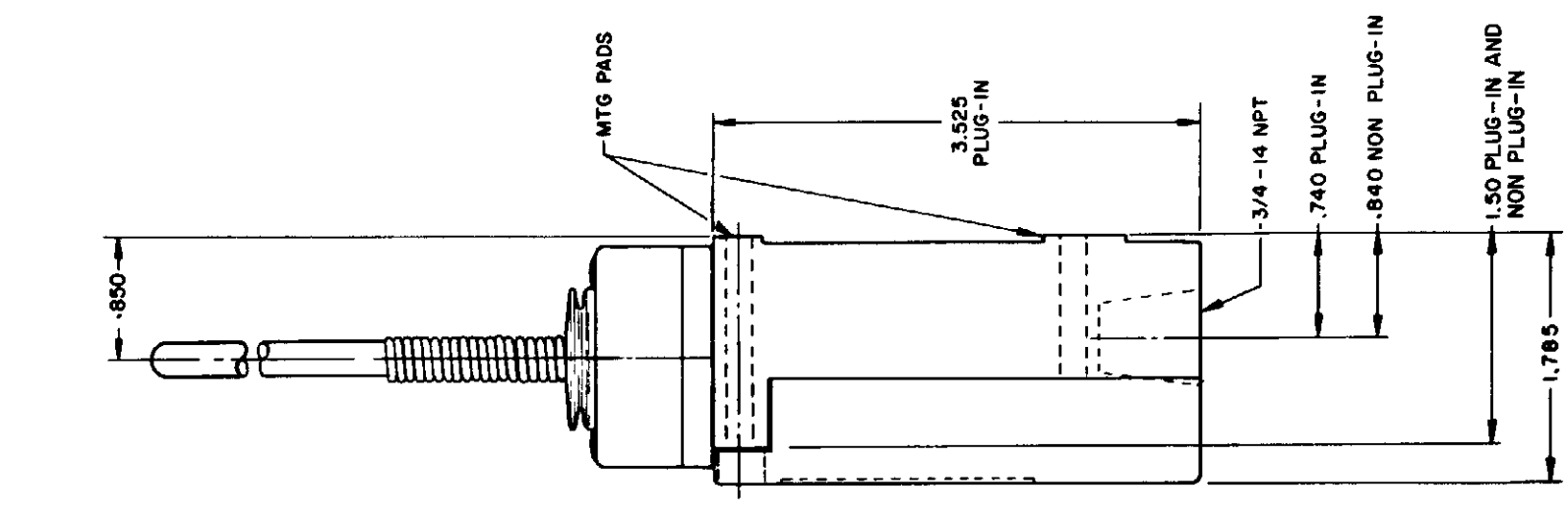
**PLASTIC EXTENSION
TYPE 7A ACTUATOR**
TYPE LSJ1 AND LSJ3



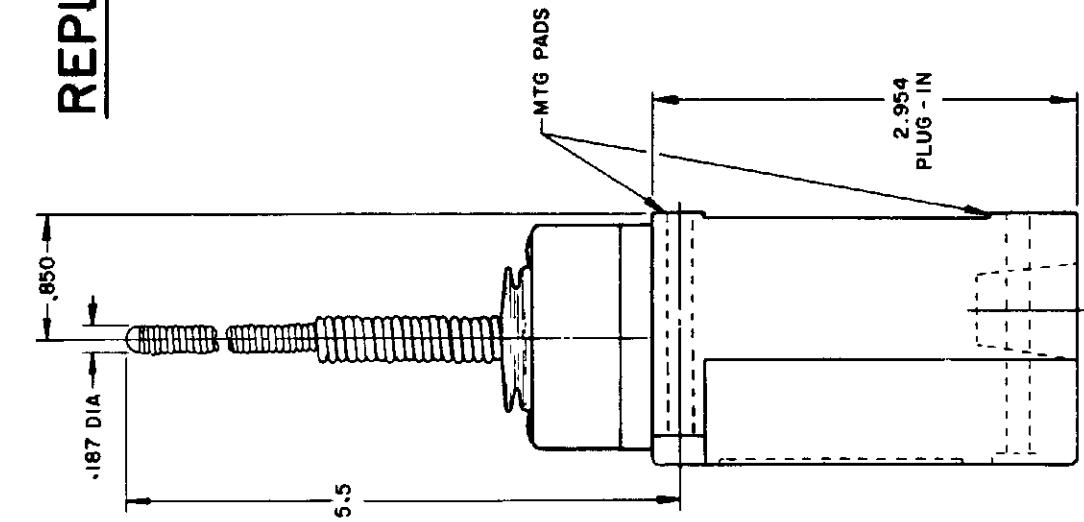
**REPLACEMENT ACTUATOR
LSZ-4009**



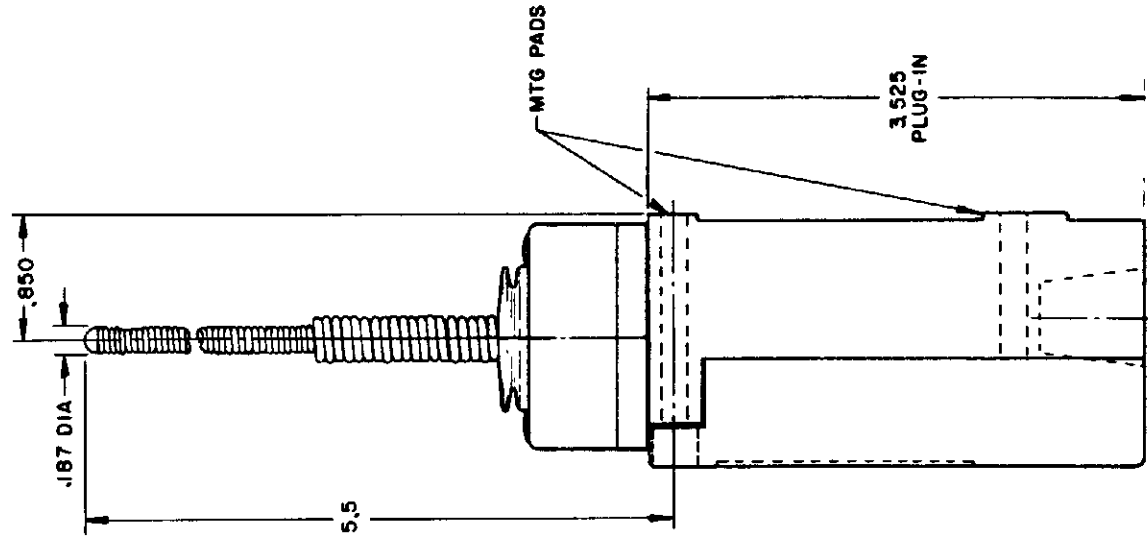
**PLASTIC EXTENSION
TYPE 7A ACTUATOR**
TYPE LSJ2 AND LSJ4
LSJ6 AND LSJ7 HAVE
1/2 - 14 NPT CONDUIT HOLE



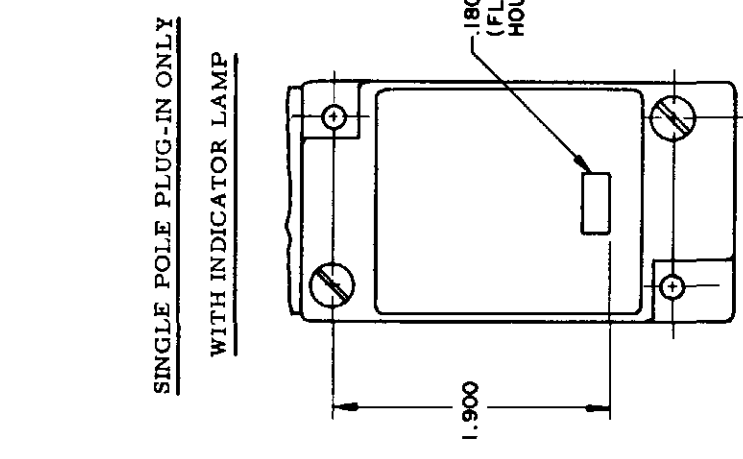
**REPLACEMENT ACTUATOR
LSZ-4011**



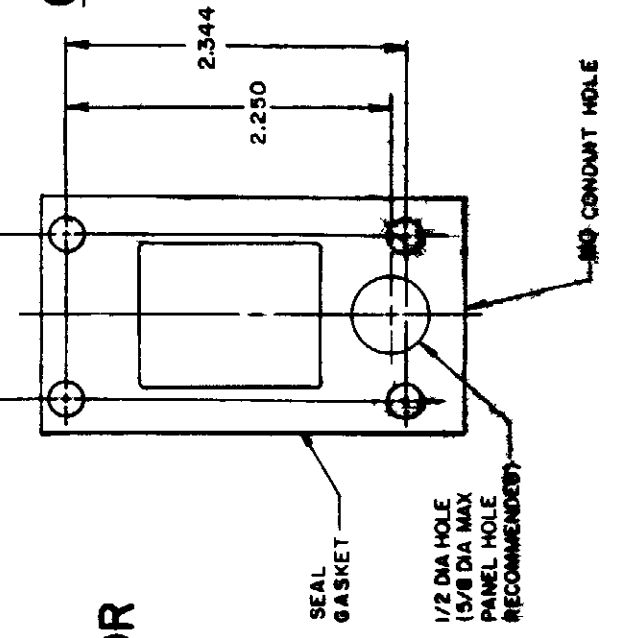
**CABLE EXTENSION
TYPE 7N ACTUATOR**



**CABLE EXTENSION
TYPE 7N ACTUATOR**



**120 LAMP VOLTAGE TYPE LSJ5
240 LAMP VOLTAGE TYPE LSJ8
24 LED VOLTAGE TYPE LSJ9**



**CABLE EXTENSION
TYPE 7N ACTUATOR**

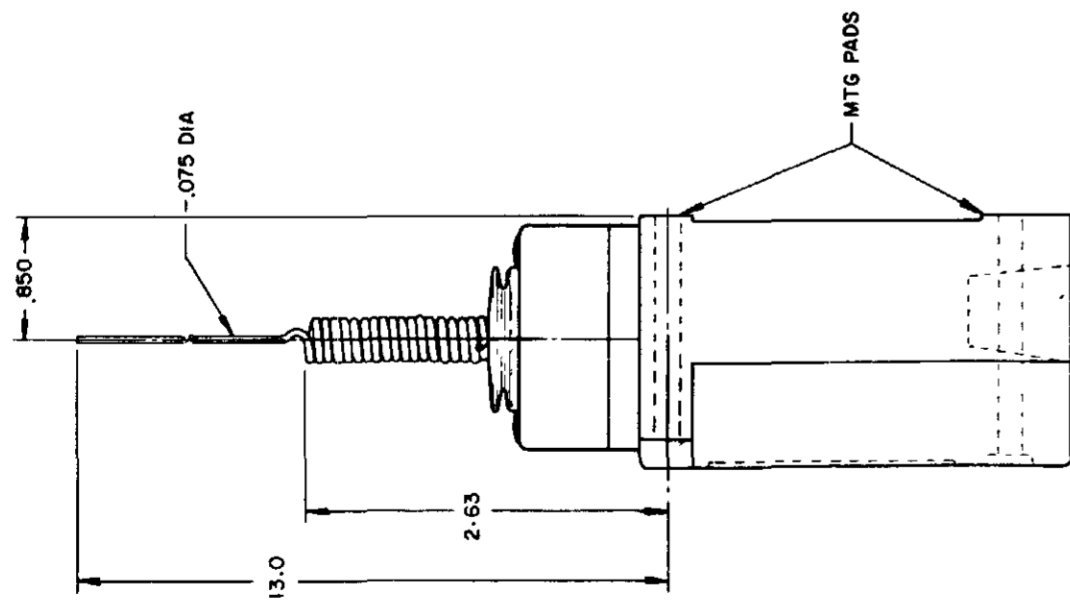
**CABLE EXTENSION
TYPE 7N ACTUATOR**

**REPLACEMENT ACTUATOR
LSZ-4011**

REV	DATE	BY	CHK	APP
L	00319556			
B	10 JUL 07			
B	201004			
C	10 AUG 00			
C	201748			
C	17 NOV 00			
D	202198			
E	23 JAN 01			
E	204871			
F	206581			
G	206763			
H	207179			
J	207474			
K	0006871			

RASTER
 DRAWN
 MAM 15 JUN 94
 11 AUG 94

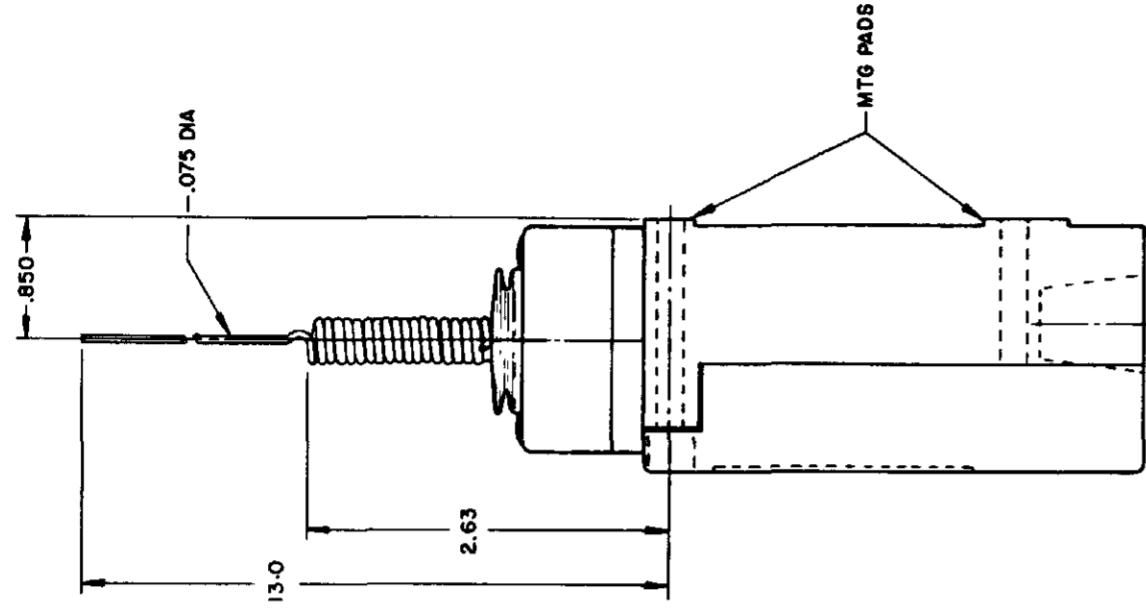
12
 PSR 10 JUL 07
 CO-78498
 REPLACES LSA-LSW SERIES



WIRE EXTENSION TYPE 7M ACTUATOR

TYPE LSJ1 and LSJ3

REPLACEMENT ACTUATOR - LSZ 4010

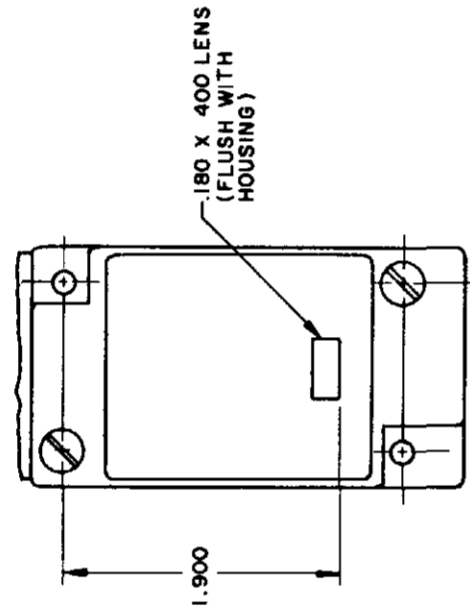


WIRE EXTENSION TYPE 7M ACTUATOR

TYPE LSJ2 and LSJ4

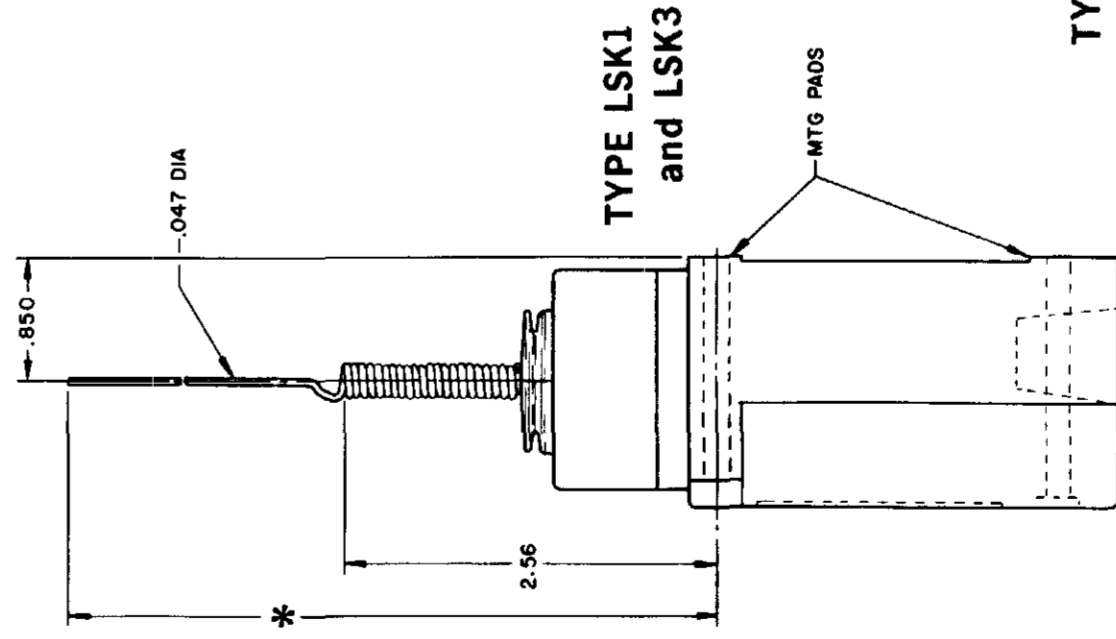
LSJ6 and LSJ7 have 1/2 - 14 NPT CONDUIT HOLE

SINGLE POLE PLUG-IN ONLY
 WITH INDICATOR LAMP



120 LAMP VOLTAGE TYPE LSJ5
 240 LAMP VOLTAGE TYPE LSJ8

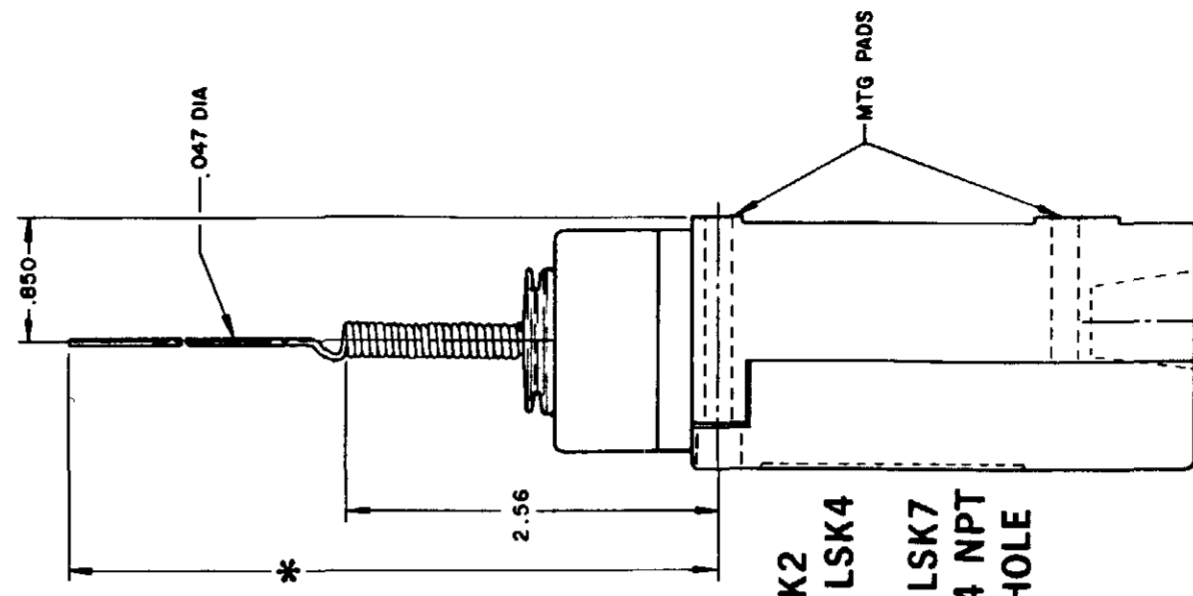
SINGLE POLE



TYPE LSK1
 and LSK3

CAT WHISKER

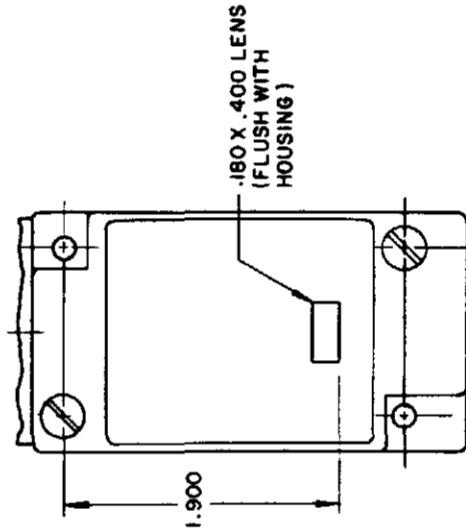
DOUBLE POLE



TYPE LSK2
 and LSK4

LSK6 and LSK7
 have 1/2 - 14 NPT
 CONDUIT HOLE

SINGLE POLE PLUG-IN ONLY
 WITH INDICATOR LAMP



120 LAMP VOLTAGE
 TYPE LSK5 - CAT WHISKER TYPE LSB5 - TOP ROTARY
 240 LAMP VOLTAGE
 TYPE LSK8 - CAT WHISKER TYPE LSB8 - TOP ROTARY

*** WIRE EXTENSION REPLACEMENT ACTUATOR**

TYPE 8A ACTUATOR 5.5 IN.-LSZ 4012
 TYPE 8B ACTUATOR 7.5 IN.-LSZ 4013
 TYPE 8C COIL ACTUATOR 5.5 IN.-LSZ 4014
 ACTUATOR 9.5 IN. - LSZ 4036

WIRE EXTENSION

*TYPE 8A ACTUATOR 5.5 IN.
 TYPE 8B ACTUATOR 7.5 IN.
 TYPE 8C ACTUATOR 5.5 IN.
 TYPE 8D ROD ACTUATOR 5.5 IN.

SCALE NONE
 DO NOT SCALE PRINT

PRETRAVEL (APPROX) IN. RADIUS	CAT. WHISKER		WOBBLE STICK	
	5/16" WIRE	7/16" WIRE	ROD	CABLE
2	2	4.5	1.0	1.5
OPERATING FORCE-OZ (MAX)	7.0	5.0	3.0	10.0
			7.0	5.0

THIS DRAWING COVERS A PROPRIETARY ITEM AND IS THE PROPERTY OF MICRO SWITCH A DIVISION OF HONEYWELL THIS DRAWING IS NOT TO BE COPIED OR USED WITHOUT THE APPROVAL OF MICRO SWITCH

MICRO SWITCH
 a Honeywell Division
 FED MFG CODE 91929

SWITCH - ENCLOSED

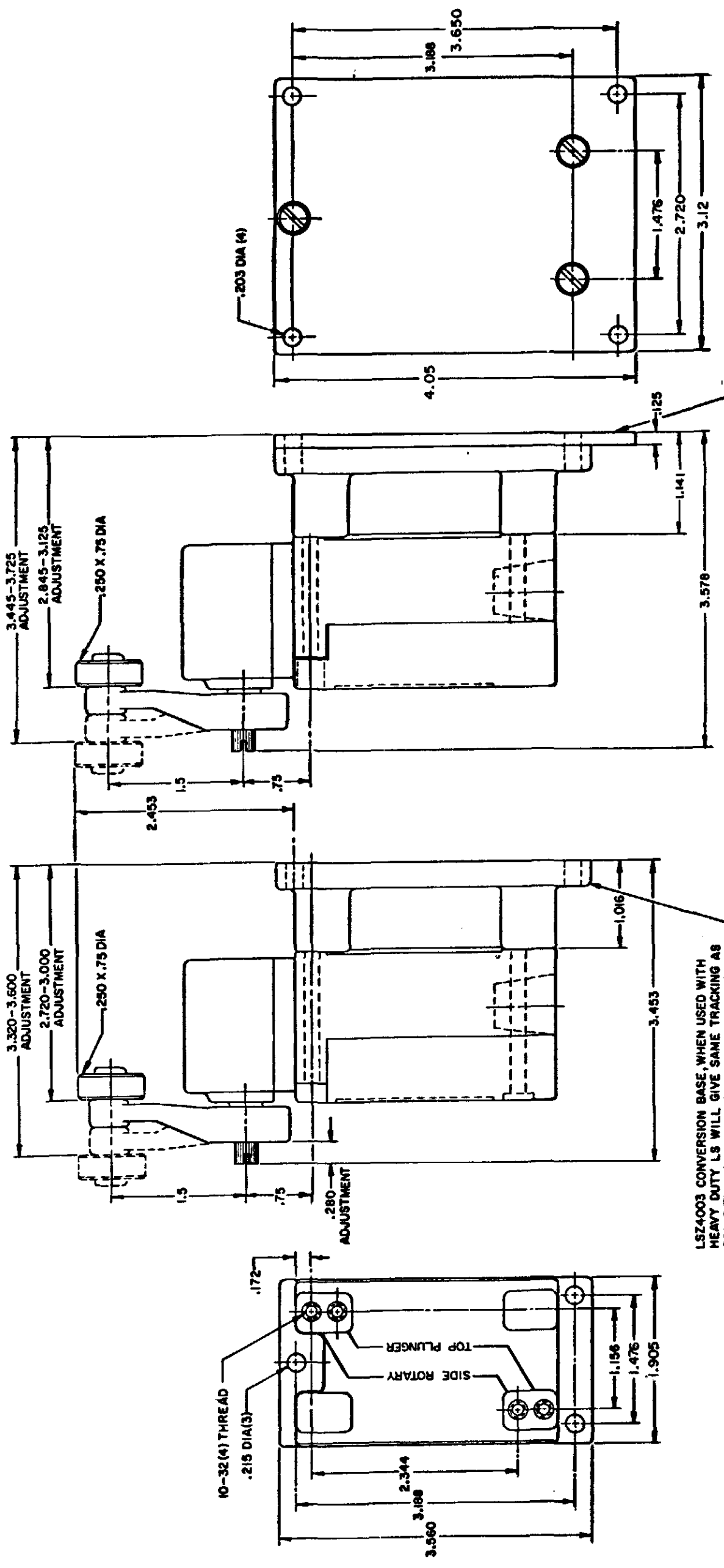
CATALOG LISTING
LSA-LSW SERIES
 CHART 1

ISSUE	12	PSR	10JUL07	RELEASE NO	CO-78498	REPLACES	LSA-LSW SERIES
CATALOG LISTING	LSA-LSW SERIES CHART 1						
REVISIONS	PAGE 9 OF 10						
L	0031956	BS	10JUL07	11AUG04	AK	11AUG04	11JUN 94
B	201004	CS	10AUG00	AK	11AUG04	AK	11JUN 94
C	201748	CS	23JAN01	AK	11AUG04	AK	11JUN 94
D	202198	CS	204871	AK	11AUG04	AK	11JUN 94
E	204871	CS	206581	AK	11AUG04	AK	11JUN 94
F	206581	CS	206763	AK	11AUG04	AK	11JUN 94
G	206763	CS	207179	AK	11AUG04	AK	11JUN 94
H	207179	CS	207474	AK	11AUG04	AK	11JUN 94
I	207474	CS	0006871	AK	11AUG04	AK	11JUN 94
J	0006871	CS	11AUG04	AK	11AUG04	AK	11JUN 94

CONVERSION BASES

SINGLE POLE (SIDE ROTARY) LSZ 4003

DOUBLE POLE (SIDE ROTARY) LSZ 4004

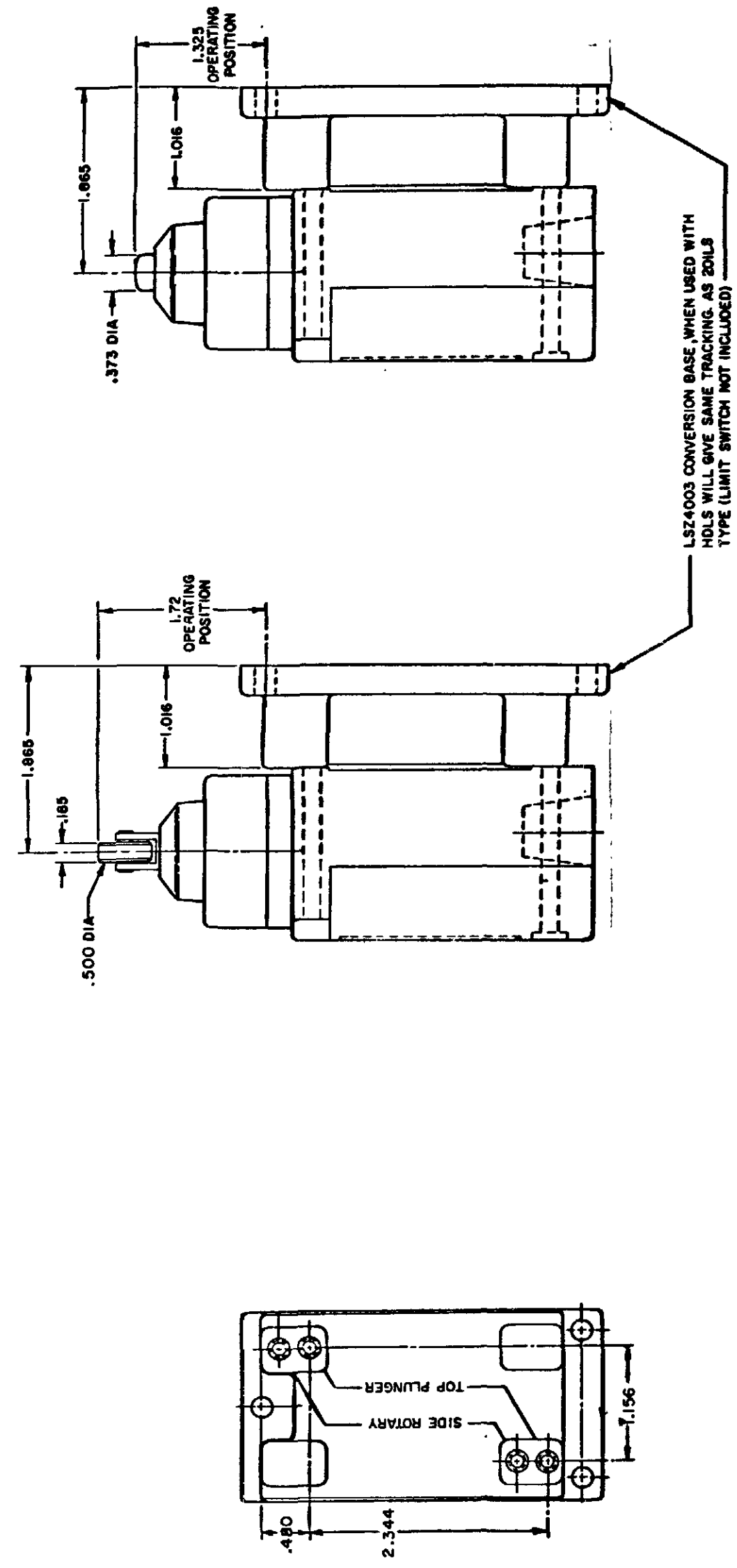


LSZ4004 (FURNISHED ASSEMBLED) CONVERSION BASE, WHEN USED WITH HOLDS WILL GIVE SAME TRACKING AS 301LS TYPE (LIMIT SWITCH NOT INCLUDED)

LSZ4003 CONVERSION BASE WHEN USED WITH HEAVY DUTY LS WILL GIVE SAME TRACKING AS 201LS TYPE (LIMIT SWITCH NOT INCLUDED)

NOTE SEE OTHER PAGES OF LSA-LSW (M) DRAWING FOR DIMENSION OF LIMITS

SINGLE POLE TOP PLUNGER LSZ 4003



NOTE SEE OTHER PAGES OF LSA-LSW (M) DRAWING FOR DIMENSION OF LIMIT SWITCH

THIS DRAWING COVERS A PROPRIETARY ITEM AND IS THE PROPERTY OF MICRO SWITCH, A DIVISION OF HONEYWELL. THIS DRAWING IS NOT TO BE COPIED OR USED WITHOUT THE APPROVAL OF MICRO SWITCH.

MICRO SWITCH
a Honeywell Division

SWITCH - ENCLOSED

CATALOG LISTING
LSA-LSW SERIES
CHART 1

SCALE FULL
DO NOT SCALE PRINT

PAGE 9 OF 10

HEAD TYPE	CELLULUBE	DETERGENT	5 STAR	ASTM #1	ASTM #2	ASTM #3	ASTM #4	HOUGHTON SAFE 271	HOUGHTON SAFE 820	HOUGHTON SAFE 1010	HOUGHTON SAFE 1055	MINERAL OIL	PETR. OIL CRUDE	SILICON GR & OIL	SUNSAFE	BEER	STODDARD SOLV.	CHLORINATED SOLVENTS	CITRIC ACID	DI-ESTER SYN. LUBRICANTS	OZONE	HYDRAUL	PROGUARD	PETRO. BASE HYDRAULIC OIL	LARD OIL	SILICATE ESTERS
LSA	4	1	1	1	1	2	1	4	1	1	1	1	1	1	1	4	1	2	4	4	4	4	1	1	2	
LSB	4	1	1	1	1	2	1	4	1	1	1	1	1	1	1	4	1	2	4	4	4	4	1	1	2	
LSC	4	2	2	1	2	4	4	2	4	2	2	1	2	1	2	4	1	4	3	4	4	2	2	2	2	
LSD	4	2	2	1	2	4	4	2	4	2	2	1	2	1	2	4	1	4	3	4	4	2	2	2	2	
LSE	4	2	2	1	2	4	4	2	4	2	2	1	2	1	2	4	1	4	3	4	4	2	2	2	2	
LSF	4	2	2	1	2	4	4	2	4	2	2	1	2	1	2	4	1	4	2	4	4	2	2	2	2	
LSG	4	2	2	1	2	4	4	2	4	2	2	1	2	1	2	4	1	4	3	4	4	2	2	2	2	
LSH	4	1	1	1	1	2	1	4	1	1	1	1	1	1	1	4	1	2	4	4	4	1	1	2	2	
LSJ	4	2	2	1	2	4	4	2	4	2	2	1	2	1	2	4	1	4	3	4	4	2	2	2	2	
LSK	4	2	2	1	2	4	4	2	4	2	2	1	2	1	2	4	1	4	3	4	4	2	2	2	2	
LSL	4	1	1	1	1	2	1	4	1	1	1	1	1	1	1	4	1	2	4	4	4	1	1	2	2	
LSM	4	1	1	1	1	2	1	4	1	1	1	1	1	1	1	4	1	2	4	4	4	1	1	2	2	
LSN	4	1	1	1	1	2	1	4	1	1	1	1	1	1	1	4	1	2	4	4	4	1	1	2	2	
LSP	4	1	1	1	1	2	1	4	1	1	1	1	1	1	1	4	1	2	4	4	4	1	1	2	2	
LSR	4	1	1	1	1	2	1	4	1	1	1	1	1	1	1	4	1	2	4	4	4	1	1	2	2	
LSV	4	2	2	1	2	4	4	2	4	2	2	1	2	1	2	4	1	4	3	4	4	2	2	2	2	
LSW	4	2	2	1	2	4	4	2	4	2	2	1	2	1	2	4	1	4	2	4	4	2	2	2	2	
LST	UNSEALED DEVICE, INTENDED TO MEET NEMA 1 ONLY																									
LSS	UNSEALED DEVICE, INTENDED TO MEET NEMA 1 ONLY																									

CODE: 1 SATISFACTORY 2 FAIR 3 DOUBTFUL 4 UNSATISFACTORY

TYPES	LOW LIMIT	HIGH LIMIT
LSA	+10°F	+250°F
LSB	+30°F	+250°F
LSC	+10°F	+200°F
LSD	+10°F	+200°F
LSE	+10°F	+200°F
LSF	+10°F	+200°F
LSG	+30°F	+200°F
LSH	+30°F	+250°F
LSJ	+10°F	+200°F
LSK	+10°F	+200°F
LSL	+10°F	+250°F
LSM	+30°F	+250°F
LSN	+30°F	+250°F
LSP	+10°F	+250°F
LSR	+30°F	+250°F
LSV	+10°F	+200°F
LSW	+10°F	+200°F
LST	+30 F	+170°F
LSS	+30°F	+170°F

CATALOG LISTING
M LSA-LSW SERIES CHART 1
PAGE 10 OF 10
RELEASE NO. CO-78498
PSR 10JUL07
CHECK 11AUG04
AK

REVISIONS

L	0031956	BS	10JUL07
B	201004	C.S.I.	10 AUG 00
C	201748	C.S.I.	17 NOV 00
D	202198	C.S.I.	23 JAN 01
E	204871	G.J.W.	FEB 02
F	206581	GLH	14 OCT 02
G	206783	C.S.I.	31 OCT 02
H	207179	GLH	14 JAN 03
J	207474	TSM	18 FEB 03
K	0006871	KR	11AUG04

RASTER
DRAWN
MAM 15 JUN 94

THIS DRAWING COVERS A PROPRIETARY ITEM AND IS THE PROPERTY OF MICRO SWITCH A DIVISION OF HONEYWELL THIS DRAWING IS NOT TO BE COPIED OR USED WITHOUT THE APPROVAL OF MICRO SWITCH

MICRO SWITCH
a Honeywell Division

SWITCH - ENCLOSED

CATALOG LISTING
LSA-LSW SERIES
CHART 1

FED. MFG. CODE 91929