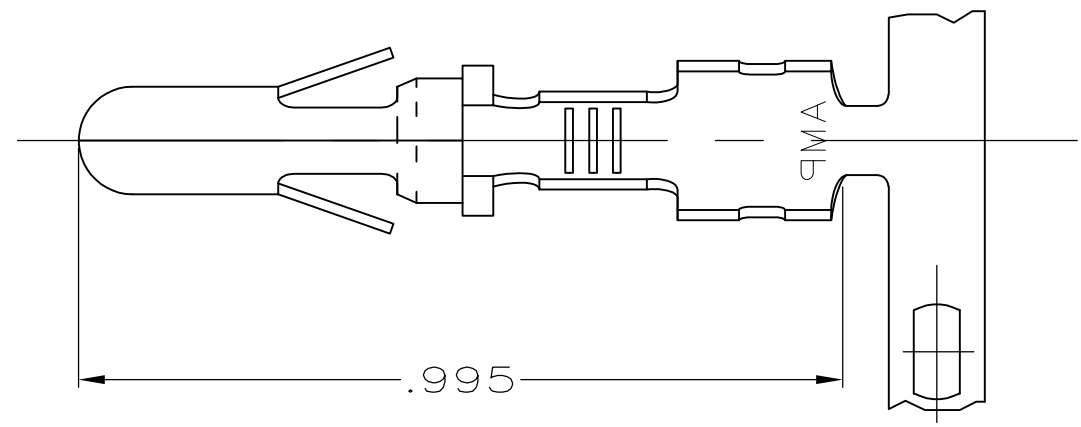
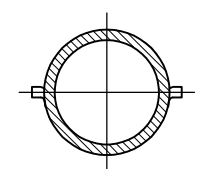
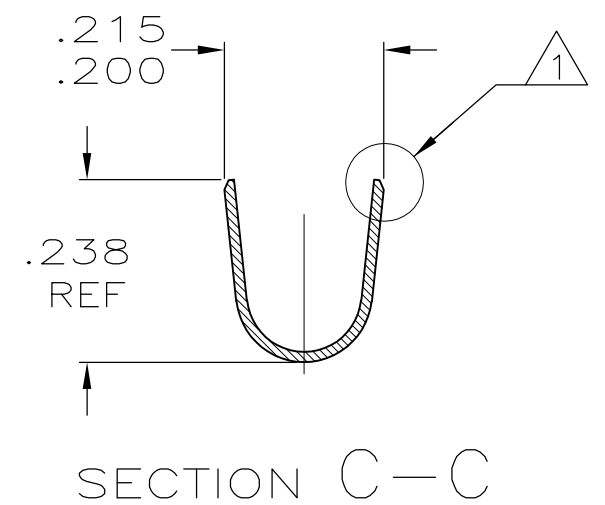
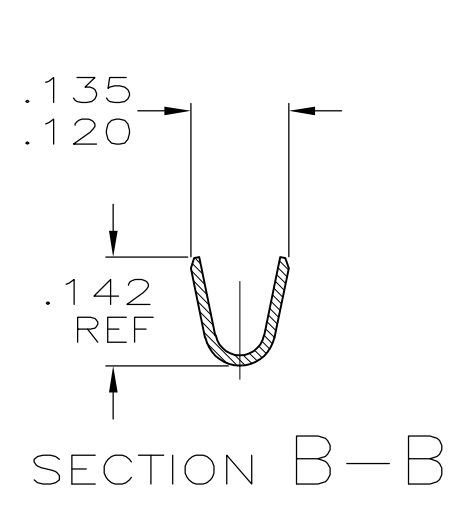
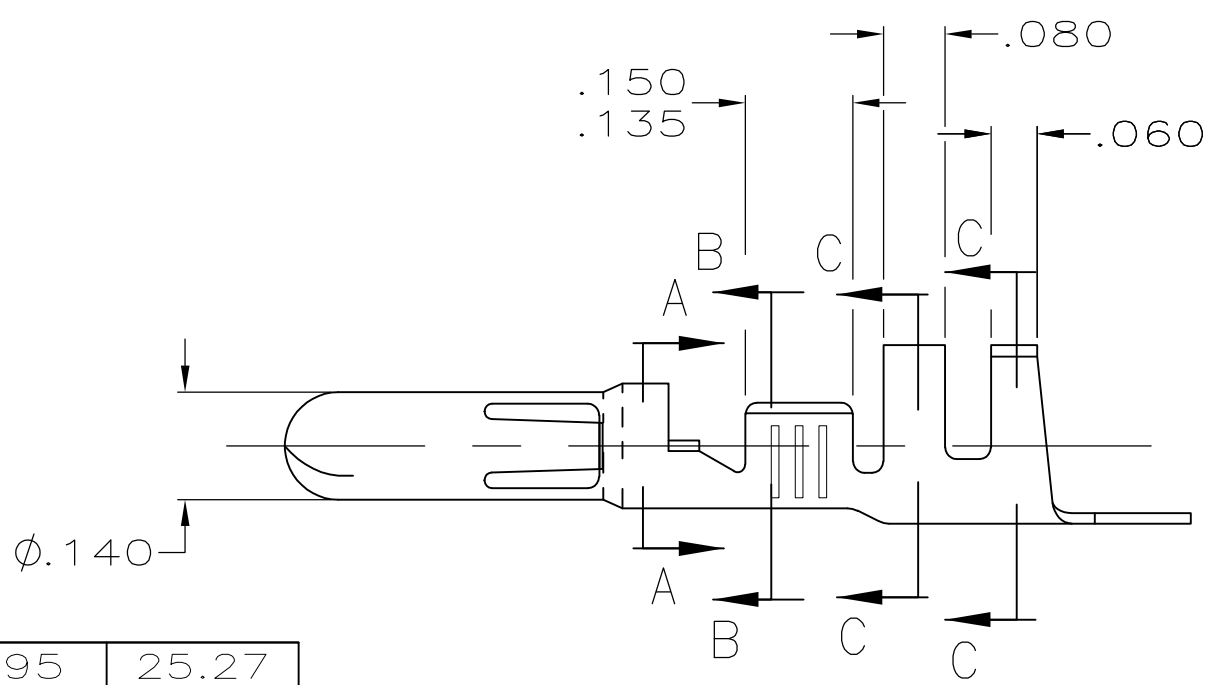


THIS DRAWING IS UNPUBLISHED. RELEASED FOR PUBLICATION  
 © COPYRIGHT - By - ALL RIGHTS RESERVED.

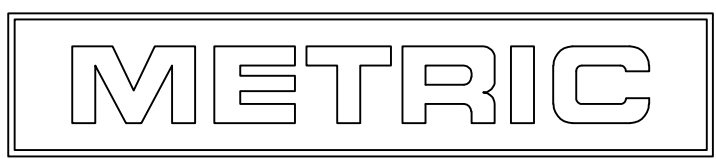
LOC	DIST	REVISIONS			
P	LTR	DESCRIPTION	DATE	DWN	APVD
CM	53				
		D1 REVISED PER ECO-11-005027	11MAR11	RK	HMR



△ SWAGE, INSULATION BARREL ONLY.



SECTION A-A


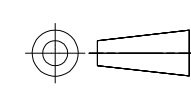


IN	MM
.995	25.27
.238	6.05
.215	5.46
.200	5.08
.150	3.81
.142	3.61
.140	3.56
.135	3.43
.120	3.05
.080	2.03
.060	1.52
.014	0.36
.005	0.13
IN	MM

CONVERSION TABLE

	TIN	.014 PH. BRZ	61627-2
350389-1	TIN	.014 BRASS	61627-1
LOOSE PIECE (REF)	FINISH	MATERIAL	PART NUMBER

THIS DRAWING IS A CONTROLLED DOCUMENT.

DIMENSIONS: INCHES	TOLERANCES UNLESS OTHERWISE SPECIFIED:	DWN L. SMITH 4-07-94	 TE Connectivity NAME .140 DIA PIN			
	0 PLC ± -	CHK R. SWING 4-07-94				
	1 PLC ± -	APVD C. MARTIN 4-11-94				
	2 PLC ± -	PRODUCT SPEC				
	3 PLC ± .005	APPLICATION SPEC				
MATERIAL SEE TABLE	FINISH SEE TABLE	4 PLC ± - ± 1	SIZE A3	CAGE CODE 00779	DRAWING NO C-61627	RESTRICTED TO -
CUSTOMER DRAWING			SCALE 4:1	SHEET 1 OF 1	REV D1	