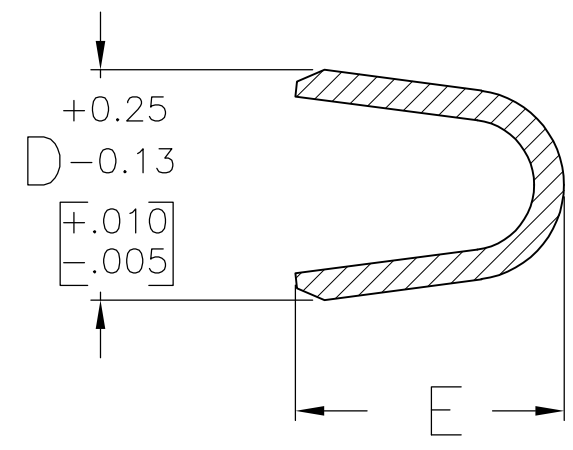
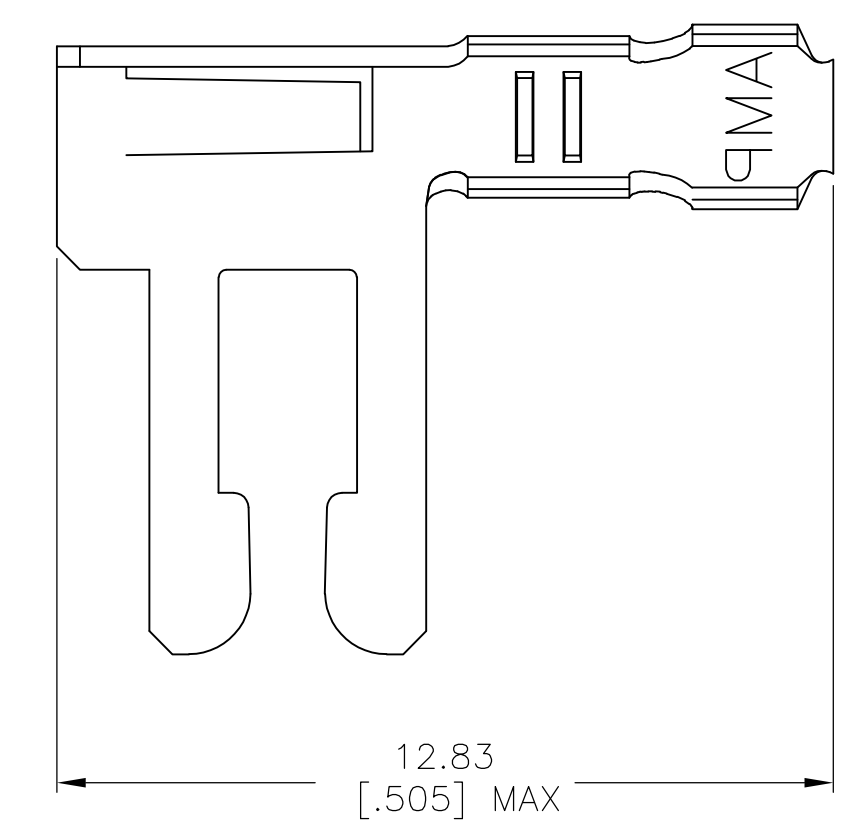


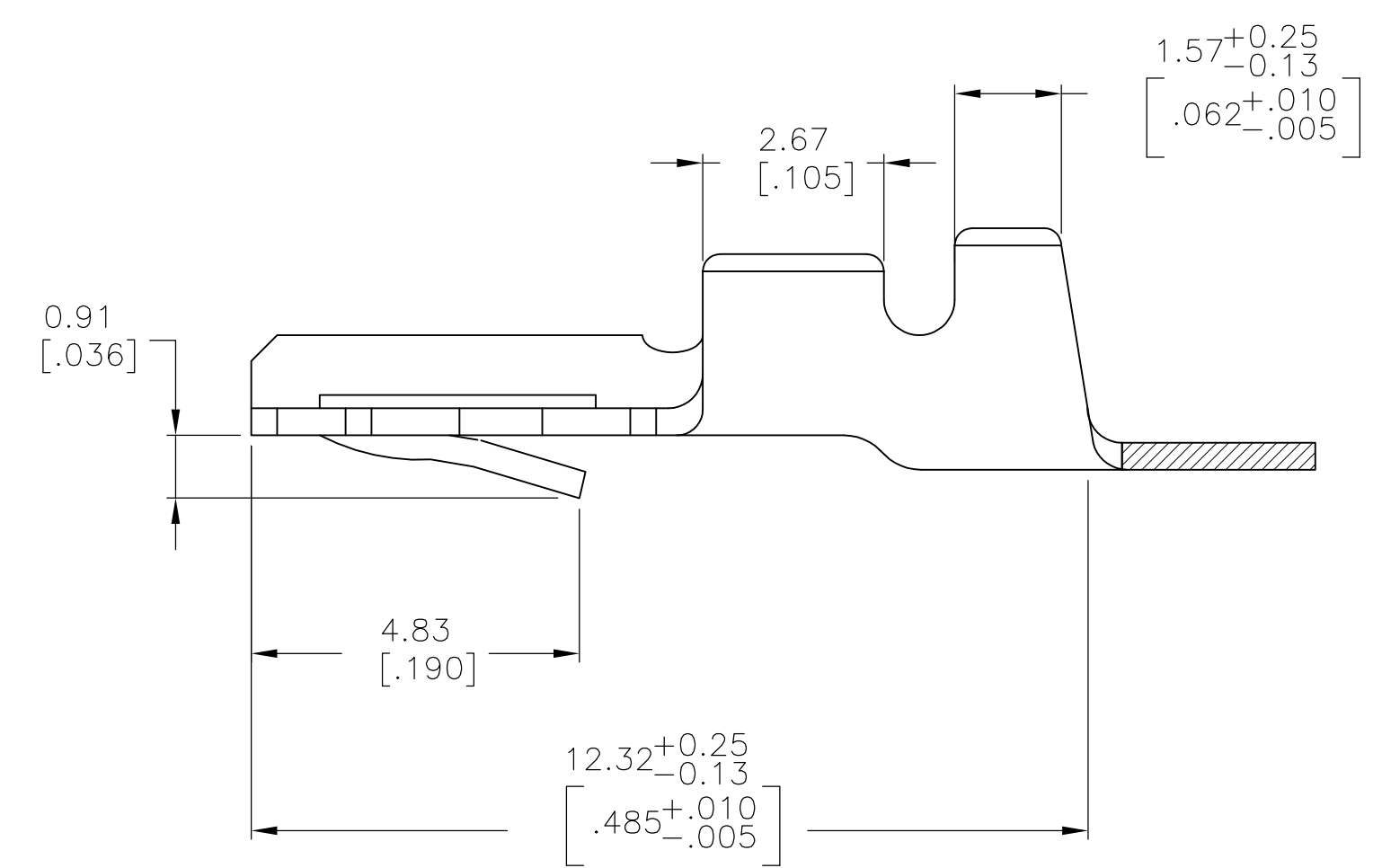
SECTION H-H



SECTION K-K



DETAIL X
SCALE 8:1



- REFER TO CUSTOMER DRAWINGS 530509, 530853, 582370, & 582380 FOR HOUSING AND PC BOARD REQUIREMENTS.
- 0.76 μ m[.000030] MIN GOLD OVER 1.27 μ m[.000050] MIN NICKEL IN CONTACT AREA, 1.27 μ m[.000050] MIN NICKEL ON REMAINDER OF CONTACT.
- 0.38 μ m[.000030] MIN GOLD OVER 1.27 μ m[.000050] MIN NICKEL IN CONTACT AREA, 1.27 μ m[.000050] MIN NICKEL ON REMAINDER OF CONTACT.
- 3.81 μ m[.000150] MIN TIN-LEAD OVER 0.76 μ m[.000030] MIN NICKEL ALL OVER.
- FOR USE WITH STANDARD APPLICATOR.
- FOR USE WITH MINATURE APPLICATOR.
- 3.81 μ m[.000150] MIN MATTE TIN PLATE OVER 0.76 μ m[.000030] MIN NICKEL ALL OVER.
- OBSOLETE PARTS: OBSOLETE CIS STREAMLINING PER D.RENAUD/D.SINISI

| | | | | | | | | | | | | |
|------------|----------|--------------------------|-----------------|---|----------------|----------------|--------------------------|--------------|-------------|------------|-----------|-------------|
| Δ 8 | OBSOLETE | 0.89-1.40 [.035-.055] | 26-22 | 2.16 [.085] | 2.54 [.100] | 1.90 [.075] | 1.90-2.41 [.075-.095] | PER DETAIL-X | - | Δ 4 | 5-66150-2 | |
| Δ 8 | OBSOLETE | 1.52-2.29 [.060-.090] | 22-18 | 3.56 $^{+0.25}_{-0.13}$ [.140 $^{+0.010}_{-0.005}$] | 3.05 [.120] | 2.67 [.105] | 2.67-3.30 [.105-.130] | PER DETAIL-X | - | Δ 7 | 5-66088-2 | |
| | | 0.89-1.40 [.035-.055] | 26-22 | 2.16 [.085] | 2.54 [.100] | 1.90 [.075] | 1.90-2.41 [.075-.095] | - | Δ 6 | Δ 4 | 5-66362-1 | |
| | | 1.52-2.29 [.060-.090] | 22-18 | 3.56 $^{+0.25}_{-0.13}$ [.140 $^{+0.010}_{-0.005}$] | 3.05 [.120] | 2.67 [.105] | 2.67-3.30 [.105-.130] | - | Δ 6 | Δ 4 | 5-66335-2 | |
| Δ 8 | OBSOLETE | 1.52-2.29 [.060-.090] | 22-18 | 3.56 $^{+0.25}_{-0.13}$ [.140 $^{+0.010}_{-0.005}$] | 3.05 [.120] | 2.67 [.105] | 2.67-3.30 [.105-.130] | - | Δ 5 | Δ 4 | 5-60215-4 | |
| | OBSOLETE | 0.89-1.40 [.035-.055] | 26-22 | 2.16 [.085] | 2.54 [.100] | 1.90 [.075] | 1.90-2.41 [.075-.095] | PER DETAIL-X | - | Δ 4 | 66150-2 | |
| | | 1.52-2.29 [.060-.090] | 22-18 | 3.56 $^{+0.25}_{-0.13}$ [.140 $^{+0.010}_{-0.005}$] | 3.05 [.120] | 2.67 [.105] | 2.67-3.30 [.105-.130] | PER DETAIL-X | - | Δ 4 | 66088-2 | |
| | OBSOLETE | 0.89-1.40 [.035-.055] | 26-22 | 2.16 [.085] | 2.54 [.100] | 1.90 [.075] | 1.90-2.41 [.075-.095] | - | Δ 6 | Δ 2 | 66362-2 | |
| | | 0.89-1.40 [.035-.055] | 26-22 | 2.16 [.085] | 2.54 [.100] | 1.90 [.075] | 1.90-2.41 [.075-.095] | - | Δ 6 | Δ 4 | 66362-1 | |
| Δ 8 | OBSOLETE | 1.52-2.29 [.060-.090] | 22-18 | 3.56 $^{+0.25}_{-0.13}$ [.140 $^{+0.010}_{-0.005}$] | 3.05 [.120] | 2.67 [.105] | 2.67-3.30 [.105-.130] | - | Δ 6 | Δ 2 | 66335-3 | |
| | | 1.52-2.29 [.060-.090] | 22-18 | 3.56 $^{+0.25}_{-0.13}$ [.140 $^{+0.010}_{-0.005}$] | 3.05 [.120] | 2.67 [.105] | 2.67-3.30 [.105-.130] | - | Δ 6 | Δ 4 | 66335-2 | |
| | | 1.52-2.29 [.060-.090] | 22-18 | 3.56 $^{+0.25}_{-0.13}$ [.140 $^{+0.010}_{-0.005}$] | 3.05 [.120] | 2.67 [.105] | 2.67-3.30 [.105-.130] | - | Δ 5 | Δ 2 | 60215-5 | |
| | | 1.52-2.29 [.060-.090] | 22-18 | 3.56 $^{+0.25}_{-0.13}$ [.140 $^{+0.010}_{-0.005}$] | 3.05 [.120] | 2.67 [.105] | 2.67-3.30 [.105-.130] | - | Δ 5 | Δ 4 | 60215-4 | |
| | | INSULATION DIA RANGE | WIRE GAGE RANGE | | E | D | B | A | LOOSE PIECE | REELING | FINISH | PART NUMBER |

THIS DRAWING IS A CONTROLLED DOCUMENT.

DMN: M. BINNER 09 JUL 97
CHK: R. STONE 11 NOV 97
APVD: D. WIKE 09 APR 98

STE TE Connectivity

PRODUCT SPEC: 108-9016
APPLICATION SPEC: 114-9002

SIZE: A1
CAGE CODE: 00779
DRAWING NO: 60215
RESTRICTED TO: -

CUSTOMER DRAWING
SCALE: 10:1
SHEET: 1 OF 1
REV: AK2