

REALTEK

RTL8212-GR
RTL8212N-GR
RTL8211N-GR

INTEGRATED 10/100/1000 SINGLE/DUAL GIGABIT ETHERNET TRANSCEIVER

DATASHEET

Rev. 1.3
03 August 2007
Track ID: JATR-1076-21



Realtek Semiconductor Corp.
No. 2, Innovation Road II, Hsinchu Science Park, Hsinchu 300, Taiwan
Tel.: +886-3-578-0211. Fax: +886-3-577-6047
www.realtek.com.tw

COPYRIGHT

©2007 Realtek Semiconductor Corp. All rights reserved. No part of this document may be reproduced, transmitted, transcribed, stored in a retrieval system, or translated into any language in any form or by any means without the written permission of Realtek Semiconductor Corp.

DISCLAIMER

Realtek provides this document ‘as is’, without warranty of any kind, neither expressed nor implied, including, but not limited to, the particular purpose. Realtek may make improvements and/or changes in this document or in the product described in this document at any time. This document could include technical inaccuracies or typographical errors.

TRADEMARKS

Realtek is a trademark of Realtek Semiconductor Corporation. Other names mentioned in this document are trademarks/registered trademarks of their respective owners.

USING THIS DOCUMENT

This document is intended for the hardware and software engineer’s general information on the Realtek RTL8212/RTL8212N/RTL8211N Integrated Circuits.

Though every effort has been made to ensure that this document is current and accurate, more information may have become available subsequent to the production of this guide. In that event, please contact your Realtek representative for additional information that may help in the development process.

REVISION HISTORY

Revision	Release Date	Summary
1.0	2005/08/10	First release.
1.1	2005/09/09	1. Add RTL8211N-GR single PHYceiver. 2. Correct typo for page 20 P0RXDV description.
1.2	2005/11/15	1. Update datasheet and product name to RTL8212, RTL8212N and RTL8211N. 2. Remove RSGMII interface from RTL8212 (QFP-128).
1.3	2007/08/03	1. Describe CLKIN signal in detail for RTL8212 DHS-QFP128 application (Table 10 System Clock Interface Pins, page 14). 2. Correct RGMII Revision number (section 7.2.1 Reduced GMII (RGMII), page 23). 3. Correct typo for MDC clock operation frequency (section 7.4 MDC/MDIO Management Interface, page 32). 4. Update temperature ratings in section 8.1 and 8.2, page 46. 5. Update GMII Mode Timing (RXC and RXD parameters). Add GTXC Cycle Time parameters. Add RXC Time High/Low and RXC Rise/Fall Time parameters (Table 49 Digital Timing Characteristics, page 49). 6. Update RGMII Mode Timing (RXC parameters) Add Clock Output Skew data) Update LED Timing parameters (Table 49 Digital Timing Characteristics, page 49). 7. Add section 8.5 Thermal , page 50. 8. Change RTL8212 package from EDHS-QFP-128 to DHS-QFP-128 (section 10.1 DHS-QFP-128 Dimensions (RTL8212), page 55).

Table of Contents

1.	GENERAL DESCRIPTION	1
2.	FEATURES	2
3.	SYSTEM APPLICATIONS	3
3.1.	SYSTEM APPLICATION DIAGRAMS.....	3
4.	BLOCK DIAGRAM.....	4
5.	PIN ASSIGNMENTS.....	5
5.1.	RTL8212 DHS-QFP-128 PACKAGE.....	5
5.2.	PACKAGE IDENTIFICATION (RTL8212 DHS-QFP-128).....	5
5.3.	RTL8212N QFN-76 PACKAGE.....	6
5.4.	PACKAGE IDENTIFICATION (RTL8212N QFN-76).....	6
5.5.	RTL8211N QFN-76 PACKAGE.....	7
5.6.	PACKAGE IDENTIFICATION (RTL8211N QFN-76).....	7
6.	PIN DESCRIPTIONS.....	8
6.1.	MEDIA DEPENDENT INTERFACE PINS	8
6.2.	MII/GMII TRANSMIT INTERFACE PINS	9
6.3.	MII/GMII RECEIVE INTERFACE PINS	10
6.4.	RGMII TRANSMIT INTERFACE PINS	11
6.5.	RGMII RECEIVE INTERFACE PINS.....	12
6.6.	RSGMII INTERFACE PINS	12
6.7.	SERIAL MANAGEMENT INTERFACE PINS	13
6.8.	SERIAL LED INTERFACE PINS	13
6.9.	SYSTEM CLOCK INTERFACE PINS	14
6.10.	CONFIGURATION AND CONTROL PINS.....	15
6.11.	MISCELLANEOUS PINS	16
6.12.	POWER AND GROUND PINS	17
7.	FUNCTIONAL DESCRIPTION	18
7.1.	MDI INTERFACE.....	18
7.1.1.	Crossover Detection and Auto Correction.....	18

7.1.2.	<i>Polarity Correction</i>	19
7.1.3.	<i>MAC Interface</i>	20
7.2.	GIGABIT MEDIA INDEPENDENT INTERFACE (MII/GMII)	21
7.2.1.	<i>Reduced GMII (RGMII)</i>	23
7.2.2.	<i>10/100Mbps Functionality</i>	24
7.2.3.	<i>TX_CTL and RX_CTL Coding</i>	25
7.2.4.	<i>In-Band Status</i>	27
7.2.5.	<i>Four RGMII Modes</i>	27
7.3.	REDUCED SERIAL GMII (RTL8212N AND RTL8211N ONLY)	28
7.3.1.	<i>RSGMII Data Transfer</i>	30
7.4.	MDC/MDIO MANAGEMENT INTERFACE	32
7.4.1.	<i>Preamble Suppression</i>	33
7.5.	HARDWARE CONFIGURATION INTERFACE	34
7.6.	LED CONFIGURATION	35
7.6.1.	<i>LED System Application Examples</i>	35
7.6.2.	<i>Serial Stream Order</i>	36
7.7.	SYSTEM CLOCK INTERFACE	36
7.8.	REGISTER DESCRIPTIONS	37
7.8.1.	<i>Register Symbols</i>	37
7.8.2.	<i>MII Specification Defined Registers</i>	37
7.8.3.	<i>Register0: Control</i>	38
7.8.4.	<i>Register1: Status</i>	39
7.8.5.	<i>Register2: PHY Identifier 1 Register</i>	40
7.8.6.	<i>Register3: PHY Identifier 2 Register</i>	40
7.8.7.	<i>Register4: Auto-Negotiation Advertisement</i>	41
7.8.8.	<i>Register5: Auto-Negotiation Link Partner Ability</i>	42
7.8.9.	<i>Register6: Auto-Negotiation Expansion</i>	43
7.8.10.	<i>Register7: Auto-Negotiation Page Transmit Register</i>	43
7.8.11.	<i>Register8: Auto-Negotiation Link Partner Next Page Register</i>	44
7.8.12.	<i>Register9: 1000Base-T Control Register</i>	44
7.8.13.	<i>Register10: 1000Base-T Status Register</i>	45
7.8.14.	<i>Register15: Extended Status</i>	45
8.	CHARACTERISTICS	46
8.1.	ABSOLUTE MAXIMUM RATINGS	46
8.2.	OPERATING RANGE	46

8.3.	DC CHARACTERISTICS	47
8.4.	AC CHARACTERISTICS	48
8.4.1.	<i>MII Interface Data Timing</i>	48
8.4.2.	<i>Digital Timing Characteristics</i>	49
8.5.	THERMAL CHARACTERISTICS	50
8.5.1.	<i>QFN-76 Thermal Parameters</i>	51
8.5.2.	<i>QFN-76 Thermal Operating Range</i>	51
8.5.3.	<i>DHS-QFP-128 Thermal Parameters</i>	51
8.5.4.	<i>DHS-QFP-128 Thermal Operating Range</i>	51
9.	DESIGN AND LAYOUT GUIDE	52
9.1.	GENERAL GUIDELINES	52
9.2.	MII/GMII/RGMII SIGNAL LAYOUT GUIDELINES	52
9.3.	RSGMII SIGNAL LAYOUT GUIDELINES	53
9.4.	ETHERNET MDI DIFFERENTIAL SIGNAL LAYOUT GUIDELINES	53
9.5.	CLOCK CIRCUIT	53
9.6.	POWER PLANES	53
9.7.	GROUND PLANE	54
9.8.	TRANSFORMER OPTIONS	54
10.	MECHANICAL DIMENSIONS	55
10.1.	DHS-QFP-128 DIMENSIONS (RTL8212)	55
10.2.	NOTES FOR DHS-QFP-128 DIMENSIONS (RTL8212)	56
10.3.	QFN-76 DIMENSIONS (RTL8211N & RTL8212N)	57
10.4.	NOTES FOR QFN-76 DIMENSIONS (RTL8211N & RTL8212N)	58
11.	ORDERING INFORMATION	59

List of Tables

TABLE 1.	PIN TYPE ABBREVIATIONS.....	8
TABLE 2.	MEDIA DEPENDENT INTERFACE PINS	8
TABLE 3.	MII/GMII TRANSMIT INTERFACE PINS.....	9
TABLE 4.	MII/GMII RECEIVE INTERFACE PINS	10
TABLE 5.	RGMII TRANSMIT INTERFACE PINS	11
TABLE 6.	RGMII RECEIVE INTERFACE PINS	12
TABLE 7.	RSGMII INTERFACE PINS	12
TABLE 8.	SERIAL MANAGEMENT INTERFACE PINS.....	13
TABLE 9.	SERIAL LED INTERFACE PINS	13
TABLE 10.	SYSTEM CLOCK INTERFACE PINS	14
TABLE 11.	CONFIGURATION AND CONTROL PINS	15
TABLE 12.	MISCELLANEOUS PINS	16
TABLE 13.	POWER AND GROUND PINS	17
TABLE 14.	MAPPING OF TWISTED-PAIR OUTPUTS TO RJ-45 CONNECTORS	18
TABLE 15.	MEDIA DEPENDENT INTERFACE PIN MAPPING	18
TABLE 16.	DATA RATES SUPPORTED THROUGH EACH INTERFACE.....	20
TABLE 17.	MAC INTERFACE MODES OF OPERATION.....	20
TABLE 18.	GIGABIT MEDIA INDEPENDENT INTERFACE.....	21
TABLE 19.	MAC INTERFACE MODES OF OPERATION.....	23
TABLE 20.	TX_ER AND TX_EN ENCODING	25
TABLE 21.	RX_ER AND RX_DV ENCODING	26
TABLE 22.	RGMII TIMING MODES	27
TABLE 23.	CONFIGURATION PIN DEFINITIONS.....	34
TABLE 24.	LED MODE.....	35
TABLE 25.	LED STATUS	35
TABLE 26.	SERIAL STREAM ORDER (MODE 0)	36
TABLE 27.	SERIAL STREAM ORDER (MODE 1)	36
TABLE 28.	MII SPECIFICATION DEFINED REGISTERS.....	37
TABLE 29.	REGISTER0: CONTROL	38
TABLE 30.	REGISTER1: STATUS	39
TABLE 31.	REGISTER2: PHY IDENTIFIER 1 REGISTER	40
TABLE 32.	REGISTER3: PHY IDENTIFIER 2 REGISTER	40

TABLE 33. REGISTER4: AUTO-NEGOTIATION ADVERTISEMENT.....	41
TABLE 34. REGISTER5: AUTO-NEGOTIATION LINK PARTNER ABILITY	42
TABLE 35. REGISTER6: AUTO-NEGOTIATION EXPANSION	43
TABLE 36. REGISTER7: AUTO-NEGOTIATION PAGE TRANSMIT REGISTER	43
TABLE 37. REGISTER8: AUTO-NEGOTIATION LINK PARTNER NEXT PAGE REGISTER	44
TABLE 38. REGISTER9: 1000BASE-T CONTROL REGISTER.....	44
TABLE 39. REGISTER10: 1000BASE-T STATUS REGISTER	45
TABLE 40. REGISTER15: EXTENDED STATUS.....	45
TABLE 41. ABSOLUTE MAXIMUM RATINGS.....	46
TABLE 42. OPERATING RANGE.....	46
TABLE 43. DC CHARACTERISTICS.....	47
TABLE 44. DIGITAL TIMING CHARACTERISTICS	49
TABLE 45. QFN-76 THERMAL PARAMETERS.....	51
TABLE 46. QFN-76 THERMAL OPERATING RANGE	51
TABLE 47. DHS-QFP-128 THERMAL PARAMETERS	51
TABLE 48. DHS-QFP-128 THERMAL OPERATING RANGE.....	51
TABLE 49. ORDERING INFORMATION	59

List of Figures

FIGURE 1.	RTL8212N WITH 8-PORT GIGABIT MAC (RTL8369).....	3
FIGURE 2.	RTL8212 WITH 24+2G MAC (RTL8326).....	3
FIGURE 3.	BLOCK DIAGRAM	4
FIGURE 4.	PIN ASSIGNMENTS (RTL8212 DHS-QFP-128).....	5
FIGURE 5.	PIN ASSIGNMENTS (RTL8212N QFN-76).....	6
FIGURE 6.	PIN ASSIGNMENTS (RTL8211N QFN-76).....	7
FIGURE 7.	CONCEPTUAL EXAMPLE OF POLARITY CORRECTION	19
FIGURE 8.	GMII SIGNAL DIAGRAM.....	21
FIGURE 9.	MII SIGNAL DIAGRAM.....	22
FIGURE 10.	RGMII SIGNAL DIAGRAM.....	24
FIGURE 11.	RGMII DATA TRANSMISSION	25
FIGURE 12.	RGMII DATA RECEPTION WITHOUT ERROR.....	26
FIGURE 13.	RGMII DATA RECEPTION WITH ERROR	26
FIGURE 14.	RSGMII INTERCONNECTION DIAGRAM	28
FIGURE 15.	REALTEK 8G SWITCH APPLICATION WITH RSGMII.....	29
FIGURE 16.	RSGMII FUNCTIONAL BLOCK DIAGRAM AT ETHERNET PHY SIDE	31
FIGURE 17.	RSGMII FUNCTIONAL BLOCK DIAGRAM AT ETHERNET MAC SIDE.....	31
FIGURE 18.	MDIO READ FRAME FORMAT	33
FIGURE 19.	MDIO WRITE FRAME FORMAT	33
FIGURE 20.	CLOCK GENERATED FROM MAC (RSGMII MODE).....	36
FIGURE 21.	MII INTERFACE RECEPTION DATA TIMING	48
FIGURE 22.	MII INTERFACE TRANSMISSION DATA TIMING.....	48

1. General Description

The RTL8212/RTL8212N/8211N integrate dual/single independent Gigabit Ethernet transceivers into a single IC and perform all the physical layer (PHY) functions for 10Base-T, 100Base-TX, and 1000Base-T Ethernet on category 3 (10Base-T) or category 5 UTP cable (except 1000Base-T half duplex operation).

The devices include the PCS, PMA, and PMD sub-layers. They perform encoding/decoding, clock/data recovery, digital adaptive equalization, echo cancellers, cross-talk elimination, line driver, as well as all other required support circuit functions. The devices also integrate an internal hybrid that allows the use of inexpensive 1:1 transformer modules.

Each of the two independent transceivers features an industrial standard MII, GMII, and RGMII (Reduced Gigabit Media Independent Interface). To further reduce PCB trace complexity, the RTL8211N/8212N also provides an innovative 2.5Gbps serial interface – the Reduced Serial Gigabit Media Independent Interface (RSGMII). Both dual transceivers can simultaneously communicate with the MAC through the same RSGMII interface.

The RTL8212/RTL8212N/8211N adopts mixed mode 0.13 μ m CMOS technology and analog line driver architecture that offers lower power consumption than DAC architecture.

Two package types are available; a thermally-enhanced 128-pin DHS-QFP (Drop-in Heat Sink QFP) package, and a 76-pin QFN (Quad Flat No-Lead) package.

2. Features

- Single/Dual integrated 10/100/1000Base-T Gigabit Ethernet transceiver
- Supports full duplex at 10/100/1000Mbps, and half duplex at 10/100Mbps
- Supports 2.5V I/O (3.3V input tolerance) GMII and RGMII interfaces in 10/100/1000 mode for RTL8212 (DHS-QFP-128 Package)
- Supports RSGMII (2.5Gbps serial high speed interface) in 10/100/1000 mode for RTL8212N and RTL8211N (QFN-76 Package)
- Crossover detection and auto correction at all 3 speeds
- Automatic detection and correction of wiring pair swaps, pair skew, and pair polarity
- Supports serial LED mode
- Line driver architecture with low power dissipation $P_{ave}=0.78W/port$
- 3.3V, 1.8V, and 1.2V power supply (2.5V is generated by internal linear regulator for Digital I/O pads)
- Packages:
 - ◆ RTL8212: DHS-QFP-128, 14x20mm, 0.5mm lead pitch package
 - ◆ RTL8212N and RTL8211N: QFN-76, 9x9mm, 0.4mm pitch package
- 0.13 μ m CMOS process

3. System Applications

High-density Gigabit Ethernet switches and routers

3.1. System Application Diagrams

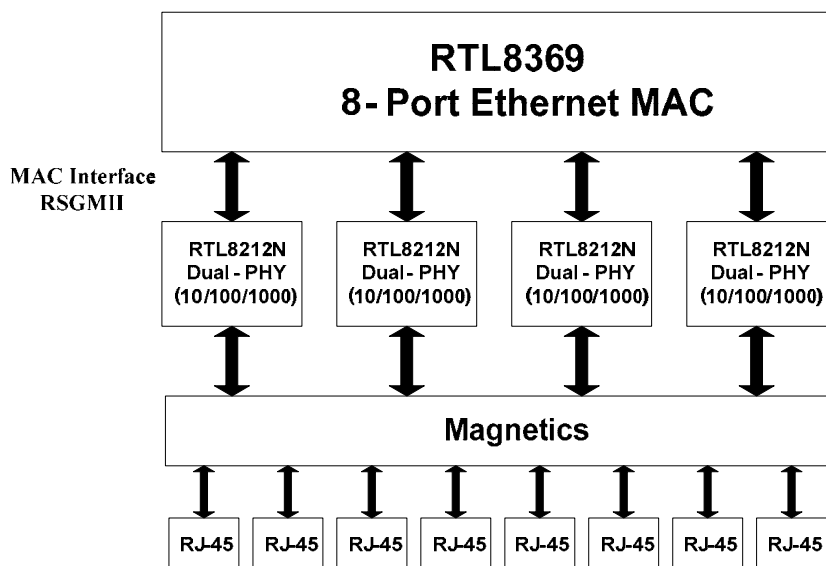


Figure 1. RTL8212N with 8-Port Gigabit MAC (RTL8369)

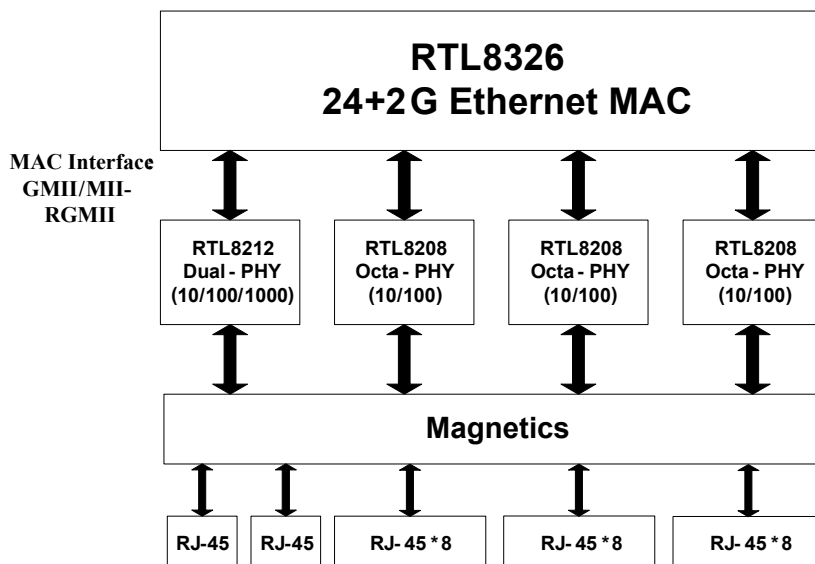


Figure 2. RTL8212 with 24+2G MAC (RTL8326)

4. Block Diagram

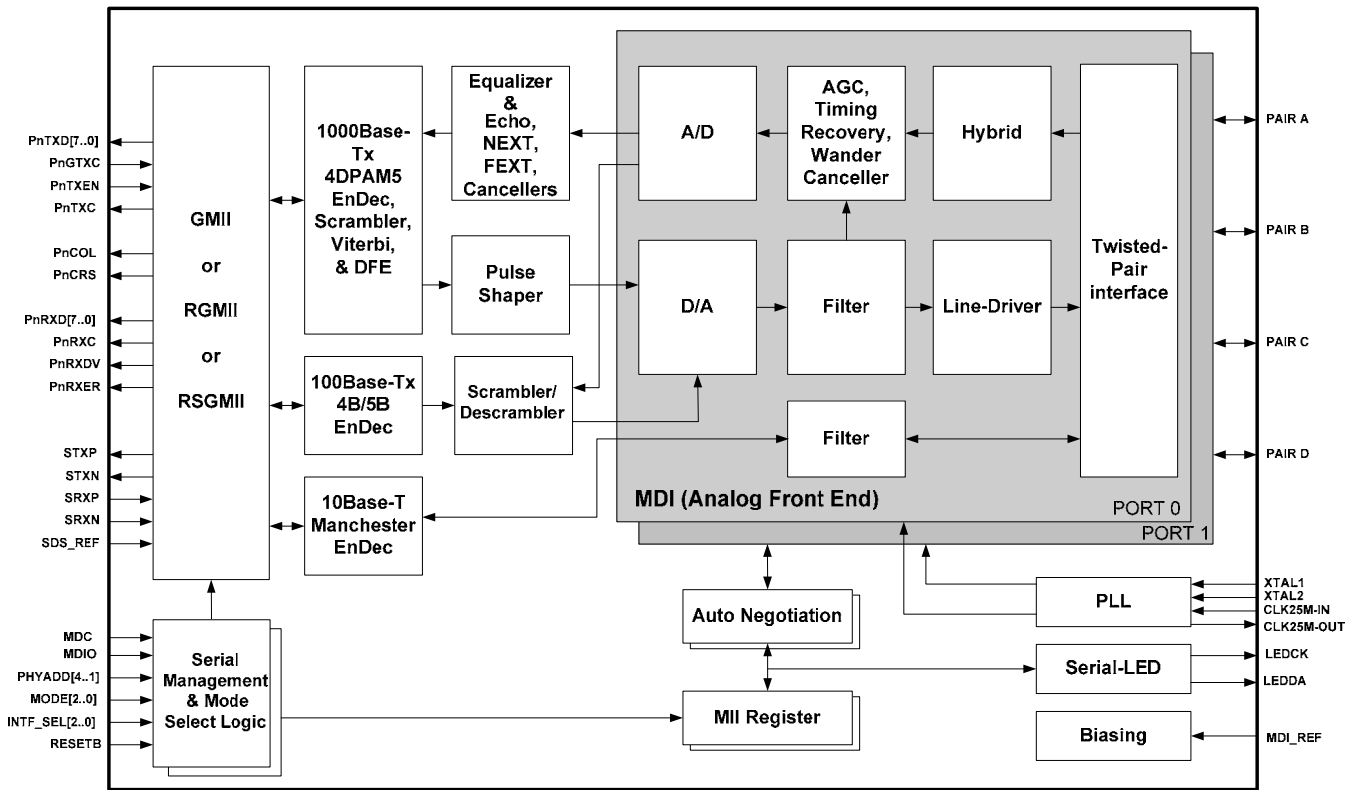


Figure 3. Block Diagram

5. Pin Assignments

5.1. RTL8212 DHS-QFP-128 Package

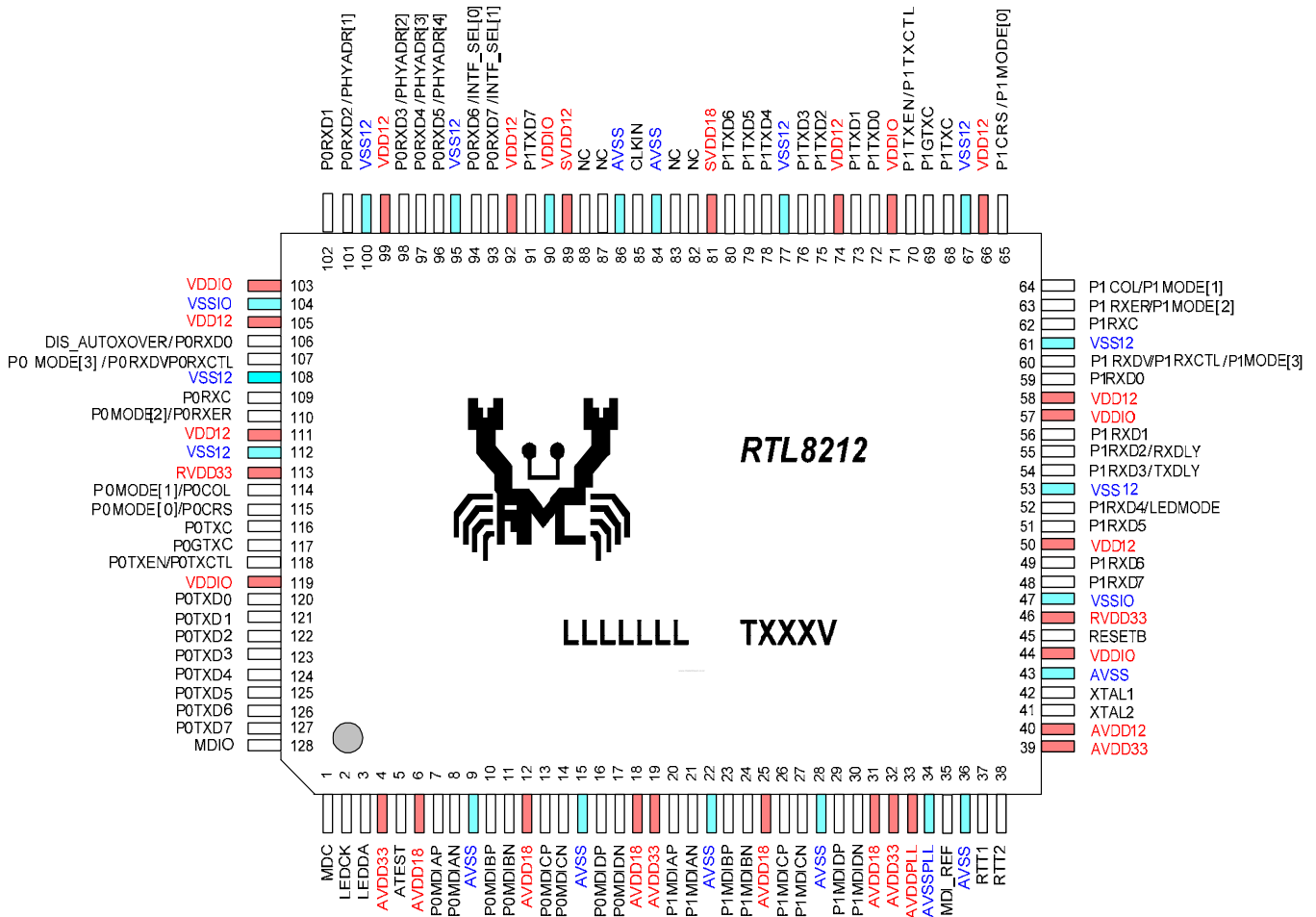


Figure 4. Pin Assignments (RTL8212 DHS-QFP-128)

5.2. Package Identification (RTL8212 DHS-QFP-128)

Green package is indicated by a ‘G’ in the location marked ‘T’ in Figure 4.

5.3. RTL8212N QFN-76 Package

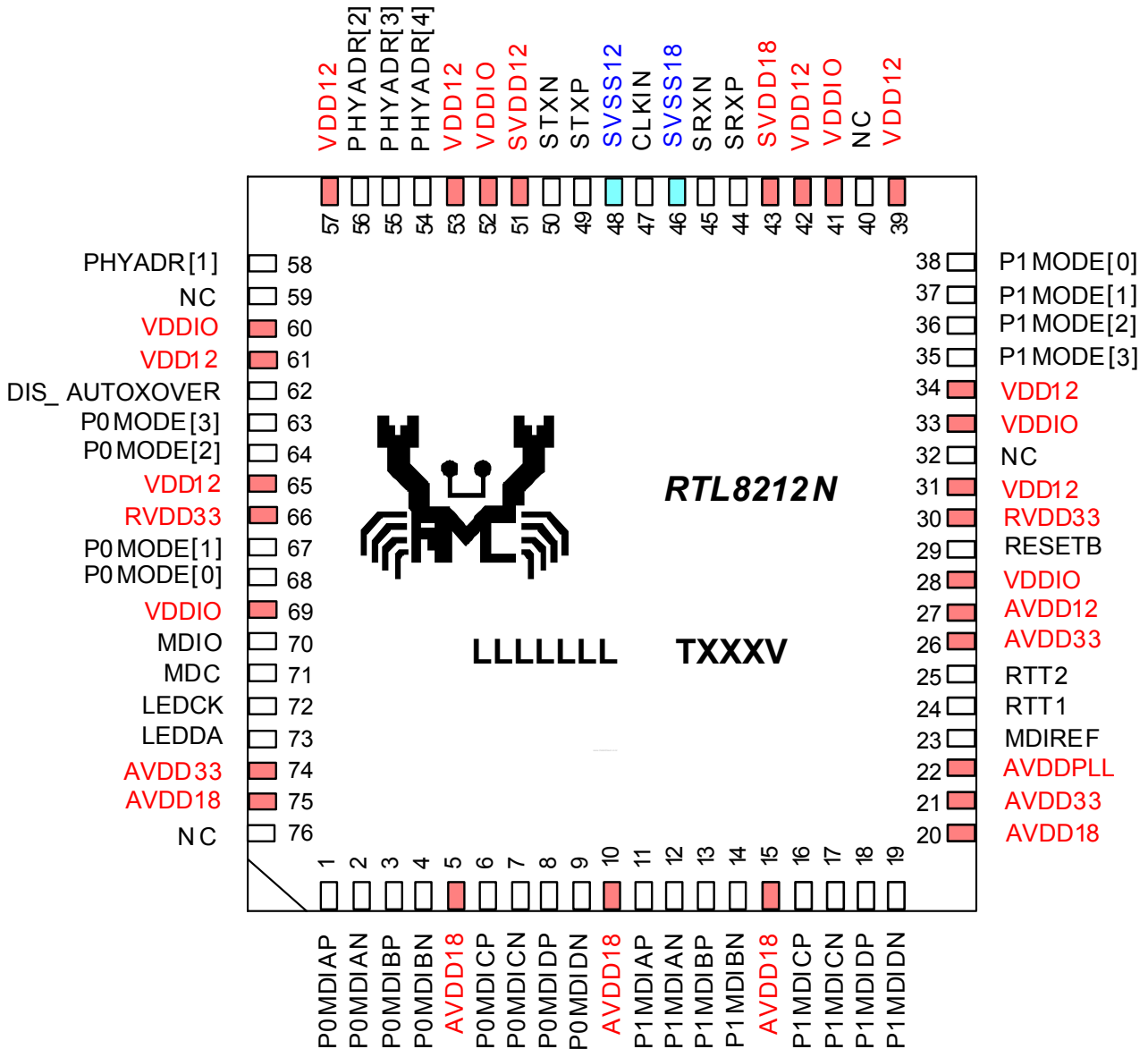


Figure 5. Pin Assignments (RTL8212N QFN-76)

5.4. Package Identification (RTL8212N QFN-76)

Green package is indicated by a ‘G’ in the location marked ‘T’ in Figure 5.

5.5. RTL8211N QFN-76 Package

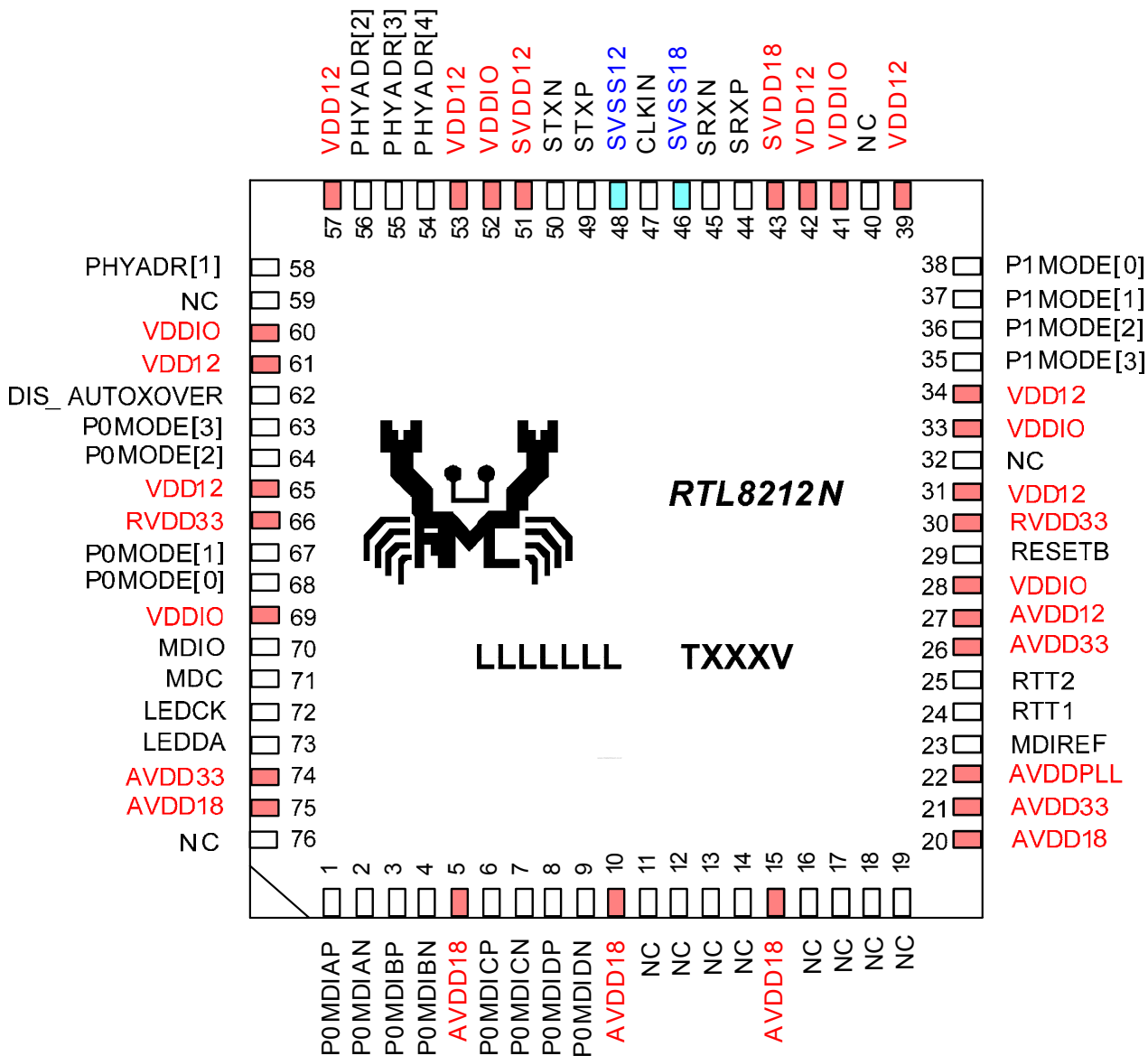


Figure 6. Pin Assignments (RTL8211N QFN-76)

5.6. Package Identification (RTL8211N QFN-76)

Green package is indicated by a ‘G’ in the location marked ‘T’ in Figure 6.

6. Pin Descriptions

Table 1. Pin Type Abbreviations

Pin Type	Definition
I	Input
O	Output
I/O	Bi-directional
B	Bias
PU	Internal pull-up (Typical value = 63K)
PD	Internal pull-down (Typical value = 51K)
PWR	Power
GND	Ground

Note: The RTL8212/RTL8212N/RTL8211N is a dual-port/single Gigabit Ethernet transceiver. Each port, defined as Port0 and Port1 (Port 0 for RTL8211N), is independent of the other, and is identical in performance and functionality. In this document, these pins for each port are specified by the port number, pin name, and signal number, respectively.

For example, GMII transmit data pin 7 for port0 is shown as: P0TXD7

6.1. Media Dependent Interface Pins

Table 2. Media Dependent Interface Pins

QFN76 Pin#	DHS-QFP128 Pin#	Pin Name	Type	Description
1, 2	7, 8	P0MDIAP/N	I/O	Media Dependent Interface A~D. For 1000Base-T operation, differential data from the media is transmitted and received on all four pairs. For 100Base-Tx and 10Base-T operation, only MDIAP/N and MDIBP/N are used. Auto MDIX can reverse the pairs MDIAP/N and MDIBP/N. Each of the differential pairs has an internal 100ohm termination resistor. Pins 11, 12, 13, 14, 16, 17, 18, and 19 of the QFN-76 package are N.C pins for the RTL8211N-GR. The RTL8211N-GR is available in a QFN-76 package only.
3, 4	10, 11	P0MDIBP/N		
6, 7	13, 14	P0MDICP/N		
8, 9	16, 17	P0MDIDP/N		
11, 12	20, 21	P1MDIAP/N		
13, 14	23, 24	P1MDIBP/N		
16, 17	26, 27	P1MDICP/N		
18, 19	29, 30	P1MDIDP/N		

6.2. MII/GMII Transmit Interface Pins

Table 3. MII/GMII Transmit Interface Pins

QFN76 Pin#	DHS-QFP128 Pin#	Pin Name	Type	Description
-	117 69	P0GTXC P1GTXC	I	GMII Transmit Clock. 125MHz input clock. All transmit inputs must be synchronized to this clock during 1000Base-T operation. This clock can be stopped in 10/100Base-T modes, and also during Auto-Negotiation.
-	116 68	P0TXC P1TXC	O (12mA)	MII Transmit Clock. All transmit inputs must be synchronized to this clock during 10/100 operation. It provides a 25MHz clock reference in 100Base-TX mode, and 2.5MHz clock reference in 10Base-T. The 25MHz clock is the default rate.
-	118 70	P0TXEN P1TXEN	I	MII/GMII Transmit Enable. The synchronous input indicates that valid data is being driven on the TXD bus. As the RTL8212 does not support 1000Base-T half-duplex mode, the carrier-extension symbol is not transmitted onto the cable. TXEN is synchronous to GTXC in 1000Base-T mode and synchronous to TXC in 10/100Base-TX mode.
-	127 126 125 124 123 122 121 120 91 80 79 78 76 75 73 72	P0TXD7 P0TXD6 P0TXD5 P0TXD4 P0TXD3 P0TXD2 P0TXD1 P0TXD0 P1TXD7 P1TXD6 P1TXD5 P1TXD4 P1TXD3 P1TXD2 P1TXD1 P1TXD0	I _{PD}	MII/GMII Transmit Data Bus. The width of this synchronous input bus varies with the speed mode: 1000: TXD[7:0] are used. 10/100: TXD[3:0] are used; TXD[7:4] are ignored. TXD[7:0] is synchronous to GTXC in 1000Base-T mode and synchronous to TXC in 10/100Base-TX mode.

6.3. MII/GMII Receive Interface Pins

Table 4. MII/GMII Receive Interface Pins

QFN76 Pin#	DHS-QFP128 Pin#	Pin Name	Type	Description
-	109 62	P0RXC P1RXC	O _{PD} (16mA)	MII/GMII Receive Clock. The MII/GMII Receive output clock is used to synchronize received signals. Its frequency depends upon the link speed: 1000: 125MHz 100: 25MHz 10: 2.5MHz
-	107 60	P0RXDV P1RXDV	O _{PD} (16mA)	MII/GMII Receive Data valid. This synchronous output is asserted when valid data is driven on RXD. RXDV is synchronous to RXC.
-	115 65	P0CRS P1CRS	O _{PD} (12mA)	MII/GMII Carrier Sense. This asynchronous output is asserted when a non-idle condition is detected at the twisted-pair interface, and de-asserted when idle or a valid end of stream delimiter is detected. In 10/100Base-T half duplex, CRS is also asserted during transmission. CRS is asynchronous to TXC and RXC.
-	114 64	P0COL P1COL	O _{PD} (12mA)	MII/GMII Collision. This asynchronous output is asserted when a collision is detected in half-duplex modes. In full duplex mode, this out is forced low. COL is asynchronous to TXC, and RXC.
-	110 63	P0RXER P1RXER	O _{PD} (12mA)	MII/GMII Receive Error. When RXER and RXDV are both asserted, the symbol indicates an error symbol is detected on the cable. Since the RTL8212 does not support 1000Base-T half-duplex mode, carrier-extension receive symbol (RXER is asserted with RXDV deasserted) is not valid. RXDV is synchronous to RXC.
-	93 94 96 97 98 101 102 106 48 49 51 52	P0RXD7 P0RXD6 P0RXD5 P0RXD4 P0RXD3 P0RXD2 P0RXD1 P0RXD0 P1RXD7 P1RXD6 P1RXD5 P1RXD4	O _{PD} (12mA) O _{PD} (16mA) O _{PD} (12mA)	MII/GMII Receive Data Bus. The width of this synchronous output bus varies with the speed mode: 1000: RXD[7:0] are used. 10/100: RXD[3:0] are used; RXD[7:4] are ignored. RXD[7:0] is synchronous to RXC.

QFN76 Pin#	DHS-QFP128 Pin#	Pin Name	Type	Description
	54	P1RXD3	O _{PD} (16mA)	
	55	P1RXD2		
	56	P1RXD1		
	59	P1RXD0		

6.4. RGMII Transmit Interface Pins

Table 5. RGMII Transmit Interface Pins

QFN76 Pin#	DHS-QFP128 Pin#	Pin Name	Type	Description
-	117 69	P0GTXC P1GTXC	I	RGMII Transmit Clock. All transmit inputs must be synchronized to this clock. Its frequency, with ± 50 ppm tolerance, depends upon the link speed: 1000: 125MHz 100: 25MHz 10: 2.5MHz
-	123 122 121 120 76 75 73 72	P0TXD3 P0TXD2 P0TXD1 P0TXD0 P1TXD3 P1TXD2 P1TXD1 P1TXD0	I _{PD}	RGMII Transmit Data Bus. In RGMII 1000Base-T mode, TXD[3..0] runs at a double data rate with bits[3..0] presented on the rising edge of the GTXC, and bits[7..4] presented on the falling edge of the GTXC. TXD[7..4] are ignored in this mode. In RGMII 10/100Base-T modes, the transmitted data nibble is presented on TXD[3..0] on the rising edge of GTXC and duplicated on the falling edge of GTXC.
-	118 70	P0TXEN/ P0TXCTL P1TXEN/ P1TXCTL	I _{PD}	RGMII Transmit Control. In RGMII mode, TXEN is used as TXCTL. TXEN is presented on the rising edge of GTXC. A logical derivative of TXEN and TXER is presented on the falling edge of GTXC.

6.5. RGMII Receive Interface Pins

Table 6. RGMII Receive Interface Pins

QFN76 Pin#	DHS-QFP128 Pin#	Pin Name	Type	Description
-	109 62	P0RXC P1RXC	O (16mA)	RGMII Receive Clock. All RGMII receive outputs must be synchronized to this clock. Its frequency, with ± 50 ppm tolerance, depends upon the link speed: 1000: 125MHz 100: 25MHz 10: 2.5MHz
-	98 101 102 106 54 55 56 59	P0RXD3 P0RXD2 P0RXD1 P0RXD0 P1RXD3 P1RXD2 P1RXD1 P1RXD0	O _{PD} (16mA)	RGMII Receive Data Bus. In RGMII 1000Base-T mode, RXD[3..0] runs at a double data rate with bits[3..0] presented on the rising edge of the RXC and bits[7..4] presented on the falling edge of the RXC. RXD[7..4] are ignored in this mode. In RGMII 10/100Base_T modes, the received data nibble is presented on RXD[3..0] on the rising edge of RXC and duplicated on the falling edge of RXC.
-	107 60	P0RXDV/ P0RXCTL P1RXDV/ P1RXCTL	O _{PD} (16mA)	RGMII Receive Control. In RGMII mode, RXDV is used as RXCTL. RXDV is presented on the rising edge of RXC. A logical derivative of RXDV and RXER is presented on the falling edge of RXC.

6.6. RSGMII Interface Pins

Table 7. RSGMII Interface Pins

QFN76 Pin#	DHS-QFP128 Pin#	Pin Name	Type	Description
44 45	-	SRXP SRXN	O	RSGMII Receive Pair. 2.5GHz differential serial output. The differential pair has an internal 100ohm termination resistor.
49 50	-	STXP STXN	I	RSGMII Transmit Pair. 2.5GHz differential serial input. The differential pair has an internal 100ohm termination resistor.

6.7. Serial Management Interface Pins

Table 8. Serial Management Interface Pins

QFN76 Pin#	DHS-QFP128 Pin#	Pin Name	Type	Description
71	1	MDC	I	Management Data Clock. The clock reference for the serial management interface.
70	128	MDIO	I/O _{PU} (8mA)	Management Data Input/Output. MDIO transfer management data; in and out of the device synchronous to the rising edge of MDC.
54	96	PHYADR[4]/ P0RXD5	O _{PD} (12mA)	PHY Address Select. These pins are the four uppermost bits of the 5-bit IEEE-specified PHY address. The states of these four pins are latched during power-up or reset.
55	97	PHYADR[3]/ P0RXD4		
56	98	PHYADR[2]/ P0RXD3	O _{PD} (16mA)	The lowest bit of the 5-bit PHY address is hard-wired to each of the dual ports within the device. '0' represents Port0, and '1' represents Port1.
58	101	PHYADR[1]/ P0RXD2		

6.8. Serial LED Interface Pins

Table 9. Serial LED Interface Pins

QFN76 Pin#	DHS-QFP128 Pin#	Pin Name	Type	Description
72	2	LEDCK	O (8mA)	Serial LED Clock. Reference output clock for serial LED interface. The 12.5MHz clock outputs periodically. Data is latched on the rising edge of LEDCK.
73	3	LEDDA	O (8mA)	Serial LED Data Output. Serial bit stream of link status information.
32	52	LEDMODE/ P1RXD4	O _{PD} (12mA)	Serial LED Mode Select. These pins are used to configure LED operation mode. The state of this pin is latched during power-up or reset. There are two LED display modes: 0: Mode 0 1: Mode 1

6.9. System Clock Interface Pins

Table 10. System Clock Interface Pins

QFN76 Pin#	DHS-QFP128 Pin#	Pin Name	Type	Description
-	42	XTAL1	I	PHY Reference Clock Input. 25MHz \pm 50ppm tolerance crystal reference or oscillator input. When using a crystal, connect a loading capacitor from each pad to ground. When CLKIN is used, this pin is not valid and should be pulled-low. The maximum XTAL1 input voltage is 1.8 V.
-	41	XTAL2	O	PHY Reference Clock Output. 25MHz \pm 50ppm tolerance crystal reference or oscillator output. When CLKIN is used, this pin is not valid and should be floating.
47	85	CLKIN	I	25MHz Clock Input. 25MHz \pm 50ppm tolerance clock input. When RSGMII is used, this pin is able to accept a 25MHz clock signal generated from the MAC device (RTL8212N/RTL8211N only). <i>Note: This pin should be tied to ground for RTL8212 DHS-QFP128 applications.</i> The maximum CLKIN input voltage is 1.8V.

6.10. Configuration and Control Pins

Table 11. Configuration and Control Pins

QFN76 Pin#	DHS-QFP128 Pin#	Pin Name	Type	Description
-	93	INTF_SEL[1]	O _{PD} (12mA)	MAC Interface Mode Select. INTF_SEL[1:0] determines the MAC interface configuration for both port0 and port1: 00: RSGMII (default mode) 01: GMII 10: RGMII 11: Reserved
-	94	INTF_SEL[0]		
63	107	P0MODE[3]	O _{PD} (16mA)	Auto-Negotiation Configuration. PxMODE[3:0] presets each port's advertise link ability (speed, duplex, and master/slave). The states of this pin is latched during power-up or reset. PxMODE[3:0] defined as: 0000: Auto-negotiation, advertise all capabilities, prefer MASTER 0001: Auto-negotiation, advertise all capabilities, prefer SLAVE 0010: Auto-negotiation, advertise only 100Base-TX half duplex 0011: Auto-negotiation, advertise only 100Base-TX full duplex 0100: Reserved 0101: Reserved 0110: Reserved 0111: Reserved 1000: Auto-negotiation, advertise only 1000Base-T full duplex, force MASTER 1001: Auto-negotiation, advertise only 1000Base-T full duplex, force SLAVE 1010: Auto-negotiation, advertise only 1000Base-T full duplex, prefer MASTER 1011: Auto-negotiation, advertise only 1000Base-T full duplex, prefer SLAVE 1100: Auto-negotiation, advertise all capabilities, force MASTER 1101: Auto-negotiation, advertise all capabilities, force SLAVE 1110: Auto-negotiation, advertise only 10Base-T half duplex 1111: Auto-negotiation, advertise only 10Base-T full duplex
64	110	P0MODE[2]	O _{PD} (12mA)	
67	114	P0MODE[1]		
68	115	P0MODE[0]		
35	60	P1MODE[3]	O _{PD} (16mA)	Auto-Negotiation Configuration. PxMODE[3:0] presets each port's advertise link ability (speed, duplex, and master/slave). The states of this pin is latched during power-up or reset. PxMODE[3:0] defined as: 0000: Auto-negotiation, advertise all capabilities, prefer MASTER 0001: Auto-negotiation, advertise all capabilities, prefer SLAVE 0010: Auto-negotiation, advertise only 100Base-TX half duplex 0011: Auto-negotiation, advertise only 100Base-TX full duplex 0100: Reserved 0101: Reserved 0110: Reserved 0111: Reserved 1000: Auto-negotiation, advertise only 1000Base-T full duplex, force MASTER 1001: Auto-negotiation, advertise only 1000Base-T full duplex, force SLAVE 1010: Auto-negotiation, advertise only 1000Base-T full duplex, prefer MASTER 1011: Auto-negotiation, advertise only 1000Base-T full duplex, prefer SLAVE 1100: Auto-negotiation, advertise all capabilities, force MASTER 1101: Auto-negotiation, advertise all capabilities, force SLAVE 1110: Auto-negotiation, advertise only 10Base-T half duplex 1111: Auto-negotiation, advertise only 10Base-T full duplex
36	63	P1MODE[2]	O _{PD} (12mA)	
37	64	P1MODE[1]		
38	65	P1MODE[0]		
-	54	TXDLY	O _{PD}	GTXC Clock Delay Select. This pin enables GTXC input delay in RGMII mode (See Table 22, page 27 for detailed configuration).
-	55	RXDLY	O _{PD}	RXC Clock Delay Select. This pin enables RXC output delay in RGMII mode (See Table 22, page 27 for detailed configuration).
62	106	DIS_ AUTOXOVER	O _{PD}	1: Disable auto crossover detection 0: Enable auto crossover detection

6.11. Miscellaneous Pins

Table 12. Miscellaneous Pins

QFN76 Pin#	Q128 Pin#	Pin Name	Type	Description
29	45	RESETB	I	Hardware Reset. Active low reset signal. To complete the reset function, this pin must be asserted for at least 10ms. It must be pulled high for normal operation.
23	35	MDI_REF	I _B	MDI Bias Resistor. Adjusts the reference current for both PHYs. A resistor of 2.49KΩ±1% is connected between this pin and ground.
24	37	RTT1	O	Test Pin 1. Reserved pin for internal analog debugging. Connect to ground through a 1KΩ resistor. If debug is not important and there are board space constraints, this pin can be left floating.
25	38	RTT2	I	Test Pin 2. Reserved pin for internal analog debugging. Connect to ground through a 1KΩ resistor. If debug is not important and there are board space constraints, this pin can be left floating.
-	5	ATEST	O	Analog Test Pin. Reserved pin for internal analog debugging. Connect to ground through a 1KΩ resistor. If debug is not important and there are board space constraints, this pin can be left floating.

6.12. Power and Ground Pins

Table 13. Power and Ground Pins

QFN76 Pin#	DHS-QFP128 Pin#	Pin Name	Type	Description
3.3V Power Supply				
21, 26, 74	4, 19 32, 39	AVDD33	PWR	Analog Power 3.3V.
30, 66	46, 113	RVDD33	PWR	Analog Power 3.3V for Internal Regulator.
1.8V Power Supply				
5, 10, 15, 20	6, 12 18, 25, 31	AVDD18	PWR	Analog Power 1.8V.
22	33	AVDDPLL	PWR	Analog Power 1.8V for PLL This pin is filtered with a low resistance series ferrite bead and 1000pF + 2.2uF shunt capacitors to ground.
43	81	SVDD18	PWR	Analog Power 1.8V for RSGMII.
1.2V Power Supply				
27	40	AVDD12	PWR	Analog Power 1.2V.
51	89	SVDD12	PWR	Analog Power 1.2V for RSGMII.
31, 34, 39, 42, 53, 57, 61, 65	50, 58, 66, 74, 92, 99, 105, 111	VDD12	PWR	Digital Power 1.2V for Digital Core.
2.5V Power Output Pin				
28, 33, 41, 52, 60, 69	44, 57, 71, 90, 103, 119	VDDIO	PWR	Digital I/O Power 2.5V. This power is generated from an internal regulator. Connect the following group of pins together DHS-QFP-128: Group (44, 57, 71), Group (90, 103, 119) QFN-76: Group (28, 33, 41), Group (52, 60, 69) If MII/GMII/RGMII is not used, no external PCB trace is required. Only connect to ground through a decoupling capacitor.
Ground				
GND PAD	9, 15, 22, 28, 36, 43,	AVSS	GND	Analog ground.
GND PAD	34	AVSSPLL	GND	PLL ground.
GND PAD	53, 61, 67, 77, 95, 100, 108, 112	VSS12	GND	Digital Core ground.
GND PAD	47, 104	VSSIO	GND	Digital I/O ground.
46	84	SVSS18	PWR	Analog 1.8V GND for RSGMII.
48	86	SVSS12	PWR	Analog 1.2V GND for RSGMII.

7. Functional Description

7.1. MDI Interface

The RTL8212/RTL8212N/8211N uses a single common MDI interface to support 10Base-T, 100Base-Tx, and 1000Base-T. This interface consists of four signal pairs-A, B, C, and D. Each signal pair consists of two bi-directional pins that can transmit and receive at the same time. The MDI interface has internal termination resistors, and therefore reduces BOM cost and PCB complexity. For 1000Base-T, all four pairs are used in both directions at the same time. For 10/100 links and during auto-negotiation, only pairs A and B are used. Table 14 shows the mapping between the pairs and the RJ-45 signals.

Table 14. Mapping of Twisted-Pair Outputs to RJ-45 Connectors

Pairs	RJ-45 Connector
A	1 and 2
B	3 and 6
C	4 and 5
D	7 and 8

7.1.1. Crossover Detection and Auto Correction

The RTL8212/RTL8212N/8211N automatically determines whether or not it needs to crossover between pairs; removing the need for an external crossover cable. When connecting to a device that does not perform MDI crossover, the RTL8212/RTL8212N/RTL8211N automatically switches its pin pairs to communicate with the connecting device. When connecting to a device that does have MDI crossover capability, an algorithm determines which end performs the crossover function.

The crossover detection and auto correction function can be disabled by strap pin. The RTL8212/RTL8212N/8211N is set to MDI Crossover by default. The pin mapping in MDI and MDI Crossover mode is given in Table 15.

Table 15. Media Dependent Interface Pin Mapping

Pairs	MDI			MDI Crossover		
	1000Base-T	100Base-TX	10Base-T	1000Base-T	100Base-TX	10Base-T
A	A	TX	TX	B	RX	RX
B	B	RX	RX	A	TX	TX
C	C	Unused	Unused	D	Unused	Unused
D	D	Unused	Unused	C	Unused	Unused

7.1.2. Polarity Correction

The RTL8212/RTL8212N/8211N automatically correct polarity errors on the receiver pairs in 10Base-T and 1000Base-T modes. In 100Base-Tx mode, the polarity is irrelevant.

In 1000Base-T mode, receive polarity errors are automatically corrected based on the sequence of idle symbols. Once the descrambler is locked the polarity is also locked on all pairs. The polarity becomes unlocked only when the receiver loses lock.

In 10Base-T mode, polarity errors are corrected based on the detection of valid spaced link pulses. The detection begins during the MDI crossover detection phase and locks when the 10Base-T link is up. The polarity becomes unlocked when the link is down.

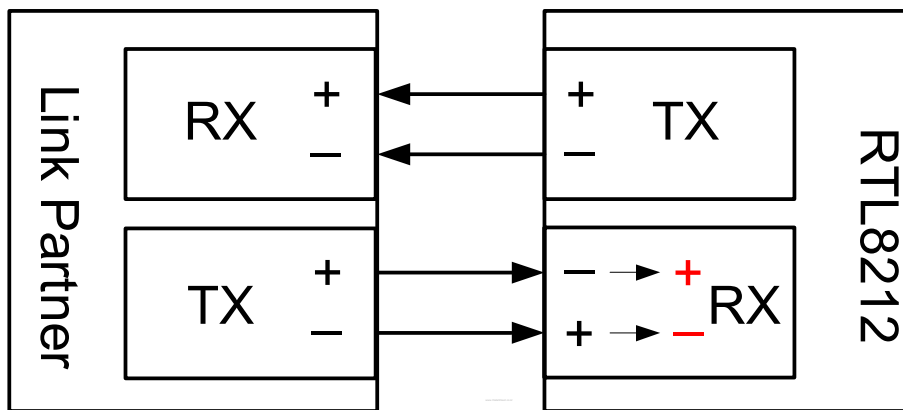


Figure 7. Conceptual Example of Polarity Correction

7.1.3. MAC Interface

The RTL8212/RTL8212N/RTL8211N MAC interface supports MII/GMII, RGMII, and RSGMII (2.5Gbps serial interface; RTL8212N and RTL8211N only). The MAC interface selection is set by INTF_SEL[1..0]. Table 16 shows the data rates supported through each interface, and Table 17 shows each MAC interface operation mode.

Table 16. Data Rates Supported Through Each Interface

MAC Interface	10Base-T	100Base-TX	1000Base-T
MII	√	√	-
GMII	-	-	√
RGMII	√	√	√
RSGMII (RTL8212N/RTL8211N only)	√	√	√

Table 17. MAC Interface Modes of Operation

MAC Interface	Speed	Data Width	Clock Frequency	Clock Edge	Notes
MII	100	4 bits	25MHz	Rising	-
	10	4 bits	2.5MHz	Rising	-
GMII	1000	8 bits	125MHz	Rising	-
RGMII	1000	4 bits	125MHz	Rising/Falling	-
	100	4 bits	25MHz	Rising	1
	10	4 bits	2.5MHz	Rising	1
RSGMII (RTL8212N/RTL8211N only)	1000	1 bits	125MHz	Rising	2
	100	1 bits	125MHz	Rising	3
	10	1 bits	125MHz	Rising	3

Note 1: The data may be duplicated on the falling edge of the appropriate clock when the interface operates at 10 and 100Mbps speeds.

Note 2: The internal PLL generates 20 sub-phase clock signals by dividing the 125MHz clock. The data can be latched on the rising edge of each sub-phase signal. The data bandwidth of the RSGMII interface is up to 2.5Gbps (125M*20*1).

Note 3: Operation at 10 and 100Mbps uses respectively only 1% and 10% of the RSGMII Interface bandwidth.

7.2. Gigabit Media Independent Interface (MII/GMII)

Table 18 indicates the signal mapping of the RTL8212 to the Gigabit Media Independent Interface (MII/GMII). MII signaling to support 100Base-Tx and 10Base-T modes is implemented by sharing pins of the GMII interface. The interface supports GMII to copper connections at all three speeds. The GMII mode does not support carrier extension and packet concatenation in both the transmit and the receive directions, due to not having a TXER pin.

Table 18. Gigabit Media Independent Interface

RTL8212 Pins	MII	GMII
GTXC	-	GTX_CLK
TXC	TXC	-
TXEN	TX_EN	TX_EN
TXD[7..4]	-	TXD[7..4]
TXD[3..0]	TXD[3..0]	TXD[3..0]
RXC	RX_CLK	RX_CLK
RXER	RX_ER	RX_ER
RXDV	RX_DV	RX_DV
RXD[7..4]	-	RXD[7..4]
RXD[3..0]	RXD[3..0]	RXD[3..0]
CRS	CRS	CRS
COL	COL	COL

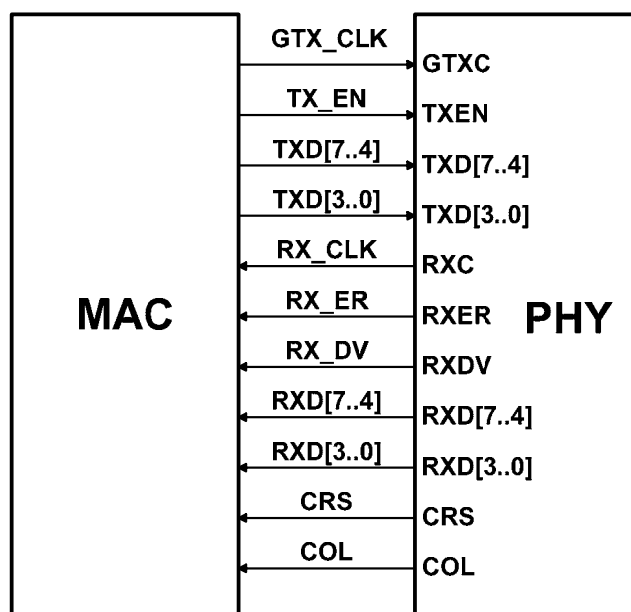


Figure 8. GMII Signal Diagram

In 1000Base-T operation, when GMII mode is selected, a 125MHz transmit clock is expected on GTXC, and RXC sources the 125MHz receive clock. At the same time, TXC sources 25MHz, 2.5MHz, or 0MHz depending on the MDI status.

In 10Base-T and 100Base-TX modes, when MII mode is selected, both TXC and RXC source 25MHz or 2.5MHz, respectively. TXD[3:0] and RXD[3:0] signals are used. GTXC and TXD[7..4] signals must be pulled high or low and must not be left floating. RXD[7..4] are driven low.

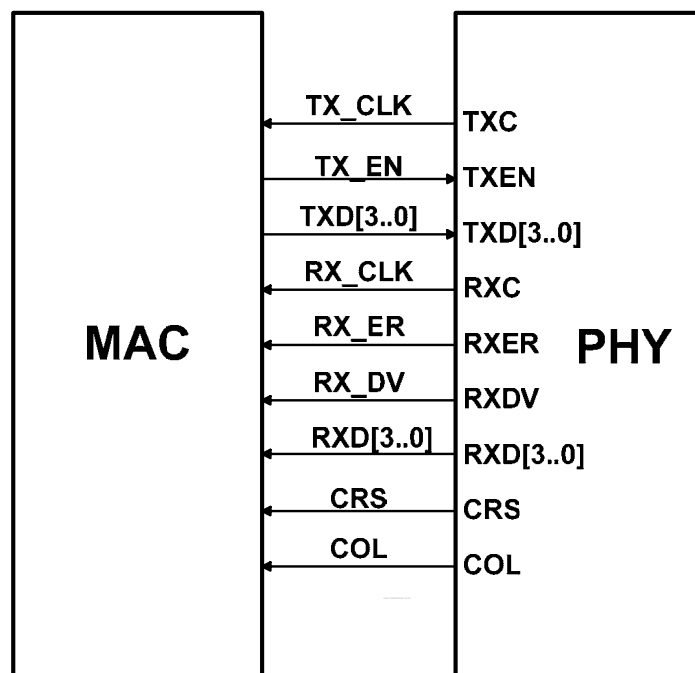


Figure 9. MII Signal Diagram

During the transition from one speed to another, a dead time of 1.5 clock cycles may occur in RXC and TXC (in order to ensure a glitch-free clock).

Note: The MII and GMII interfaces are enabled by hardware configuration bits `INTF_SEL[1..0]` that are latched at the end of hardware reset.

7.2.1. Reduced GMII (RGMII)

The RTL8212 supports the RGMII Rev. 1.3 specification. This interface reduces the interconnection between the MAC and the PHY to 12 pins. In order to accomplish this objective, the data paths and all associated control signals are reduced. Control signals are multiplexed and both edges of the clock are used.

For Gigabit operation, the transmit and the receive clocks operate at 125MHz. For 10/100 operation, the clocks operate at 2.5MHz or 25MHz respectively. Once the RGMII is selected in all three speeds, transmit control is presented on both clock edges of GTXC (TXC). Receive control (RX_CTL) is presented on both clock edges of RXC (RXC).

The RGMII interface is selected by setting INTF_SEL[1..0] to '10'.

Table 19. MAC Interface Modes of Operation

RTL8212 Pins	RGMII	Description
GTXC	TXC	125MH, 25MHz, or 2.5MHz transmit clock, with ± 50 ppm tolerance, based on the selected speed.
TXEN	TX_CTL	Transmit Control Signals. TX_EN is encoded on the rising edge of GTXC. TX_ER XOR TX_EN is encoded on the falling edge of GTXC.
TXD[3..0]	TD[3..0]	Transmit data. In 1000Base-T mode, bits 3:0 are presented on the rising edge of GTXC, and bits 7:4 is presented on the falling edge of GTXC. In 10/100 mode, bits 3:0 is presented on the rising edge of GTXC, and duplicated on the falling edge of GTXC.
RXC	RXC	125MH, 25MHz, or 2.5MHz receive clock, with ± 50 ppm tolerance, based on the selected speed.
RXDV	RX_CTL	Receive Control Signals. RX_DV is encoded on the rising edge of RXC, RX_ER XOR RX_DV is encoded on the falling edge of RXC.
RXD[3..0]	RD[3..0]	Receive data. In 1000Base-T mode, bits 3:0 is presented on the rising edge of RXC, and bits 7:4 are presented on the falling edge of RXC. In 10/100 mode, bits 3:0 is presented on the rising edge of RXC, and duplicated on the falling edge of RXC.

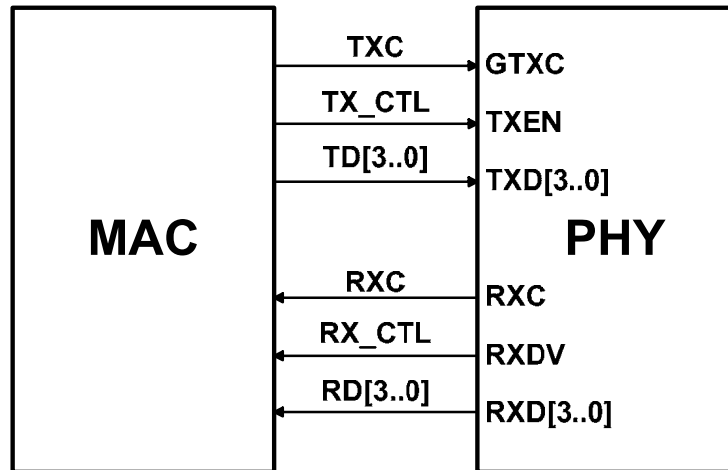


Figure 10. RGMII Signal Diagram

7.2.2. 10/100Mbps Functionality

This interface can be used to implement the 10/100Mbps Ethernet Media Independent Interface (MII) by reducing the clock rate to 25MHz for 100Mbps operation and 2.5MHz for 10Mbps. The TXC will always be generated by the MAC and RXC will always be generated by the PHY. During packet reception, the RXC may be stretched on either the positive or negative pulse to accommodate the transition from the free running clock to a data-synchronous clock domain. When the speed of the PHY changes, a similar stretching of the positive or negative pulses is allowed. No glitch of the clocks is allowed during speed transitions.

The interface will operate at 10 and 100Mbps speeds exactly the same way it does at Gigabit speed with the exception that the data may be duplicated on the falling edge of the appropriate clock.

The MAC must hold TXEN (TX_CTL) low until the MAC has ensured that TXEN (TX_CTL) is operating at the same speed as the PHY.

7.2.3. TX_CTL and RX_CTL Coding

To reduce power consumption of this interface, TX_ER and RX_ER are encoded in a manner that minimizes transitions during normal network operation. This is done via the following encoding method. *Note that the RTL8212 does not support Half-Duplex in 1000Base-T and the GMII_TX_ER signal is tied to logic low at all times. Carrier extend and transmit errors never appear at the transmitting and receiving end.*

$\text{TX_CTL} \leftarrow \text{GMII_TX_ER (XOR) GMII_TX_EN}$

$\text{RX_CTL} \leftarrow \text{GMII_RX_ER (XOR) GMII_RX_DV}$

While receiving a valid frame with no errors, RX_DV=true is generated as a logic high on the rising edge of RXC, and RX_ER=false is generated as a logic high on the falling edge of RXC. When no frame is being received, RX_DV=false is generated as a logic low on the rising edge of RXC, and RX_ER=false is generated as a logic low on the falling edge of RXC.

When receiving a valid frame with errors, RX_DV=true is generated as a logic high on the rising edge of RXC, and RX_ER=true is generated as a logic low on the falling edge of RXC.

During normal frame transmission, the signal stays at high for both edges of TXC. During normal inter-frame, the signal stays low for both edges.

Table 20. TX_ER and TX_EN Encoding

TX_CTL	GMII_TX_EN	GMII_TX_ER	Description
0, 0	0	0	Normal Inter-Frame
1, 1	1	0	Normal Data Transmission

Note: As GMII_TX_ER is always tied to logic low in the RTL8212, no transmit error symbol or carrier extend symbol occurs in data transmission.

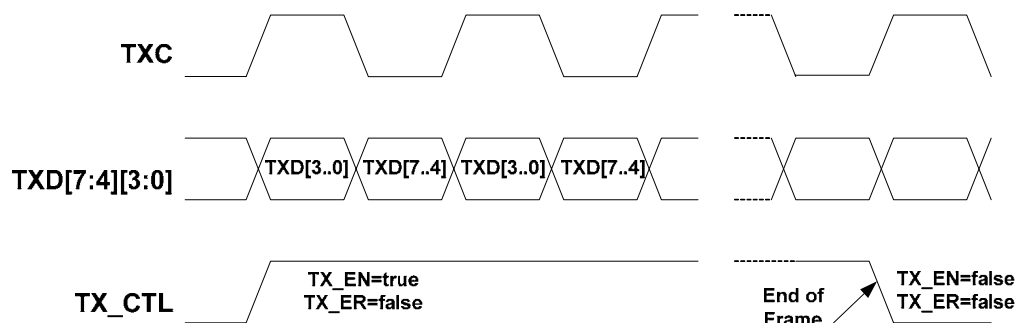


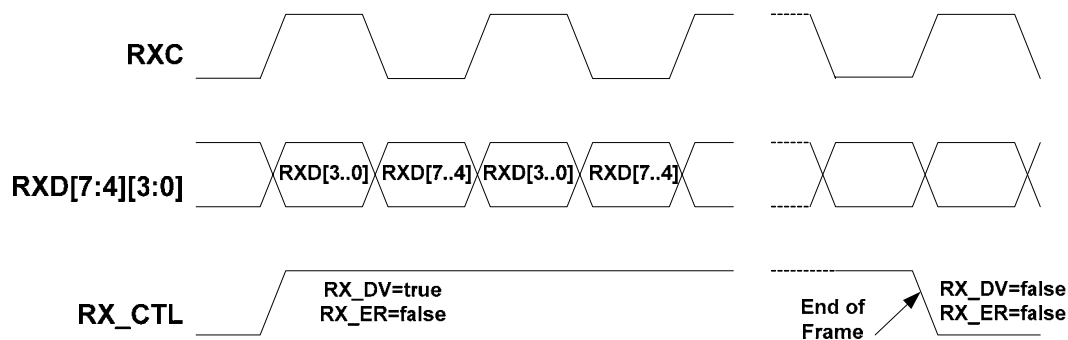
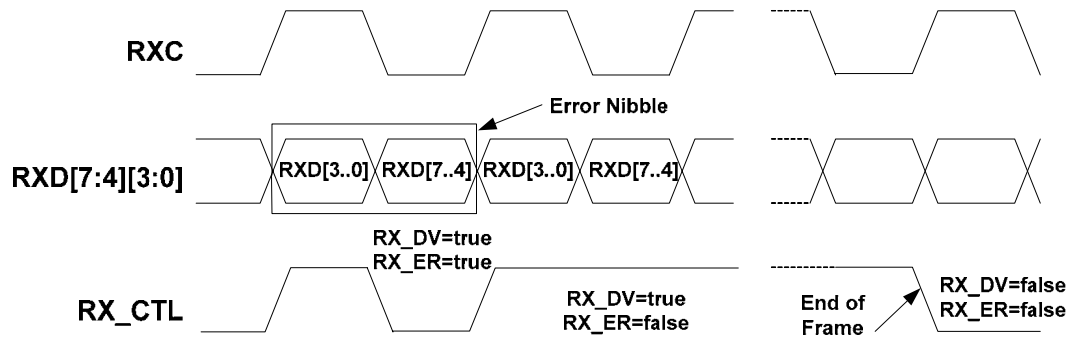
Figure 11. RGMII Data Transmission

Table 21. RX_ER and RX_DV Encoding

RX_CTL	GMIIRX_DV	GMIIRX_ER	Description
0, 0	0	0	Normal Inter-Frame
0, 1	0	1	Carrier Sense
1, 1	1	0	Normal Data Reception
1, 0	1	1	Data Reception Error

Note 1: The MAC is designed to acquire the link status, speed and duplex mode of the PHY via MDC/MDIO polling, so the RTL821 does not implement specific code onto RXD[3..0] to inform MAC of the PHY status during normal inter-frame.

Note 2: In addition to the encoding of RX_DV and RX_ER as indicated in Table 21, a value of 'FF' also exists on the RXD[7..0] simultaneously when the Carrier Sense symbol occurs.


Figure 12. RGMII Data Reception Without Error

Figure 13. RGMII Data Reception With Error

7.2.4. In-Band Status

CRS is indicated where:

- RX_DV is true
- Where RX_DV is false, RX_ER is true, and a value of 'FF' exists on the RXD[7..0] bits simultaneously

Carrier Extend and Carrier Extend Error are not supported by the RTL8212. Collision is determined at the MAC by the assertion of TXEN being true while either CRS or RXDV are true. The PHY will not assert CRS as a result of TXEN being true.

7.2.5. Four RGMII Modes

The RTL8212 supports four different timing modes of operation. Hardware strapping pins TXDLY and RXDLY can be used to select between the four RGMII timing modes. Refer to Table 44, page 49, for RGMII Mode timing.

Each bit adjusts the delay of data with respect to clock edges. For both inputs and outputs of the PHY the data can change either simultaneously with the clock edges, or the data can have setup and hold with respect to clock edges.

Table 22. RGMII Timing Modes

Mode	TXDLY	RXDLY	PHY Input GTXC vs. Data	PHY Output RXC vs. Data
Mode 0	0	0	Meet setup and hold time	Simultaneous with clock edge
Mode 1	0	1	Meet setup and hold time	Meet setup and hold time
Mode 2	1	0	Simultaneous with clock edge	Simultaneous with clock edge
Mode 3	1	1	Simultaneous with clock edge	Meet setup and hold time

7.3. *Reduced Serial GMII (RTL8212N and RTL8211N Only)*

To reduce PCB complexity and IC pin count, Realtek offers a proprietary interface; the Realtek Reduced Serial Gigabit Media Independent Interface (RSGMII). This innovative 2.5Gbps serial interface provides an up to 5 inch long MAC to PHY communication path. The RSGMII can carry the full duplex gigabit Ethernet data streams of two ports simultaneously, and recover clock from the data rather than use a dedicated clock. The RSGMII reduces the interconnection between the gigabit Ethernet PHY and MAC to only 4 pins. Figure 14 depicts the RSGMII interconnection.

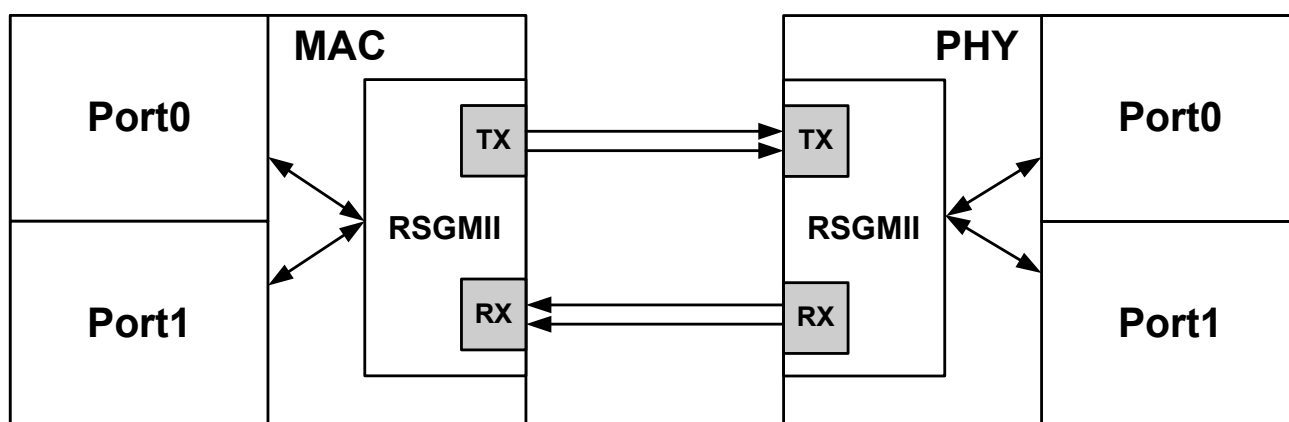


Figure 14. RSGMII Interconnection Diagram

The RSGMII interface runs at 2.5Gbps in 10/100/1000Mbps modes. Clearly, a 2.5Gbps data rate is excessive for interfaces operating at 10/100Mbps. When operating in these conditions, the interface elongates each byte of data by 10 times for 100Mbps, and by 100 times for 10Mbps, through a rate adaptation block.

The data paths and all associated control signals are transmitted from each port and recovered at the receiver side via proprietary transmission encode/decode and Serial/De-serial translation.

Taking the Realtek RTL8369 and RTL8212N as examples (see Figure 15), the RTL8369 contains four RSGMII (4 pairs) and the RTL8212N contains one RSGMII (1 pair). The RTL8369 generates differential SnTX, n=0~3 signals to four RTL8212N's, and receives differential SnRX, n=0~3 signals from four RTL8212N's. Each RSGMII carries two gigabits of Ethernet data from PHY to MAC and MAC to PHY.

In traditional GMII applications, the MAC to PHY interface requires at least 20 pins to carry 1 port's bi-directional gigabit Ethernet traffic. A MAC to PHY RSGMII needs only 4 pins to carry two port's gigabit Ethernet traffic. This greatly improves PCB layout size and complexity in gigabit switch design.

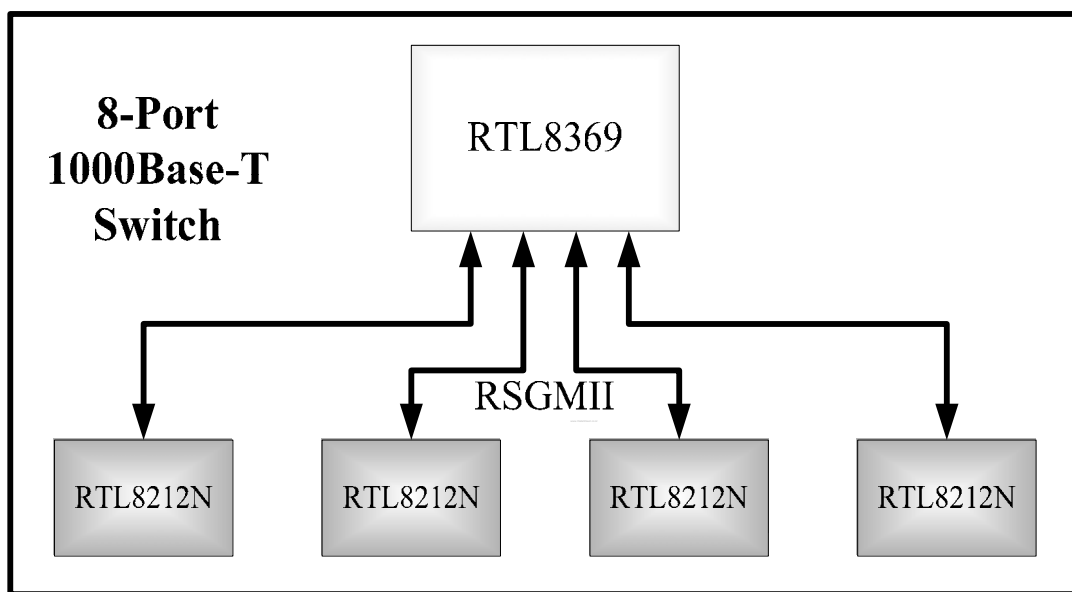


Figure 15. Realtek 8G Switch Application with RSGMII

7.3.1. RSGMII Data Transfer

At the receive side, GMII signals of the two gigabit Ethernet PHY ports enter at 10/100/1000Mbps, clocked at 2.5/25/125MHz. Each port passes these signals through Ethernet PHY receive rate adaptation to output data RXD[7..0] in the 125MHz clock domain. Both RXD are then sent to the individual PCS Transmit State Machine to generate proprietary encoded code-words **A** and **B**. The PHY combines the code-words **A** and **B** generated from the two ports to a code-word **C**, and converts it to a serial (bit by bit) stream for the Ethernet MAC at a 2.5Gbps data rate.

At the transmit side, the PHY de-serializes data to recover the encoded code-word **C**. Next the synchronization block checks the code-word **C** to determine the synchronization status between links, and to realign if it detects a loss of synchronization.

The Ethernet PHY separates the synchronous code-word **C**, into **A** and **B** for each port. Each port's code-word is then recovered to the GMII signal in the 125MHz clock domain by passing through individual PCS Receive State Machines. Both the decoded GMII signals have to pass the PHY Transmit Rate Adaptation block to output data segments according to the port speed. The transmitting and receiving operation flow on the Ethernet MAC side is the same as the Ethernet PHY side. Figure 16 and Figure 17 show the functional block diagram at the PHY and MAC side respectively. They illustrate how the PCS layer is modified and incorporated at the PHY and MAC side within the RSGMII interface.

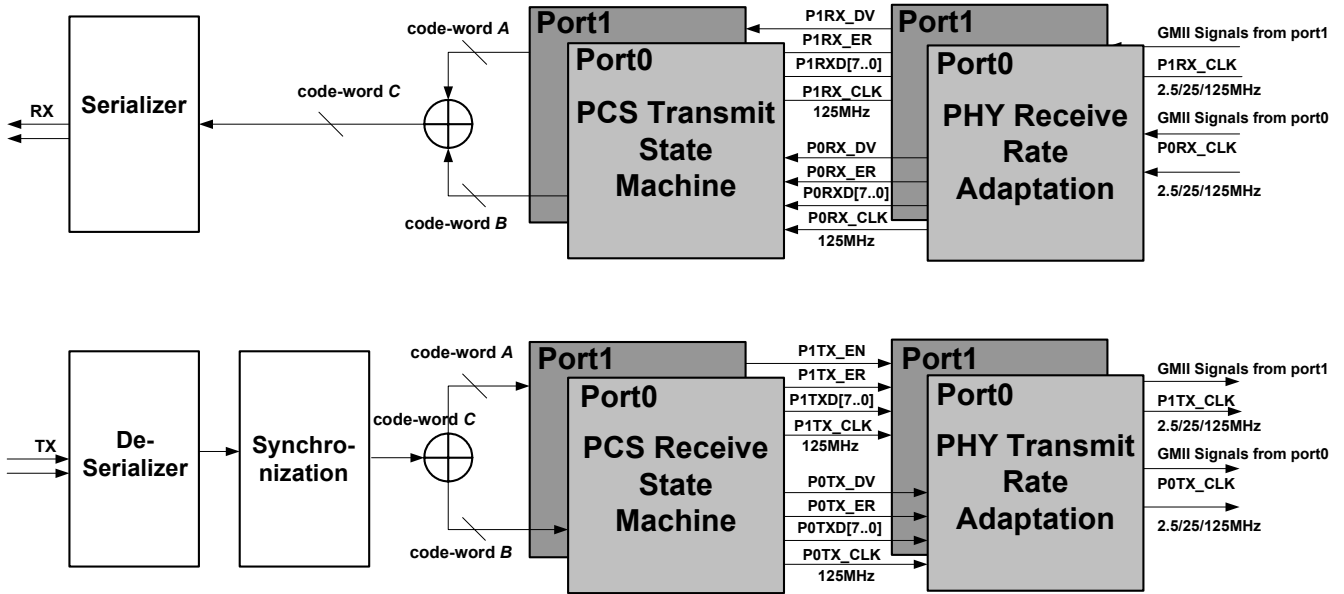


Figure 16. RSGMII Functional Block Diagram at Ethernet PHY Side

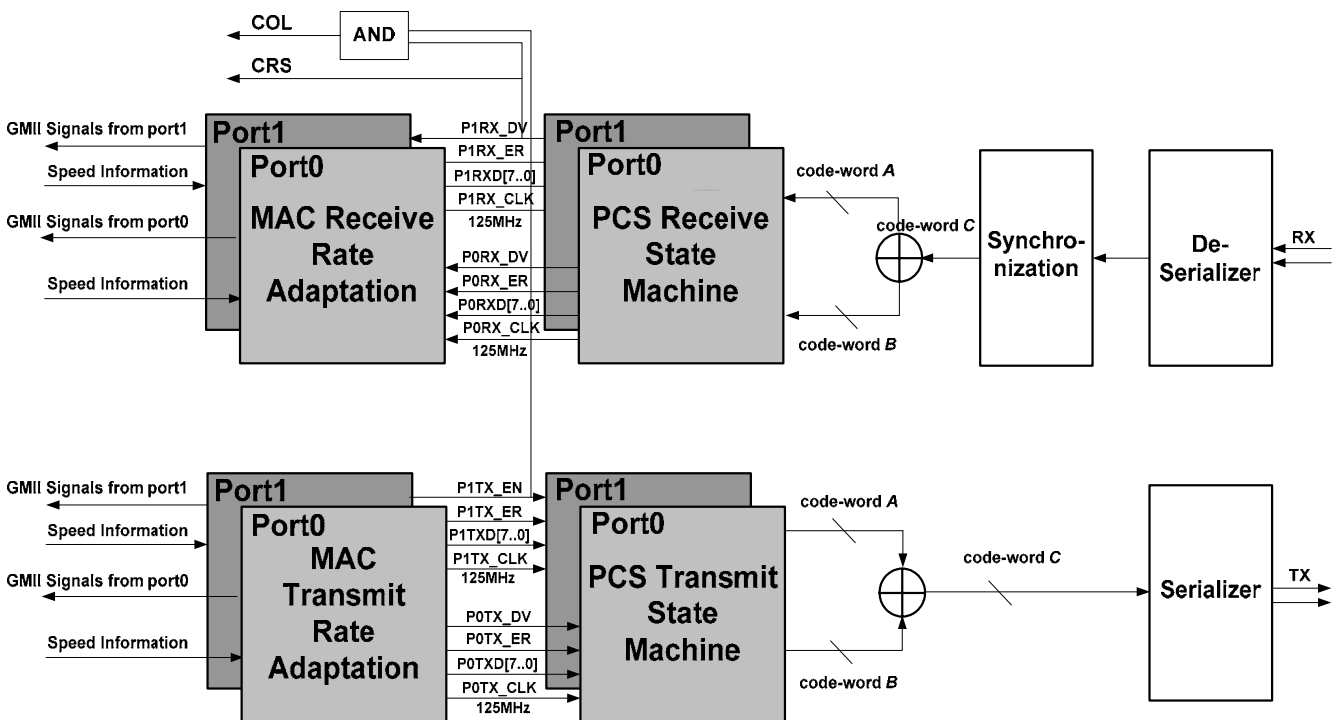


Figure 17. RSGMII Functional Block Diagram at Ethernet MAC Side

7.4. MDC/MDIO Management Interface

The RTL8212/RTL8212N/RTL8211N support the IEEE compliant Management Data Input/Output (MDIO) Interface. This is the only method for the MAC to acquire the PHY statuses. The MII management interface registers are written and read serially, using the MDC/MDIO pins. Data transferred to and from the MDIO pins is synchronized with the MDC clock. All transfers are initiated by the MAC. A clock of up to 2.5MHz must drive the MDC pin of the RTL8212/RTL8212N/RTL8211N.

The MDIO frame structure starts with a 32-bit preamble, which is required by the RTL8212/8211. Following bits include a start-of-frame marker, an op-code, a 10-bit address field, and a 16-bit data field. The address field is divided into two 5-bit segments. The first segment identifies the PHY address and the second identifies the register being accessed.

The four uppermost bits of the 5-bit PHY address are determined by the hardware strapping values during power up. The LSB of the PHY address is '0' for Port0 and '1' for Port1. The MDIO protocol provides both read and write operations. During a write operation, the MAC drives the MDIO line for the entire frame. For a read operation, a turn-around time is inserted in the frame to allow the PHY to drive back to the MAC. The MDIO pin of the MAC must be put in a high-impedance during these bit times. Figure 18 and Figure 19, page 33 depict the MDIO read and write frame format respectively.

7.4.1. Preamble Suppression

The RTL8212/RTL8212N/RTL8211N is permanently programmed for preamble suppression. A preamble of 32 bits is required only for the first read or write. The management preamble may be as short as 1 bit.

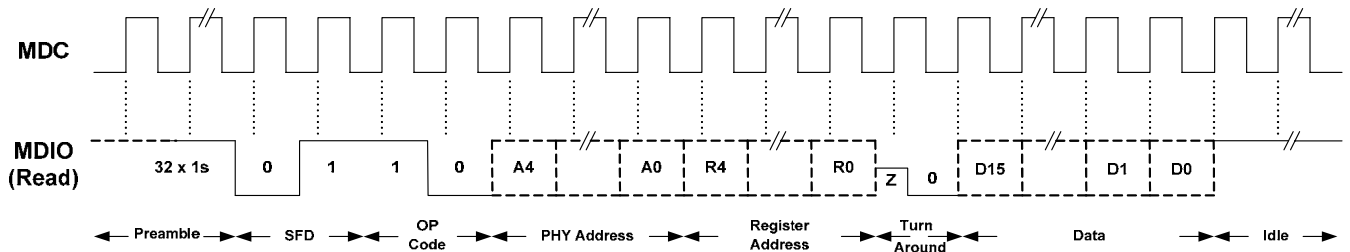


Figure 18. MDIO Read Frame Format

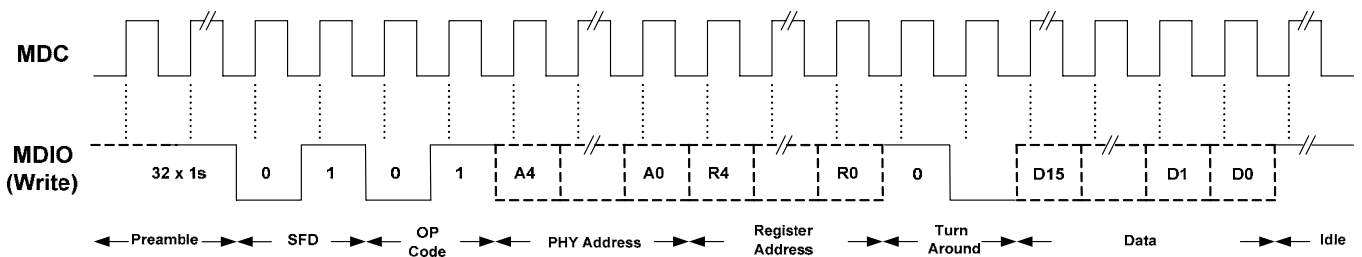


Figure 19. MDIO Write Frame Format

7.5. *Hardware Configuration Interface*

The RTL8212/RTL8212N is a dual-port device. The RTL8211N is a single-port device. Configuration options such as MAC interface, physical address, PHY operating mode are configured by using the configuration pins. These pins are shared with GMII/RGMII receive pins. Except for the PHY operating mode, both ports may be configured independently. Settings are implemented simultaneously after power-on reset. Table 23 shows the configuration definitions.

Table 23. Configuration Pin Definitions

Configuration	Description
INTF_SEL[1:0]	Interface Select: INTF_SEL[1:0] specifies the MAC interface operating mode for both ports. 00: RSGMII 01: MII/GMII 10: RGMII 11: Reserved
PHYADR[4:1]	PHY Address: PHYADR[4:1] sets the uppermost 4 bits of the 5-bit PHY address upon reset. The LSB is '0' for Port 0 and '1' for Port 1.
LEDMODE	Serial LED Mode Select: LEDMODE specifies the serial LED display mode for both ports. There are two LED display modes in the RTL8212/8211. 0: Mode 0 1: Mode 1
GTCLK	GTCLK Clock Delay Select: GTCLK determines the GTCLK input delay in RGMII mode. 0: Output data may change simultaneously with the GTCLK edges 1: Output data can have setup time and hold time with respect to GTCLK edges
RXCLK	RXCLK Clock Delay Select: RXCLK determines the RXCLK output delay in RGMII mode. 0: Output data may change simultaneously with the RXCLK edges 1: Output data can have setup time and hold time with respect to RXCLK edges

7.6. LED Configuration

The RTL8212/RTL8212N/RTL8211N supports serial LED status streams for LED display. The forms of LED status streams are controlled by LEDMODE pins (see Table 24) which are latched upon reset. All LED statuses are represented as active-low.

Table 24. LED Mode

LED Mode	Output Sequences
0	Dup/Col, Link/Act, Spd1000, Spd100
1	Dup/Col, Spd1000/Act, (Spd100,Spd10)/Act

Table 25. LED Status

LED Status	Description
Col/FullDup	Collision, Full duplex Indicator. Blinks every 43ms when collision occurs. Low for full duplex, and high for half duplex mode.
Link/Act	Link, Activity Indicator. Low for link established. Blinks every 43ms when the corresponding port is transmitting or receiving.
Spd1000	1000Mbps Speed Indicator. Low for 1000Mbps.
Spd1000/Act	1000Mbps Speed/Activity Indicator. Low for 1000Mbps. Blinks every 43ms when the corresponding port is transmitting or receiving.
(Spd100,Spd10)/Act	10/100Mbps, Speed/Activity Indicator. Low for 10/100Mbps. Blinks every 43ms when the corresponding port is transmitting or receiving.

7.6.1. LED System Application Examples

- 4 single-color LEDs: Link/Act, Spd1000, Spd100, Dup/Col (set LEDMODE=0)
- 3 single-color LEDs: Link/Act, Spd1000, Spd100 (set LEDMODE=0)
- 2 single-color, 1 bi-color LEDs: Link/Act, Dup/Col, Spd1000/Spd100 (set LEDMODE=0)
- 1 single-color, 1 bi-color LED: Dup/Col, Spd100/Spd10/100/Act (set LEDMODE=1)

7.6.2. Serial Stream Order

Every bit stream is output port by port, from port0 to port1 with Col/FullDup as the first bit in a port stream.

Table 26. Serial Stream Order (Mode 0)

Clock	0	1	2	3	4	5	6	7
Mode 0	Port 0 Dup/Col	Port 0 Link/Act	Port 0 Spd1000	Port 0 Spd100	Port 1 Dup/Col	Port 1 Link/Act	Port 1 Spd1000	Port 1 Spd100
74164 Pin	H	G	F	E	D	C	B	A

Table 27. Serial Stream Order (Mode 1)

Clock	-	-	0	1	2	3	4	5
Mode 1	-	-	Port 0 Dup/Col	Port 0 Spd1000/Act	Port 0 Spd100/Act	Port 1 Dup/Col	Port 1 Spd1000/Act	Port 1 Spd100/Act
74164 Pin	H	G	F	E	D	C	B	A

7.7. System Clock Interface

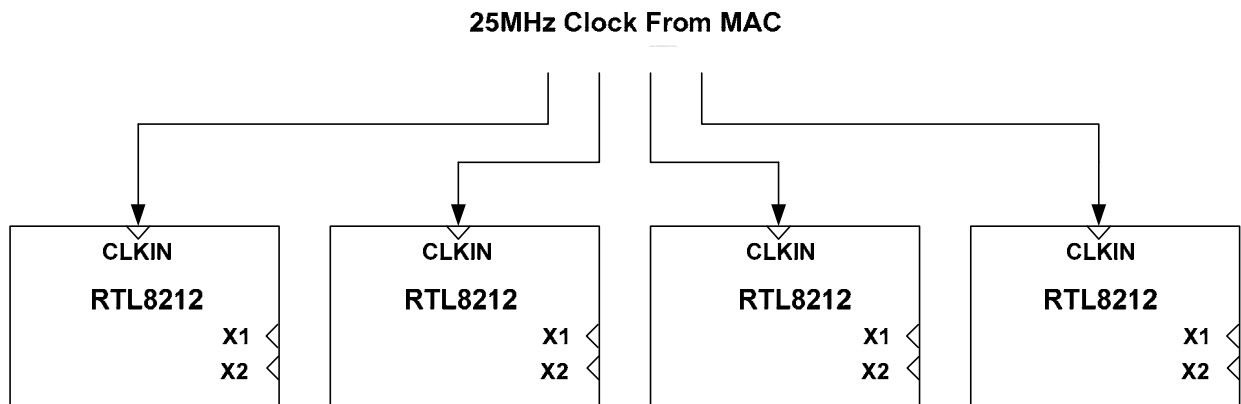


Figure 20. Clock Generated from MAC (RSGMII Mode)

Note: When CLKIN is used, pull the X1 pin low to GND.

7.8. Register Descriptions

The first six registers of the MII are defined by the MII specification. Other registers are defined by Realtek Semiconductor Corp. for internal use and are reserved.

7.8.1. Register Symbols

RO:	Read Only	LH:	Latch High until cleared
RW:	Read/Write	SC:	Self Clearing
LL:	Latch Low until cleared		

7.8.2. MII Specification Defined Registers

Table 28. MII Specification Defined Registers

Register	Description	Default
0	Control Register.	0x1140
1	Status Register.	0x7949
2	PHY Identifier 1 Register.	0x001C
3	PHY Identifier 2 Register.	0xC912
4	Auto-Negotiation Advertisement Register.	0x01E1
5	Auto-Negotiation Link Partner Ability Register.	0x0000
6	Auto-Negotiation Expansion Register.	0x0000
7	Auto-Negotiation Page Transmit Register.	0x2001
8	Auto-Negotiation Link Partner Next Page Register.	0x0000
9	1000Base-T Control Register.	0x0F00
10	1000Base-T Status Register.	0x0000
15	Extended Status.	0x3000

7.8.3. Register0: Control

Table 29. Register0: Control

Bit (s)	Name	Description	Mode	Default
0.15	Reset	1: PHY reset 0: Normal operation This bit is self-clearing.	RW/SC	0
0.14	Loopback	This will loopback TXD to RXD and ignore all activity on the cable media. 1: Enable loopback 0: Normal operation	RW	0
0.13	Speed Selection[0]	[0.6, 0.13] Speed Selection[1:0]. 11: Reserved 10: 1000 Mbps 01: 100 Mbps 00: 10 Mbps <i>Note: The SMI: Serial Management Interface, composed of MDC, MDIO, allows the MAC to manage the PHY.</i>	RW	0
0.12	Auto Negotiation Enable	This bit can be set through SMI (Read/Write). 1: Enable Auto-negotiation process 0: Disable Auto-negotiation process	RW	1
0.11	Power Down	1: Power down. All functions will be disabled except SMI read/write function 0: Normal operation	RW	0
0.10	Isolate	1: Electrically isolates the PHY from MII/GMII/RGMII/RSGMII. PHY is still able to respond to MDC/MDIO 0: Normal operation	RW	0
0.9	Restart Auto Negotiation	1: Restart Auto-Negotiation process 0: Normal operation	RW/SC	0
0.8	Duplex Mode	1: Full duplex operation 0: Half duplex operation When Auto-Negotiation is enabled, this bit reflects the result of Auto-Negotiation (Read Only). When Auto-Negotiation is disabled, this bit can be configured through SMI (Read/Write).	RW	1
0.7	Collision Test	1: Collision test enabled 0: Normal operation When set, this bit will cause the COL signal to be asserted in response to the assertion of TXEN within 512-bit times. The COL signal will be de-asserted within 4-bit times in response to the de-assertion of TXEN.	RO	0
0.6	Speed Selection[1]	See bit 13.	RW	1
0.[5:0]	Reserved	Reserved.	RO	0

7.8.4. Register1: Status

Table 30. Register1: Status

Bit (s)	Name	Description	Mode	Default
1.15	100Base-T4	0: No 100Base-T4 capability The RTL8212/RTL8212N/RTL8211N does not support 100Base-T4 mode. This bit should always be 0.	RO	0
1.14	100Base-X Full Duplex	1: 100Base-X full duplex capable 0: Not 100Base-X full duplex capable	RO	1
1.13	100Base-X Half Duplex	1: 100Base-X half duplex capable 0: Not 100Base-X half duplex capable	RO	1
1.12	10Mbps Full Duplex	1: 10Mbps full duplex capable 0: Not 10Mbps full duplex capable	RO	1
1.11	10Mbps Half Duplex	1: 10Mbps half duplex capable 0: Not 10Mbps half duplex capable	RO	1
1.10	100Base-T2 Full Duplex	0: No 100Base-T2 full duplex capability. The RTL8212/RTL8212N/RTL8211N does not support 100Base-T2 mode. This bit should always be 0.	RO	0
1.9	100Base-T2 Half Duplex	0: No 100Base-T2 half duplex capability The RTL8212/RTL8212N/RTL8211N does not support 100Base-T2 mode. This bit should always be 0.	RO	0
1.8	Extended Status	1: Extended status information in Register 15 The RTL8212/RTL8212N/RTL8211N always supports Extended Status Register.	RO	1
1.7	Reserved	Reserved.	RO	0
1.6	MF Preamble Suppression	The RTL8212/RTL8212N/RTL8211N will accept management frames with preamble suppressed.	RO	1
1.5	Auto-negotiate Complete	1: Auto-negotiation process completed. 0: Auto-negotiation process not completed.	RO	0
1.4	Remote Fault	1: Remote fault indication from link partner has been detected. 0: No remote fault indication detected. This bit will remain set until it is cleared by reading register 1 via management interface.	RO/LH	0
1.3	Auto-Negotiation Ability	1: Auto-negotiation capable (permanently=1) 0: Without Auto-negotiation capability.	RO	1
1.2	Link Status	1: Link has never failed since previous read 0: Link has failed since previous read If link fails, this bit will be set to 0 until bit is read.	RO/LL	0
1.1	Jabber Detect	1: Jabber detected 0: No Jabber detected Jabber is supported only in 10Base-T mode.	RO/LH	0
1.0	Extended Capability	1: Extended register capable. (permanently=1) 0: Not extended register capable	RO	1

7.8.5. Register2: PHY Identifier 1 Register

The PHY Identifier Registers #1 and #2 together form a unique identifier for the PHY section of this device. The Identifier consists of a concatenation of the Organizationally Unique Identifier (OUI), the vendor's model number and the model revision number. A PHY may return a value of zero in each of the 32 bits of the PHY Identifier if desired. The PHY Identifier is intended to support network management.

Table 31. Register2: PHY Identifier 1 Register

Reg. Bit	Name	Description	Mode	Default
2.[15:0]	OUI	Composed of the 3 rd to 18 th bits of the Organizationally Unique Identifier (OUI), respectively.	RO	001C h

7.8.6. Register3: PHY Identifier 2 Register

Table 32. Register3: PHY Identifier 2 Register

Reg. Bit	Name	Description	Mode	Default
3.[15:10]	OUI	Assigned to the 19 th through 24 th bits of the OUI.	RO	110010
3.[9:4]	Model Number	Manufacturer's model number.	RO	010001
3.[3:0]	Revision Number	Manufacturer's revision number.	RO	0010

7.8.7. Register4: Auto-Negotiation Advertisement

This register contains the advertisement abilities of this device as they will be transmitted to its Link Partner during Auto-negotiation.

Table 33. Register4: Auto-Negotiation Advertisement

Reg. Bit	Name	Description	Mode	Default
4.15	Next Page	1: Additional next pages exchange desired 0: No additional next pages exchange desired	RW	0
4.14	Reserved	Permanently=0	RO	0
4.13	Remote Fault	1: Set remote fault bit 0: Do not set remote fault bit	RW	0
4.12	Reserved	For future technology	RW	0
4.11	Asymmetric Pause	1: Advertises that the RTL8212/RTL8212N/RTL8211N has asymmetric flow control capability 0: No asymmetric flow control capability	RW	0
4.10	Pause	1: Advertises that the RTL8212/RTL8212N/RTL8211N has flow control capability. 0: No flow control capability.	RW	0
4.9	100Base-T4	1: 100Base-T4 capable 0: Not 100Base-T4 capable (Permanently=0)	RO	0
4.8	100Base-TX-FD	1: 100Base-TX full duplex capable 0: Not 100Base-TX full duplex capable	RW	1
4.7	100Base-TX	1: 100Base-TX half duplex capable 0: Not 100Base-TX half duplex capable	RW	1
4.6	10Base-T-FD	1: 10Base-TX full duplex capable 0: Not 10Base-TX full duplex capable	RW	1
4.5	10Base-T	1: 10Base-TX half duplex capable 0: Not 10Base-TX half duplex capable	RW	1
4.[4:0]	Selector Field	[00001]=IEEE802.3	RO	00000

Note 1: The setting of Register 4 has no effect unless auto-negotiation is restarted or link down.

Note 2: If 1000Base-T is advertised, then the required next pages are automatically transmitted.

7.8.8. Register5: Auto-Negotiation Link Partner Ability

This register contains the advertised abilities of the Link Partner as received during Auto-negotiation. The content changes after a successful Auto-negotiation.

Table 34. Register5: Auto-Negotiation Link Partner Ability

Reg. Bit	Name	Description	Mode	Default
5.15	Next Page	1: Link partner desires Next Page transfer 0: Link partner does not desire Next Page transfer	RO	0
5.14	Acknowledge	1: Link Partner acknowledges reception of FLP words 0: No acknowledgement by Link Partner	RO	0
5.13	Remote Fault	1: Remote Fault indicated by Link Partner 0: No remote fault indicated by Link Partner	RO	0
5.12	Reserved	Reserved.	RO	0
5.11	Asymmetric Pause	1: Asymmetric Flow control supported by Link Partner 0: No Asymmetric flow control supported by Link Partner When auto-negotiation is enabled, this bit reflects Link Partner ability. (Read only).	RW	0
5.10	Pause	1: Flow control supported by Link Partner 0: No flow control supported by Link Partner When auto-negotiation is enabled, this bit reflects Link Partner ability. (Read only)	RO	0
5.9	100Base-T4	1: 100Base-T4 supported by Link Partner 0: 100Base-T4 not supported by Link Partner	RO	0
5.8	100Base-TX-FD	1: 100Base-TX full duplex supported by Link Partner 0: 100Base-TX full duplex not supported by Link Partner	RO	0
5.7	100Base-TX	1: 100Base-TX half duplex supported by Link Partner 0: 100Base-TX half duplex not supported by Link Partner	RO	0
5.6	10Base-T-FD	1: 10Base-TX full duplex supported by Link Partner 0: 10Base-TX full duplex not supported by Link Partner	RO	0
5.5	10Base-T	1: 10Base-TX half duplex supported by Link Partner 0: 10Base-TX half duplex not supported by Link Partner	RO	0
5.[4:0]	Selector Field	[00001]=IEEE802.3 [00000]=No Information from Link Partner	RO	00000

7.8.9. Register6: Auto-Negotiation Expansion

Table 35. Register6: Auto-Negotiation Expansion

Reg. Bit	Name	Description	Mode	Default
6.[15:5]	Reserved	Reserved.	RO	0
6.4	Parallel Detection Fault	1: A fault has been detected via the Parallel Detection function 0: No fault has been detected via the Parallel Detection function	RO	0
6.3	Link Partner Next Page Ability	1: Link Partner is Next Page able 0: Link Partner is not Next Page able	RO	0
6.2	Local Next Page Ability	1: RTL8212/RTL8212N/RTL8211N is Next Page able (permanently=1)	RO	1
6.1	Page Received	1: A New Page has been received 0: A New Page has not been received	RO/LH	0
6.0	Link Partner Auto-Negotiation Ability	If Auto-Negotiation is enabled, this bit means: 1: Link Partner is Auto-Negotiation able 0: Link Partner is not Auto-Negotiation able	RO	0

7.8.10. Register7: Auto-Negotiation Page Transmit Register

Table 36. Register7: Auto-Negotiation Page Transmit Register

Reg. Bit	Name	Description	Mode	Default
7.15	Next Page	1: Another next page desired 0: No next page to send	RW	0
7.14	Reserved	Reserved.	RO	0
7.13	Message Page	1: Message page	RW	1
7.12	Acknowledge 2	1: Local device has the ability to comply with the message received 0: Local device has no ability to comply with the message received	RW	0
7.11	Toggle	Toggle bit.	RO	0
7.[10:0]	Message/Unformatted Field	Content of message/unformatted page.	RW	0x001

7.8.11. Register8: Auto-Negotiation Link Partner Next Page Register

Table 37. Register8: Auto-Negotiation Link Partner Next Page Register

Reg. Bit	Name	Description	Mode	Default
8.15	Next Page	Received link code word bit 15.	RO	0
8.14	Acknowledge	Received link code word bit 14.	RO	0
8.13	Message Page	Received link code word bit 13.	RO	0
8.12	Acknowledge 2	Received link code word bit 12.	RO	0
8.11	Toggle	Received link code word bit 11.	RO	0
8.[10:0]	Message/Unformatted Field	Received link code word bit 10:0.	RO	0x000

7.8.12. Register9: 1000Base-T Control Register

Table 38. Register9: 1000Base-T Control Register

Reg. Bit	Name	Description	Mode	Default
9.[15:13]	Test Mode	Test Mode Select. 000: Normal mode 001: Test mode 1 – Transmit waveform test 010: Test mode 2 – Transmit jitter test in MASTER mode 011: Test mode 3 – Transmit jitter test in SLAVE mode 100: Test mode 4 – Transmitter distortion test 101, 110, 111: Reserved	RW	000
9.12	MASTER/SLAVE Manual Configuration Enable	1: Enable MASTER/SLAVE manual configuration 0: Disable MASTER/SLAVE manual configuration	RW	0
9.11	MASTER/SLAVE Configuration Value	1: Configure PHY as MASTER during MASTER/SLAVE negotiation, only when 9.12 is set to logical one 0: Configure PHY as SLAVE during MASTER/SLAVE negotiation, only when 9.12 is set to logical one	RW	1
9.10	Port Type	1: Multi-port device 0: Single-port device	RW	1
9.9	1000Base-T Full Duplex	1: Advertise PHY is 1000Base-T full duplex capable 0: Advertise PHY is not 1000Base-T full duplex capable	RW	1
9.8	1000Base-T Half Duplex	1: Advertise PHY is 1000Base-T half duplex capable 0: Advertise PHY is not 1000Base-T half duplex capable	RW	0
9.[7:0]	Reserved	Reserved.	RW	0

7.8.13. Register10: 1000Base-T Status Register

Table 39. Register10: 1000Base-T Status Register

Reg. Bit	Name	Description	Mode	Default
10.15	MASTER/SLAVE Configuration Fault	1: MASTER/SLAVE configuration fault detected 0: No MASTER/SLAVE configuration fault detected	RO	0
10.14	MASTER/SLAVE Configuration Fault Resolution	1: Local PHY configuration resolved to MASTER 0: Local PHY configuration resolved to SLAVE	RO	0
10.13	Local Receiver Status	1: Local receiver OK 0: Local receiver not OK	RO	0
10.12	Remote Receiver Status	1: Remote receiver OK 0: Remote receiver not OK	RO	0
10.11	Link Partner 1000Base-T Full Duplex	1: Link partner is capable of 1000Base-T full duplex 0: Link partner is not capable of 1000Base-T full duplex	RO	0
10.10	Link Partner 1000Base-T Half Duplex	1: Link partner is capable of 1000Base-T half duplex 0: Link partner is not capable of 1000Base-T half duplex	RO	0
10.[9:8]	Reserved	Reserved	RO	0
10.[7:0]	Idle Error Count	Idle Error Counter. The counter stops automatically when it reaches 0xFF	RO	0

7.8.14. Register15: Extended Status

Table 40. Register15: Extended Status

Reg. Bit	Name	Description	Mode	Default
15.15	1000Base-X Full Duplex	0: 1000Base-X full duplex not capable	RO	0
15.14	1000Base-X Half Duplex	0: 1000Base-X half duplex not capable	RO	0
15.13	1000Base-T Full Duplex	1: 1000Base-T full duplex capable	RO	1
15.12	1000Base-T Half Duplex	0: 1000Base-T half duplex not capable	RO	0
15.[11:0]	Reserved	Reserved.	RO	0

8. Characteristics

8.1. Absolute Maximum Ratings

WARNING: Absolute maximum ratings are limits beyond which permanent damage may be caused to the device, or device reliability may be affected. All voltages are specified reference to GND unless otherwise specified.

Table 41. Absolute Maximum Ratings

Parameter	Min	Max	Units
Storage Temperature	-10	+125	°C
Supply Voltage Referenced to VSS12 ,AVSS, AVSSPLL: VDD12, AVDD12, SVDD12 and AVDDPLL	GND-0.5	+1.32	V
Supply Voltage Referenced to AVSS: AVDD18 and SVDD18	GND-0.5	+1.98	V
Supply Voltage Referenced to AVSS: AVDD33 and RVDD33	GND-0.5	+3.63	V
Digital Input Voltage	GND-0.5	VDDD	V
DC Output Voltage	GND-0.5	VDDD	V

8.2. Operating Range

Table 42. Operating Range

Parameter	Min	Max	Units
Ambient Operating Temperature (Ta)	0	+70	°C
1.2V VDDD, VDDA, and VDDIO Supply Voltage Range	1.14	1.26	V
1.8V VDDD, VDDA, and VDDIO Supply Voltage Range	1.71	1.89	V
3.3V VDDIO Supply Voltage Range	3.14	3.46	V

8.3. DC Characteristics

Table 43. DC Characteristics

Parameter	SYM	Condition	Min	Typical	Max	Units
Power Supply Current for Analog 1.2V	I _{cc}	10Base-T, Idle	40	45	50	mA
		10Base-T, Peak continuous 100% utilization	40	45	50	
		100Base-TX, Idle	40	45	50	
		100Base-TX, Peak continuous 100% utilization	40	45	50	
		1000Base-T, Idle	40	45	50	
		1000Base-T, Peak continuous 100% utilization	40	45	50	
		Power saving	40	45	50	
Power Supply Current for Digital 1.2V	I _{cc}	10Base-T, Idle	15	20	30	mA
		10Base-T, Peak continuous 100% utilization	15	20	30	
		100Base-TX, Idle	105	110	120	
		100Base-TX, Peak continuous 100% utilization	105	110	120	
		1000Base-T, Idle	450	460	480	
		1000Base-T, Peak continuous 100% utilization	470	480	500	
		Power saving	15	20	30	
Power Supply Current for Analog 1.8V	I _{cc}	10Base-T, Idle	5	10	15	mA
		10Base-T, Peak continuous 100% utilization	5	10	15	
		100Base-TX, Idle	90	100	110	
		100Base-TX, Peak continuous 100% utilization	90	100	110	
		1000Base-T, Idle	190	200	210	
		1000Base-T, Peak continuous 100% utilization	190	200	210	
		Power saving	5	10	15	
Power Supply Current for Analog 3.3V	I _{cc}	10Base-T, Idle	60	70	80	mA
		10Base-T, Peak continuous 100% utilization	230	240	250	
		100Base-TX, Idle	50	60	70	
		100Base-TX, Peak continuous 100% utilization	50	60	70	
		1000Base-T, Idle	110	120	150	
		1000Base-T, Peak continuous 100% utilization	110	120	150	
		Power saving	40	50	60	
Total Power Consumption for all ports	PS	10Base-T, Idle	273	327	387	mW
		10Base-T, Peak continuous 100% utilization	834	888	948	
		100Base-TX, Idle	393	456	525	
		100Base-TX, Peak continuous 100% utilization	501	564	633	
		1000Base-T, Idle	1293	1362	1509	
		1000Base-T, Peak continuous 100% utilization	1317	1386	1533	
		Power saving	207	261	321	
TTL Input High Voltage	V _{ih}	-	2.0	-	-	V
TTL Input Low Voltage	V _{il}	-	-	-	0.8	V
TTL Input Current	I _{in}	-	-10	-	10	μA
TTL Input Capacitance	C _{in}	-	-	3	-	pF
Output High Voltage	V _{oh}	-	2.2	-	2.8	V
Output Low Voltage	V _{ol}	-	0.0	-	0.4	V
Output Three State Leakage Current	I _{oz}	-	-	-	10	μA

8.4. AC Characteristics

8.4.1. MII Interface Data Timing

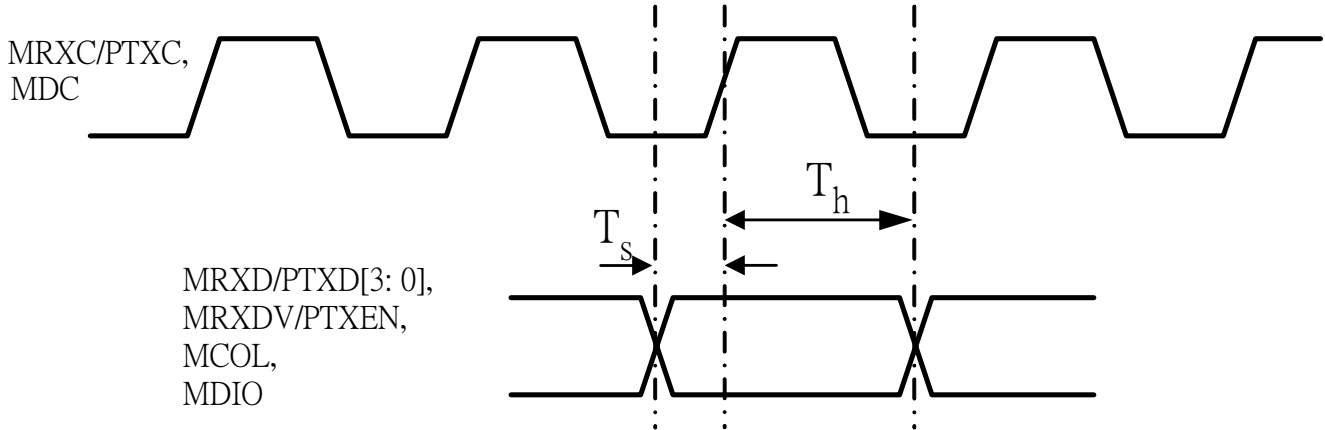


Figure 21. MII Interface Reception Data Timing

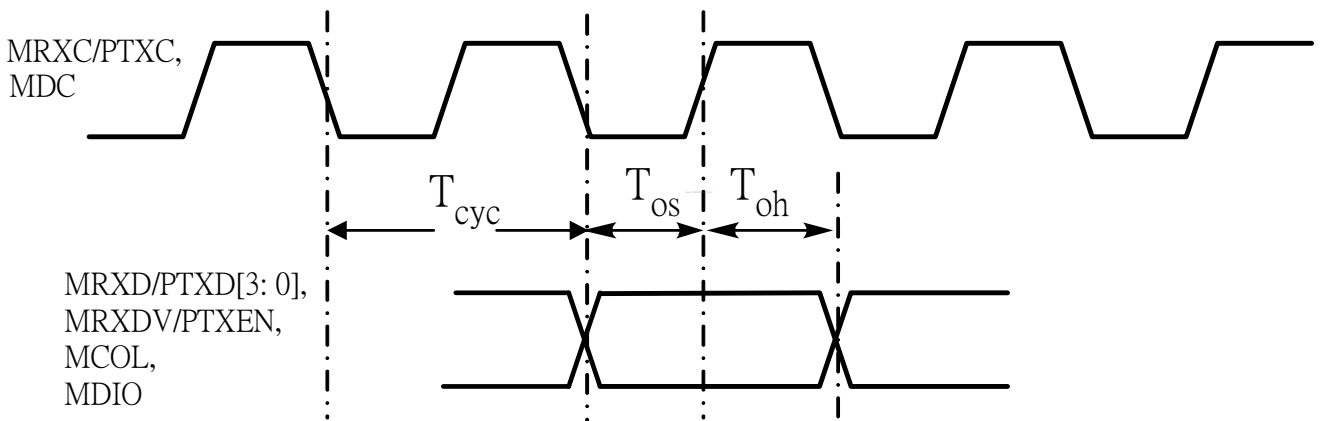


Figure 22. MII Interface Transmission Data Timing

8.4.2. Digital Timing Characteristics

Table 44. Digital Timing Characteristics

Parameter	SYM	Condition	I/O	Min	Typ	Max	Units
MII Mode Timing							
100BaseT RXC, TXC	T _{cyc}	RXC, TXC Clock Cycle time	O	-	40±50 ppm	-	ns
10BaseT RXC, TXC,	T _{cyc}	RXC, TXC Clock Cycle time	O	-	400±50 ppm	-	ns
RXD[3:0], RXDV, PCOL, Output Setup Time	T _{os}	Output Setup Time from RXC Rising Edge to RXD[3:0], RXDV, COL	O	21	23	25	ns
RXD[3:0], RXDV, COL, Output Hold Time	T _{oh}	Output Hold Time from RXC Rising Edge to RXD[3:0], RXDV, COL	O	13	15	18	ns
TXD[3:0], TXEN, Setup Time	T _s	TXD[3:0], TXEN to TXC Rising Edge Setup Time	I	4	-	-	ns
TXD[3:0], TXEN, Hold Time	T _h	TXD[3:0], TXEN to TXC Rising Edge Hold Time	I	2	-	-	ns
GMII Mode Timing							
GTXC Cycle Time	T _{cyc}	GTXC Clock Cycle Time	I	-	8	-	ns
GTXC Time High/Low	T _{H/L}	GTXC Time High/Low	I	-	4	-	ns
GTXC Rise/Fall Time	T _{R/F}	GTXC Rise/Fall Time	I	-	-	1	ns
TXEN, TXD Setup to GTXC Rising	T _{Setup}	TXEN, TXD Setup Time to GTXC Rising Edge	I	2.5	-	-	ns
TXEN, TXD Hold from GTXC Rising	T _{Hold}	TXEN, TXD Hold Time from GTXC Rising Edge.	I	0.5	-	-	ns
RXC	T _{cyc}	RXC Clock Cycle Time	O	-	8	-	ns
RXC Time High/Low	T _{H/L}	RXC Time High/Low	O	-	4	-	ns
RXC Rise/Fall Time	T _{R/F}	RXC Rise/Fall Time	I	-	-	1	ns
RXD[7:0],RXDV, COL Output Setup Time	T _{os}	Output Setup Time from RXC Rising Edge to RXD[0..7], RXDV, COL	O	2.5	6	-	ns
RXD[7:0], RXDV, COL Output Hold Time	T _{oh}	Output Hold Time from RXC Rising Edge to RXD[0..7], RXDV, COL	O	0.75	1.2	-	ns
RGMII Mode Timing							
RXC	T _{cyc}	RXC Clock Cycle Time	O	-	8	-	ns
Data to Clock Output Skew	T _{skew}	Data to Clock Output Skew	-	-500	0	500	ps
RXD[3:0],RXCTL Output Setup Time (When RXDLY=1)	T _{os}	Output Setup Time from RXC Rising/Falling Edge to RXD[0..3], RXCTL	O	1.35	1.6	1.8	ns
RXD[3:0], RXCTL Output Hold Time (When RXDLY=1)	T _{oh}	Output Hold Time from RXC Rising/Falling Edge to RXD[0..3], RXCTL	O	2.2	2.4	2.7	ns
RGMII Signal Rising Time	T _r	RGMII Signals 20% to 80% Rising Time	O	-	-	0.75	ns
RGMII Signal Rising Time	T _f	RGMII Signals 80% to 20% Falling Time	O	-	-	0.75	ns
LED Timing							
LED On Time	tLED on	While LED Blinking	0	-	43	-	ms

8.5. Thermal Characteristics

Thermal parameters are defined according to JEDEC standard JESD 51-2, 51-6:

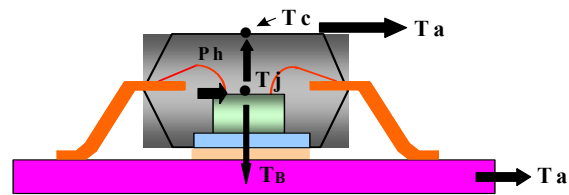
(1) θ_{ja} (Theta JA, thermal resistance from junction to ambient), represents resistance to heat flow from the chip to ambient air. This is an index of heat dissipation capability. A lower θ_{ja} means better thermal performance.

$$\theta_{ja} = (T_j - T_a) / P_h$$

T_j is the junction temperature

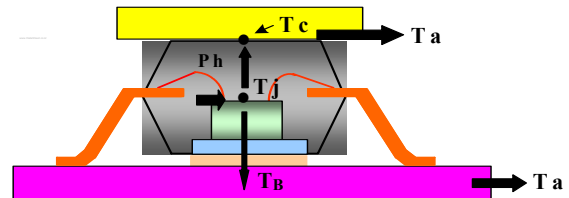
T_a is the ambient temperature

P_h is the power dissipation



(2) Ψ_{jt} (Psi JT, thermal Characterization Parameter: Junction to package top), represents the correlation between the temperature of the chip and the package top, $\Psi_{jt} = (T_j - T_c) / P_h$, where T_j is the junction temperature.

(3) θ_{jc} (Theta JC, Junction to case thermal resistance), defined as: $\theta_{jc} = (T_j - T_c) / P_h$



Attach a block with constant temperature onto the package.

8.5.1. QFN-76 Thermal Parameters

Table 45. QFN-76 Thermal Parameters

Parameter	SYM	Condition	Air Flow 0 M/S	Air Flow 1 M/S	Air Flow 2 M/S	Units
Junction to Ambient Thermal Resistance	θ_{ja}	4 layer FR4 PCB	26.3	23.0	22.1	°C/W
Junction to Top Thermal Characterization	Ψ_{jt}	4 layer FR4 PCB	3.7	-	-	°C/W
Junction to Case Thermal Resistance	θ_{jc}	4 layer FR4 PCB	11	-	-	°C/W

8.5.2. QFN-76 Thermal Operating Range

Table 46. QFN-76 Thermal Operating Range

Parameter	SYM	Condition	Min	Typ	Max	Units
Junction Operating Temperature	T_j	-	0		125	°C
Ambient Operating Temperature	T_a	4-layer FR4 PCB (without heat sink)	0	25	70	°C

Note: PCB conditions. Dimensions: 3" x 4.5". Thickness: 1.6mm.

8.5.3. DHS-QFP-128 Thermal Parameters

Table 47. DHS-QFP-128 Thermal Parameters

Parameter	SYM	Condition	Air Flow 0 M/S	Air Flow 1 M/S	Air Flow 2 M/S	Units
Junction to Ambient Thermal Resistance	θ_{ja}	4 layer FR4 PCB	26.3	23	21.7	°C/W
Junction to Top Thermal Characterization	Ψ_{jt}	4 layer FR4 PCB	4.1	-	-	°C/W
Junction to Case Thermal Resistance	θ_{jc}	4 layer FR4 PCB	12.5	-	-	°C/W

8.5.4. DHS-QFP-128 Thermal Operating Range

Table 48. DHS-QFP-128 Thermal Operating Range

Parameter	SYM	Condition	Min	Typ	Max	Units
Junction Operating Temperature	T_j	-	0	-	125	°C
Ambient Operating Temperature	T_a	4-layer FR4 PCB (without heat sink)	0	25	70	°C

Note: PCB conditions. Dimensions: 3.5" x 4". Thickness: 1.6mm.

9. Design and Layout Guide

In order to achieve maximum performance using the RTL8212/RTL8212N/RTL8211N, good design attention is required throughout the design and layout process. The following are some recommendations on how to implement a high performance system.

9.1. General Guidelines

- Provide a good power source, minimizing noise from switching power supply circuits (<100mV).
- Verify the ability of critical components, e.g. clock source and transformer, to meet application requirements.
- Use bulk capacitors (4.7 μ F-10 μ F) between the power and ground planes.
- Use 0.1 μ F de-coupling capacitors to reduce high-frequency noise on the power and ground planes.
- Keep de-coupling capacitors as close as possible to the RTL8212/RTL8212N/RTL8211N (within 200 mil).
- The transformer should be placed as close as possible to the RTL8212/RTL8212N/RTL8211N (within 12cm).
- The RJ-45 phone jack should be placed as close as possible to the transformer.
- Prevent right angles on all traces.

9.2. MII/GMII/RGMII Signal Layout Guidelines

- Keep inter-trace spacing with 3 times of trace width, to reduce crosstalk (for example, if the width of the signal trace is 6 mil, the inter-trace spacing should be 18 mil or more).
- For traces longer than 5 inches, guard traces should be placed between signal traces. The guard traces should have many vias to GND.
- Place source termination resistors near output pins.
- Route the RGMII traces at 50 ohms impedance. Match each RGMII TX and RX group to within 25 mils.

9.3. RSGMII Signal Layout Guidelines

- Ensure the differential pairs maintain 100 ohm impedance:
(5/7/5 for 4 Layer PCB: Trace width 5 mil, inter-pair spacing 7 mil, dielectric layer thickness 4.4 mil)
(9/6/9 for 2 Layer PCB: Trace width 9 mil, inter-pair spacing 6 mil, dielectric layer thickness 59 mil)
- Separate the differential pair and other signals by at least 30mil.
- Keep intra-pair length mismatch less than 5mil.
- Place AC coupling capacitors near output pins of differential pairs.
- Route both traces of differential pairs symmetrically.
- Avoid vias on differential pairs.

9.4. Ethernet MDI Differential Signal Layout Guidelines

- Ensure the differential pairs maintain 100 ohm impedance and route both traces as identically as possible.
- Keep intra-pair length mismatch less than 50mil (from the IC to the transformer and from the transformer to the RJ-45).
- Avoid vias on differential pairs.
- Maintain a 30 mil minimum gap between differential pairs.

9.5. Clock Circuit

- The clock should be 25M \pm 50ppm with jitter less than 0.5ns.
- If possible, surround the clock by ground trace to minimize high-frequency emissions.

9.6. Power Planes

- Divide the power plane into 1.2V digital, 1.2V analog, 1.8V analog and 3.3V analog.
- Use 0.1 μ F decoupling capacitors and bulk capacitors between each power plane and ground plane.

9.7. Ground Plane

- Keep the system ground region as one continuous, unbroken plane that extends from the primary side of the transformer to the rest of the board.
- Isolate the AVSS pin of the RTL8212/RTL8212N/RTL8211N (Pin 46, 48 on the QFN-76, and Pin 84, 86 on the DHS-QFP-128) with system ground via beads.
- Place a moat (gap) between the system ground and chassis ground.
- Ensure the chassis ground area is voided at some point such that no ground loop exists on the chassis ground area.

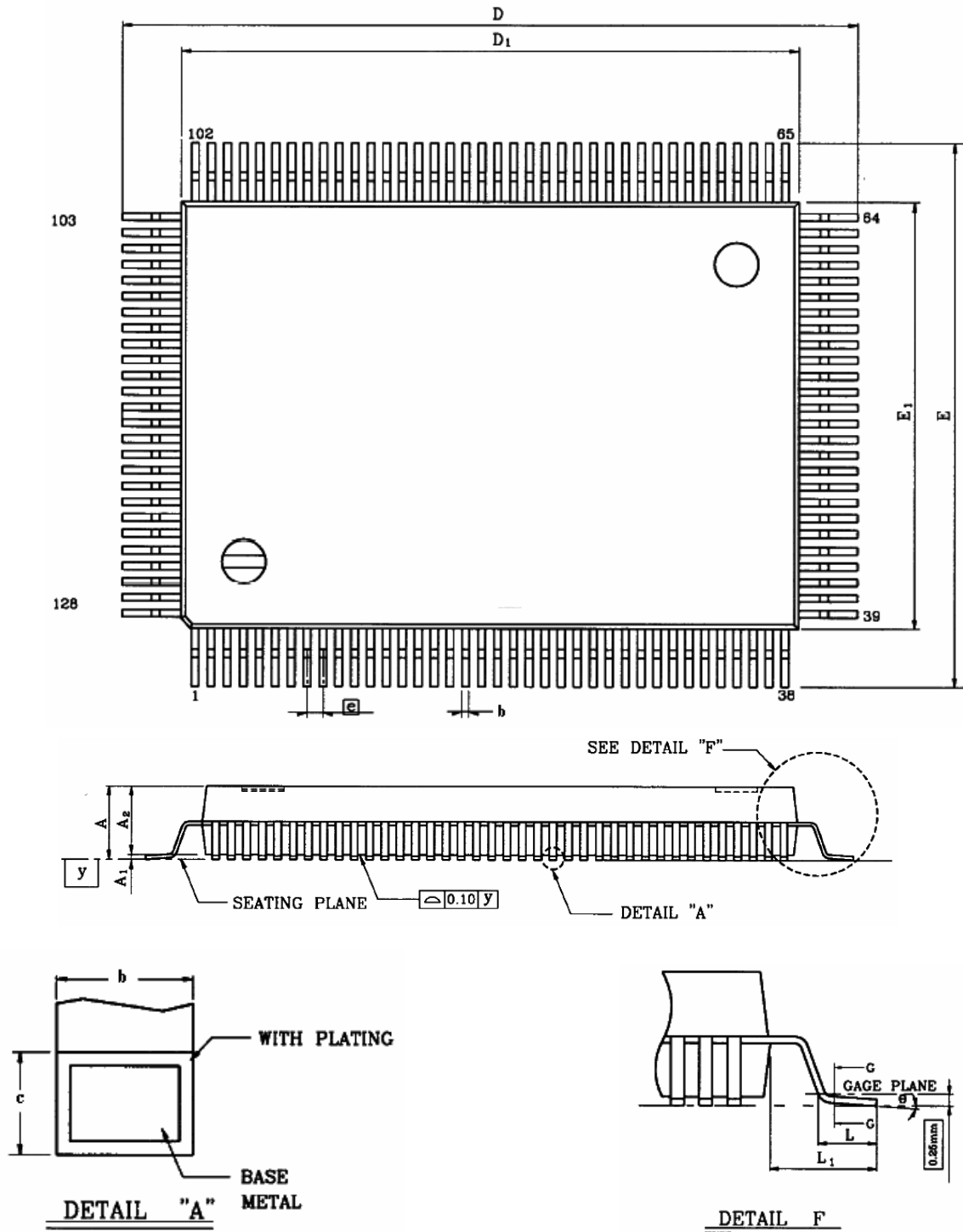
9.8. Transformer Options

The RTL8212/RTL8212N/RTL8211N uses a transformer with a 1:1 turn ratio. There are many vendors offering transformer designs that meet the RTL8212/RTL8212N/RTL8211N's requirements, e.g., Pulse H5014, Bothhand GS5014R, and LANKom LG-4803-1(R) for the RTL8212/RTL8212N.

Pulse H5004 and Bothhand 24HST1041-2 for the RTL8211N.

10. Mechanical Dimensions

10.1. DHS-QFP-128 Dimensions (RTL8212)



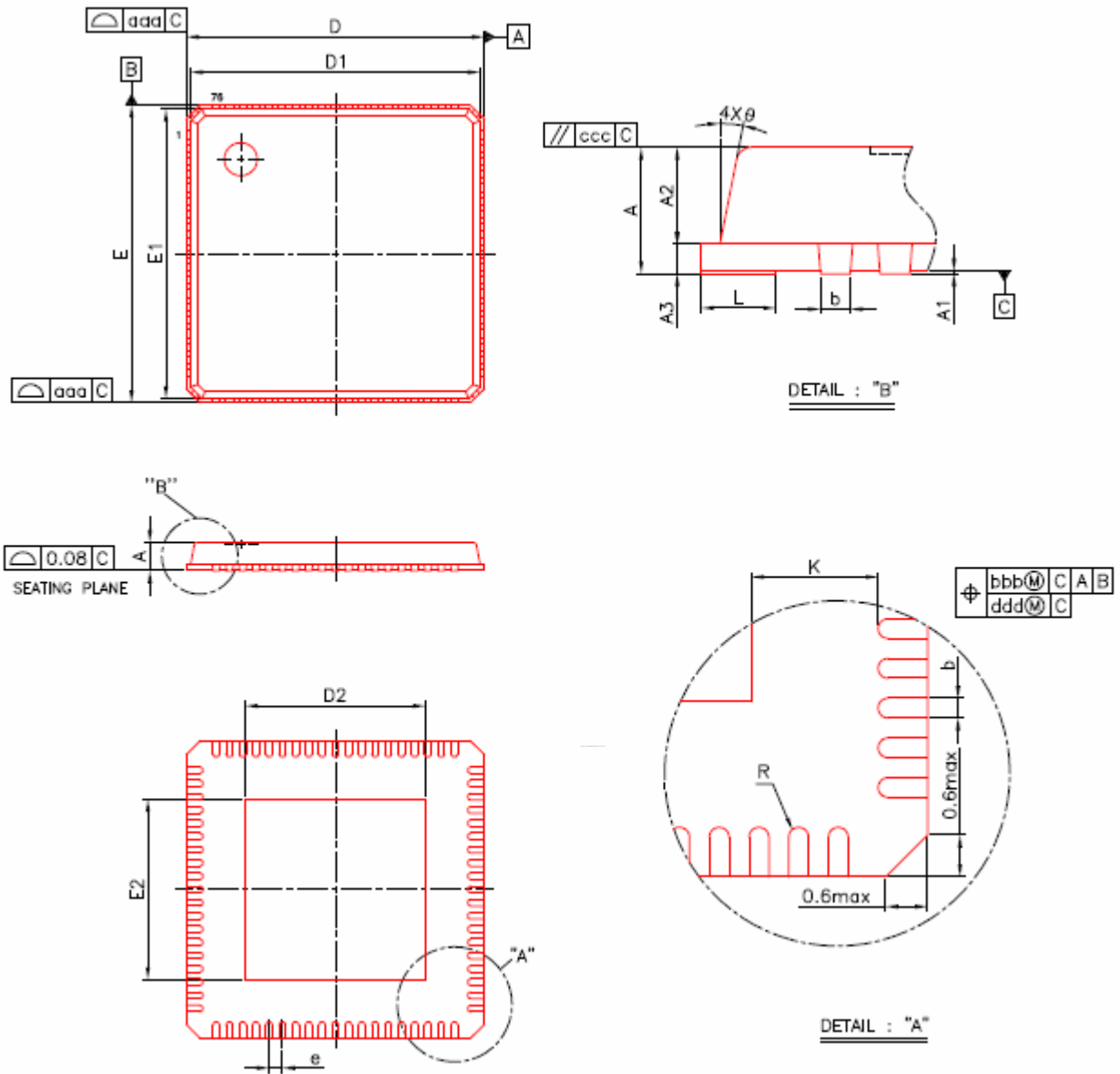
10.2. Notes For DHS-QFP-128 Dimensions (RTL8212)

Symbol	Dimension in Millimeter			Dimension in Inch		
	Min	Nom	Max	Min	Nom	Max
A	—	—	3.40	—	—	0.134
A ₁	0.25	—	—	0.010	—	—
A ₂	2.50	2.72	2.97	0.101	0.107	0.117
b	0.10	0.20	0.30	0.004	0.008	0.012
c	0.09	—	0.23	0.004	—	0.008
D	23.2BSC			0.913BSC		
D ₁	20.00BSC			0.787BSC		
E	17.20BSC			0.677BSC		
E ₁	14.00BSC			0.551BSC		
e	0.5BSC			0.20BSC		
L	0.65	0.88	1.03	0.026	0.035	0.041
L ₁	1.60BSC			0.063BSC		
y	—	—	0.10	—	—	0.004
θ	0°	—	12°	0°	—	12°

Notes 1: Dimensions D₁ and E₁ Do not include mold protrusion.

Notes 2: Controlling dimension: Millimeter (mm).

10.3. QFN-76 Dimensions (RTL8211N & RTL8212N)



See the Mechanical Dimensions notes on the next page.

10.4. Notes For QFN-76 Dimensions (RTL8211N & RTL8212N)

Symbol	Dimension in mm			Dimension in inch		
	MIN	NOM	MAX	MIN	NOM	MAX
A	0.80	0.85	0.90	0.031	0.033	0.035
A1	0.00	0.02	0.05	0.000	0.001	0.002
A2	----	0.65	0.70	----	0.026	0.028
A3	0.20 REF			0.008 REF		
b	0.15	0.20	0.25	0.006	0.008	0.010
D	9.00 BSC			0.354 BSC		
D1	8.75 BSC			0.344 BSC		
D2	5.30	5.45	5.60	0.209	0.215	0.220
E	9.00 BSC			0.354 BSC		
E	8.75 BSC			0.344 BSC		
E2	5.30	5.45	5.60	0.209	0.215	0.220
e	0.40 BSC			0.016 BSC		
L	0.40	0.50	0.60	0.016	0.020	0.024
θ	0°	----	12°	0°	----	12°
R	0.065	----	----	0.003	----	----
K	0.20	----	----	0.008	----	----
aaa	----	----	0.15	----	----	0.006
bbb	----	----	0.10	----	----	0.004
ccc	----	----	0.10	----	----	0.004
ddd	----	----	0.05	----	----	0.002
chamfer	----	----	0.60	----	----	0.024

NOTE:

1. CONTROLLING DIMENSION : MILLIMETER
2. REFERENGE DOCUMENT: PROPSED JEDEC MO-220.

11. Ordering Information

Table 49. Ordering Information

Part Number	Package	Status
RTL8212-GR	DHS-QFP-128 in 'Green' package	Production
RTL8212N-GR	QFN-76 in 'Green' package	Production
RTL8211N-GR	QFN-76 in 'Green' package	Production

Note: See page 5, 6, and 7 for package identification information.

Realtek Semiconductor Corp.

Headquarters

No. 2, Innovation Road II

Hsinchu Science Park, Hsinchu 300, Taiwan

Tel.: +886-3-578-0211. Fax: +886-3-577-6047

www.realtek.com.tw