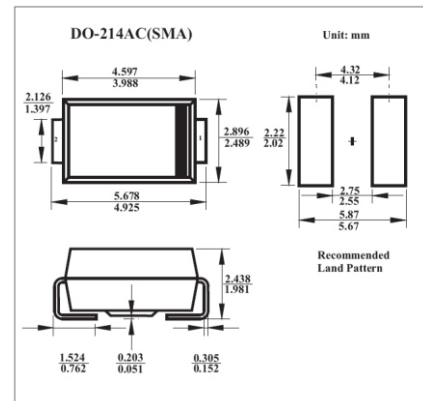


# GS1A ~ GS1M

## ■ Features

- For surface mounted applications
- Low profile package
- Built-in strain relief
- Easy pick and place
- Plastic package has Underwriters Laboratory Flammability Classification 94V-O



## ■ Maximum Ratings And Electrical Characteristics at 25°C

Parameter	Symbol	GS1A	GS1B	GS1D	GS1G	GS1J	GS1K	GS1M	Unit
Maximum Recurrent Peak Reverse Voltage	V <sub>RRM</sub>	50	100	200	400	600	800	1000	V
Maximum RMS Voltage	V <sub>RMS</sub>	35	70	140	280	420	560	700	
Maximum DC Blocking Voltage	V <sub>DC</sub>	50	100	200	400	600	800	100	
Maximum Average Forward Rectified Current, at T <sub>L</sub> =75°C	I(AV)	1.0							A
Peak Forward Surge Current 8.3ms single half sine-wave superimposed on rated load (JEDEC method)	I <sub>FSM</sub>	30.0							A
Maximum Instantaneous Forward Voltage at 1.0A	V <sub>F</sub>	1.10							V
Maximum DC Reverse Current T <sub>A</sub> =25°C at Rated DC Blocking Voltage T <sub>A</sub> =125°C	I <sub>R</sub>	5.0 200							μ A
Maximum Reverse Recovery Time(Note 1) T <sub>J</sub> =25°C	T <sub>RR</sub>	2.5							μ s
Typical Junction Capacitance (Note 2)	C <sub>J</sub>	15							pF
Maximum Thermal Resistance(Note 3) R <sub>θ JA</sub>	R <sub>θ JA</sub>	30							°C/W
Operating and Storage Temperature Range	T <sub>J</sub> , T <sub>STG</sub>	-65 to +150							°C

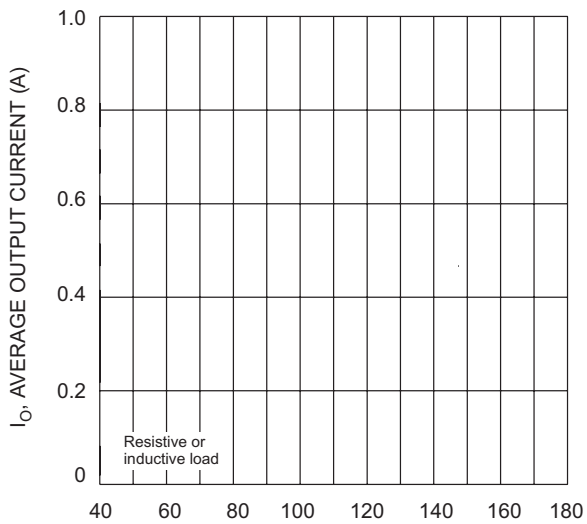
Note 1. Reverse Recovery Test Conditions: I<sub>F</sub>=0.5A, I<sub>R</sub>=1.0A, I<sub>rr</sub>=0.25A

2. Measured at 1 MHz and applied V<sub>r</sub> = 4.0 V.

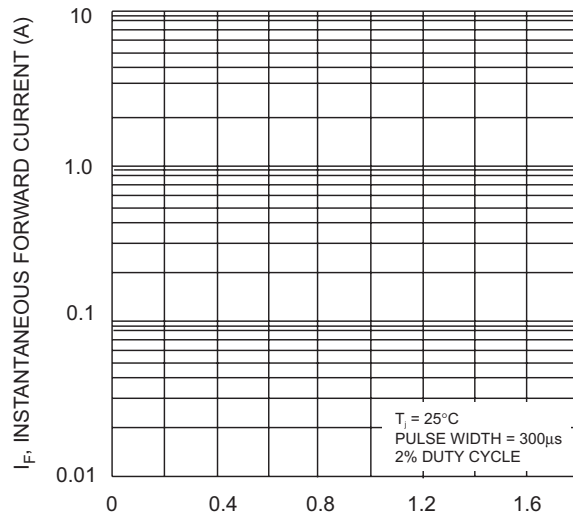
3. 8.0 mm<sup>2</sup> ( .013mm thick ) land areas.

GS1A ~ GS1M

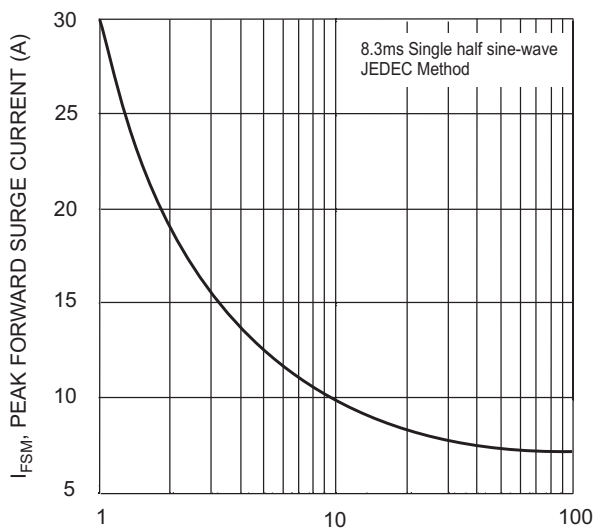
■ Typical Characteristics



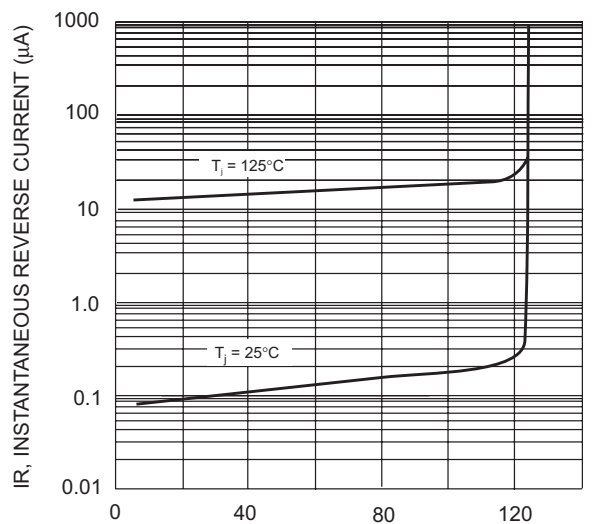
$T_L$ , LEAD TEMPERATURE ( °C )  
Fig. 1 Forward Current Derating Curve



$V_F$ , INSTANTANEOUS FORWARD VOLTAGE (V)  
Fig. 2 Typical Forward Characteristics



NUMBER OF CYCLES @ 60Hz  
Fig. 3 Max Non-Repetitive Peak Fwd Surge Current



PERCENT OF RATED PEAK REVERSE VOLTAGE (%)  
Fig. 4 Typical Reverse Characteristics