

# General Specifications

Toggles

Rockers  
B

Pushbuttons

Illuminated PB

Programmable

Keylocks

Rotaries

Slides

Tactiles

Tilt

Touch

Indicators

Accessories

Supplement

## Electrical Capacity (Resistive Load)

**Power Level:** 9A @ 125V AC or 6A @ 250V AC

## Other Ratings

**Contact Resistance:** 20 milliohms maximum

**Insulation Resistance:** 500 megohms minimum @ 500V DC

**Dielectric Strength:** 1,500V AC minimum between contacts for 1 minute minimum;  
3,000V AC minimum between contacts & case for 1 minute minimum

**Mechanical Life:** 30,000 operations minimum

**Electrical Life:** 10,000 operations minimum

**Nominal Operating Force:** Single Pole 4.50N; Double Pole 10.0N

**Angle of Throw:** 33°

## Materials & Finishes

**Rocker:** Polycarbonate

**Housing:** Polyamide

**Movable Contactor:** Beryllium copper with silver plating

**Movable Contacts:** Silver alloy

**Stationary Contacts:** Silver alloy

**Switch Terminals:** Brass with silver plating

**Lamp Terminals:** Brass with silver plating

## Environmental Data

**Operating Temp Range:** -10°C through +50°C (+14°F through +122°F)

**Humidity:** 90 ~ 95% humidity for 96 hours @ 40°C (104°F)

**Vibration:** 10 ~ 55Hz with peak-to-peak amplitude of 1.5mm traversing the frequency range & returning in 1 minute; 3 right angled directions for 2 hours

**Shock:** 50G (490m/s<sup>2</sup>) acceleration (tested in 6 right angled directions, with 5 shocks in each direction)

## Installation

**Soldering Time & Temp:** Manual Soldering: See Profile A in Supplement section.

## Standards & Certifications

**UL:** File No. E44145

All models recognized at 9A @ 125V AC & 6A @ 250V AC.  
cULus marking on case is standard.

# Distinctive Characteristics

Full face, bright LED illumination in choice of red, amber, or green for visible status indication.

9-amp or 6-amp electrical capacity in compact body.

Interior shield prevents contamination of the rocker by carbon from arcing.

Front panel, snap-in mounting assures labor-saving installation.

Single-break, snap-acting contact mechanism gives smooth actuation and audible feedback.

Quick-make, quick-break characteristic limits arcing and prolongs electrical life.

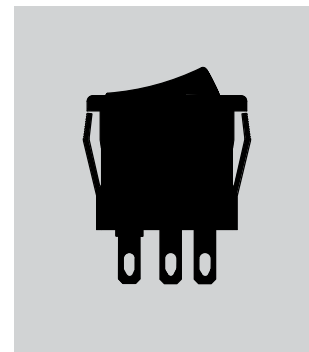
Stable stationary contact construction for high reliability.

Offset terminal alignment gives outstanding insulation resistance and dielectric strength.

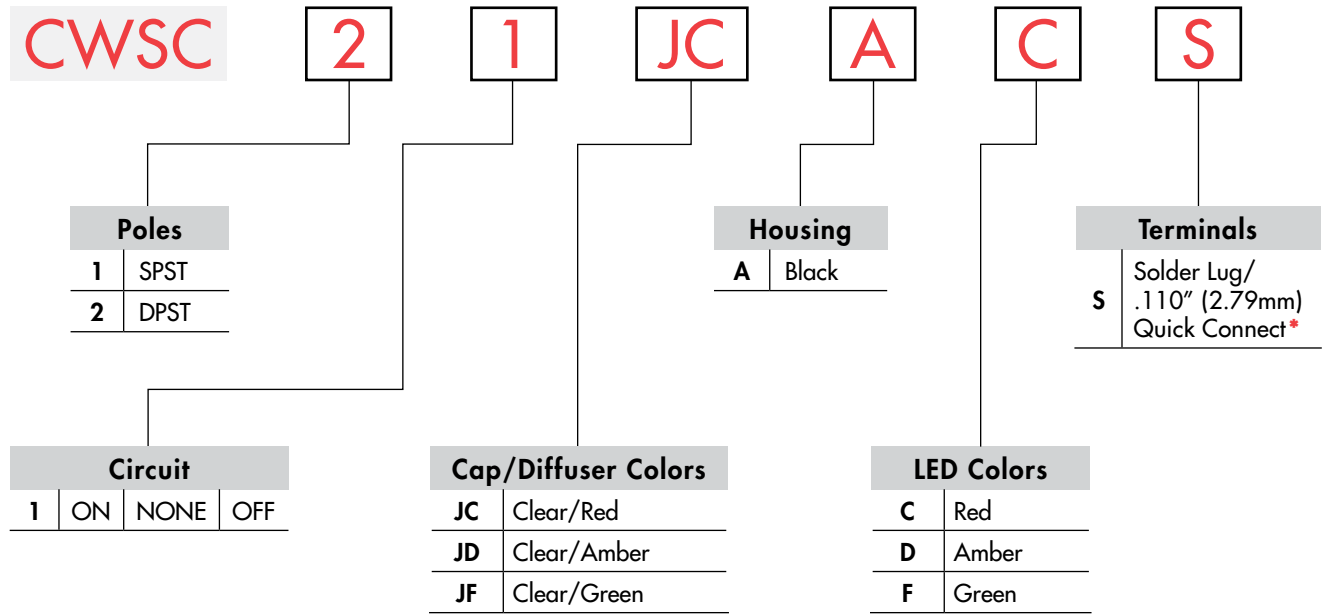
Solder lug/.110" quick connect terminals can be used with connectors.



Actual Size



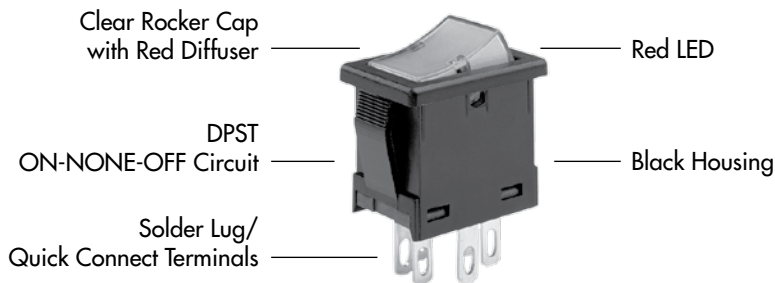
### TYPICAL SWITCH ORDERING EXAMPLE



\* Wire harness & cable assemblies offered only in Americas

### TYPICAL ORDERING EXAMPLE

**CWSC21JCACS**



### IMPORTANT:



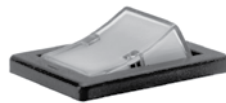
Switches are supplied with cULus marking on case. Specific models & ratings noted on General Specifications page.

POLE & CIRCUITS								
Pole	Model	Rocker Position			Connected Terminals			Throw & Switch/Lamp Schematics
		Down	Center	Up	Down	Center	Up	Notes: Terminal numbers and polarity are actually on the switch.
SP	CWSC11	ON	NONE	OFF	1-1a	OPEN	OPEN	SPST
DP	CWSC21	ON	NONE	OFF	1-1a 2-2a	OPEN	OPEN	DPST

## CAP TYPES & COLORS

### Rocker Cap/Diffuser

Caps are factory assembled and are not available separately.



### Cap/Diffuser Colors Available

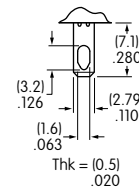
- JC** Clear/Red
- JD** Clear/Amber
- JF** Clear/Green

## HOUSING      TERMINALS

**A** Black Housing with Snap-in Mounting

**S** Solder Lug/.110" (2.79mm) Quick Connect

On Off (I O) symbols are molded on the bezel.



## LED SPECIFICATIONS & COLORS

The LED is factory assembled and not available separately. LED circuit is isolated and requires an external power source. Polarity marks are on the bottom of the switch.

The electrical specifications shown are determined at a basic temperature of 25°C.

If the source voltage exceeds the rated voltage, a ballast resistor is required. The resistor value can be calculated by using the formula in the Supplement.

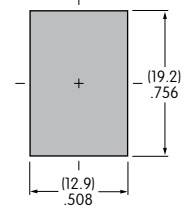
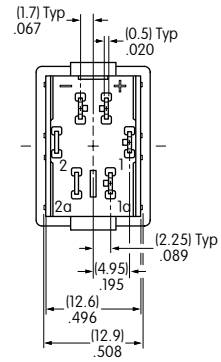
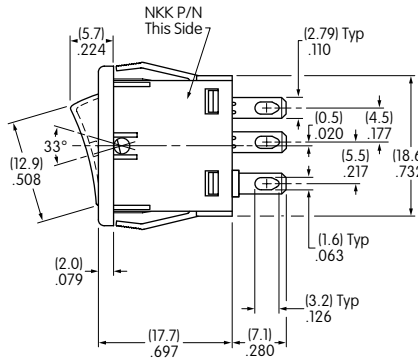
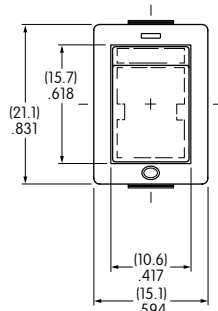
		<b>C</b> Red	<b>D</b> Amber	<b>F</b> Green
Forward Peak Current	$I_{FM}$	30mA	30mA	30mA
Continuous Forward Current	$I_F$	20mA	20mA	20mA
Forward Voltage	$V_F$	1.95V	2.0V	2.1V
Reverse Peak Voltage	$V_{RM}$	5V	5V	5V
Current Reduction Rate above 25°C	$\Delta I_F$	0.41mA/°C	0.29mA/°C	0.39mA/°C
Ambient Temperature Range		-10°C ~ +50°C		

Toggles  
 Rockers  
 Pushbuttons  
 Illuminated PB  
 Programmable  
 Keylocks  
 Rotaries  
 Slides  
 Tactiles  
 Tilt  
 Touch  
 Indicators  
 Accessories  
 Supplement

## TYPICAL SWITCH DIMENSIONS

### LED Illuminated

### Single Pole

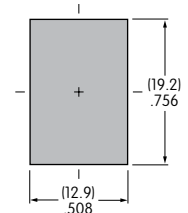
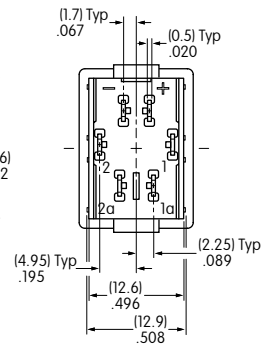
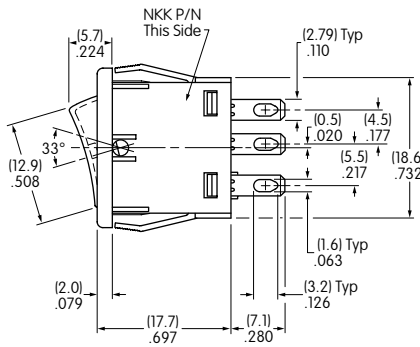
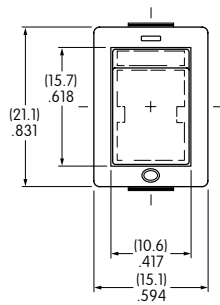


**CWSC11JCACS**

Panel Thickness  
.030" ~ .079"  
(0.75mm ~ 2.0mm)

### LED Illuminated

### Double Pole



**CWSC21JCACS**

Panel Thickness  
.030" ~ .079"  
(0.75mm ~ 2.0mm)

Toggle

Rockers  
B

Pushbuttons

Illuminated PB

Programmable

Keylocks

Rotaries

Slides

Tactiles

Tilt

Touch

Indicators

Accessories

Supplement