

PLEASE CHECK WWW.MOLEX.COM FOR LATEST PART INFORMATION

Part Number: [0945407004](#)
Status: **Active**
Description: 5.00mm (.197") Pitch, Wire-to-Wire, Wire-to-Tab, Receptacle, Natural, 4 Circuits

Documents:

[Drawing \(PDF\)](#) [RoHS Certificate of Compliance \(PDF\)](#)
[Product Specification PS-94540-001 \(PDF\)](#)

General

Product Family Crimp Housings
 Series [94540](#)
 Product Name N/A

Physical

Breakaway No
 Circuits (maximum) 4
 Color - Resin Natural
 Gender Female
 Glow-Wire Compliant No
 Material - Resin Nylon
 Number of Rows 1
 Packaging Type Bag
 Panel Mount No
 Pitch - Mating Interface (in) 0.197 In
 Pitch - Mating Interface (mm) 5.00 mm
 Pitch - Term. Interface (in) 0.197 In
 Pitch - Term. Interface (mm) 5.00 mm
 Polarized to Mating Part Yes
 Ports 1
 Stackable No
 Temperature Range - Operating -40°C to +85°C

Material Info

Reference - Drawing Numbers

Product Specification PS-94540-001
 Sales Drawing SD-94540-003

EU RoHS

**ELV and RoHS
 Compliant**
**REACH SVHC
 Contains SVHC: No**
**Halogen-Free
 Status**

China RoHS



Not Reviewed

**Need more information on product
 environmental compliance?**

Email productcompliance@molex.com
 For a multiple part number RoHS Certificate of
 Compliance, [click here](#)

Please visit the [Contact Us](#) section for any
 non-product compliance questions.

Search Parts in this Series

[94540Series](#)

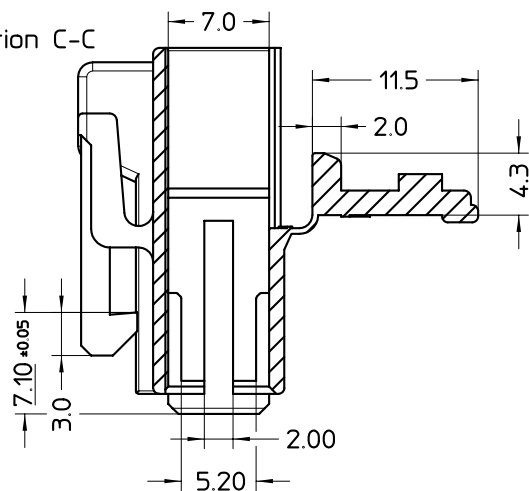
Mates With

[94213 Header](#)

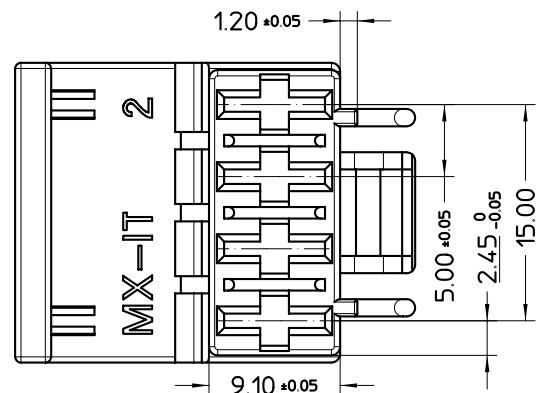
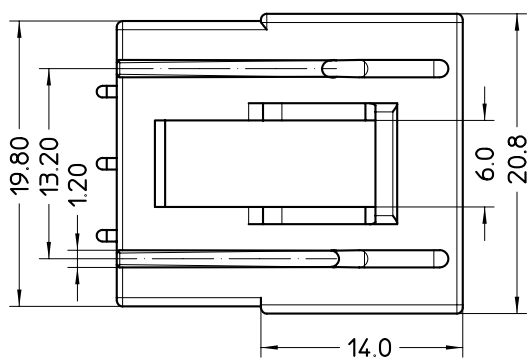
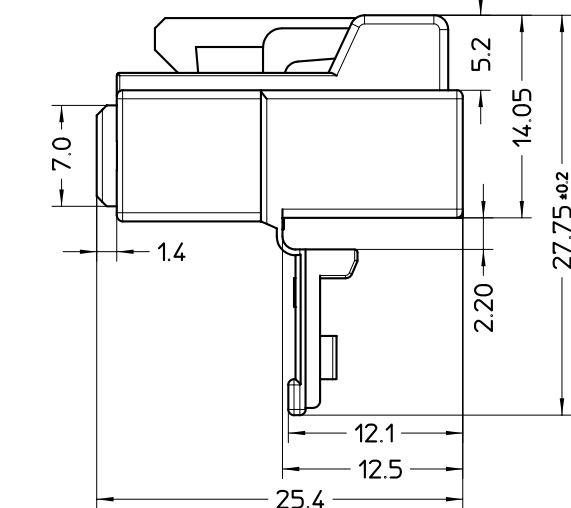
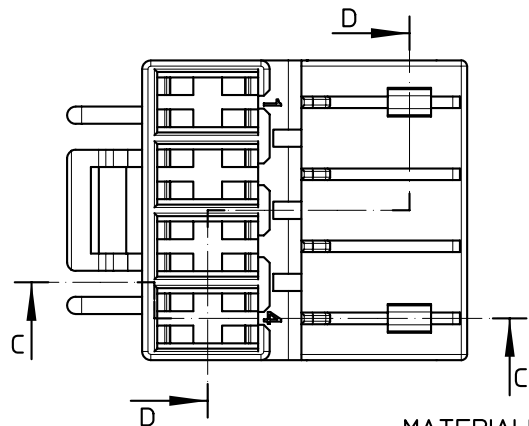
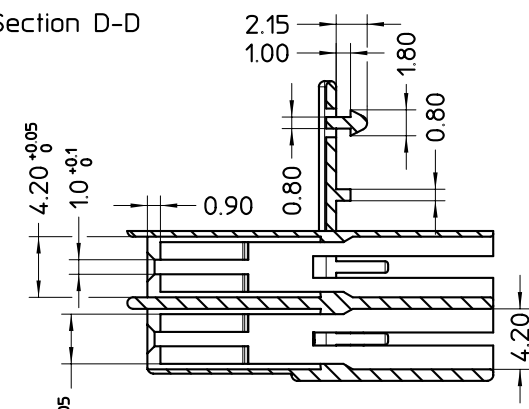
Use With

[94518 Terminal](#)

Section C-C

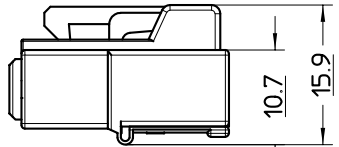


Section D-D



MATERIALE: NYLON 6.6 V2 (colori come tab.)
 MATERIAL: NYLON 6.6 V2 (colors see table)
 IMBALLO: scatola con sacchetto di nylon.
 PACKAGING: Box with plastic bag.

SPQ: 4000 pz.



P/N	COLORE / COLOR
94540-7004	naturale / natural
94540-7014	nero / black

Descr. Std: FEM HOUSING W/LATCH+SEC LOCK 4 CKT

EC NO: Z2001-0099 DRWN: FGOTTARD 2001/05/11 CHKD: MTESTAGU 2001/05/11 APPR: GZUIN 2001/05/15	QUALITY SYMBOLS ▽ = 0 ∠ = 0	GENERAL TOLERANCES (UNLESS SPECIFIED)		SCALE 3:1	DESIGN UNITS METRIC	FIRST ANGLE PROJECTION	REVISE ON CAD ONLY	
			mm	INCH	DIMENSION STYLE MM ONLY		TITLE	
		4 PLACES	± ---	± ---	DRAWN BY FGOTTARD	DATE 99-10-15	HOUSING 4 VIE C/AGGANCI HOUSING W/LATCH 4 CKT	
		3 PLACES	± ---	± ---	CHECKED BY MTESTAGU	DATE 99-10-15	MOLEX INCORPORATED	
2 PLACES	± 0.10	± ---	ANGULAR ± 2 °		DRAFT WHERE APPLICABLE	MATERIAL NO. SEE CHART	DOCUMENT NO. SD-94540-003	
1 PLACE	± 0.2	± ---	MUST REMAIN WITHIN DIMENSIONS		APPROVED BY GZUIN	DATE 99-10-15	SHEET NO. 1 OF 1	
REV A1				THIS DRAWING CONTAINS INFORMATION THAT IS PROPRIETARY TO MOLEX INCORPORATED AND SHOULD NOT BE USED WITHOUT WRITTEN PERMISSION				A3