

MICRO SWITCH

FREEPORT, ILLINOIS, U S A
A DIVISION OF HONEYWELL
FED. MFG. CODE 91929

SWITCH-TOGGLE

CATALOG LISTING
2TL5 SERIES

CHART 1

CATALOG LISTING

KEYWAY SIDE (1-2,4-5)	CIRCUIT MADE WITH TOGGLE LEVER IN	
	CENTER (1-2,4-5)	OPPOSITE KEYWAY (2-3,5-6)

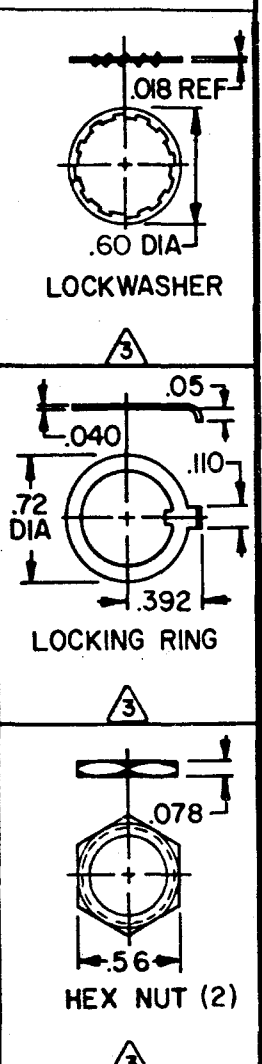
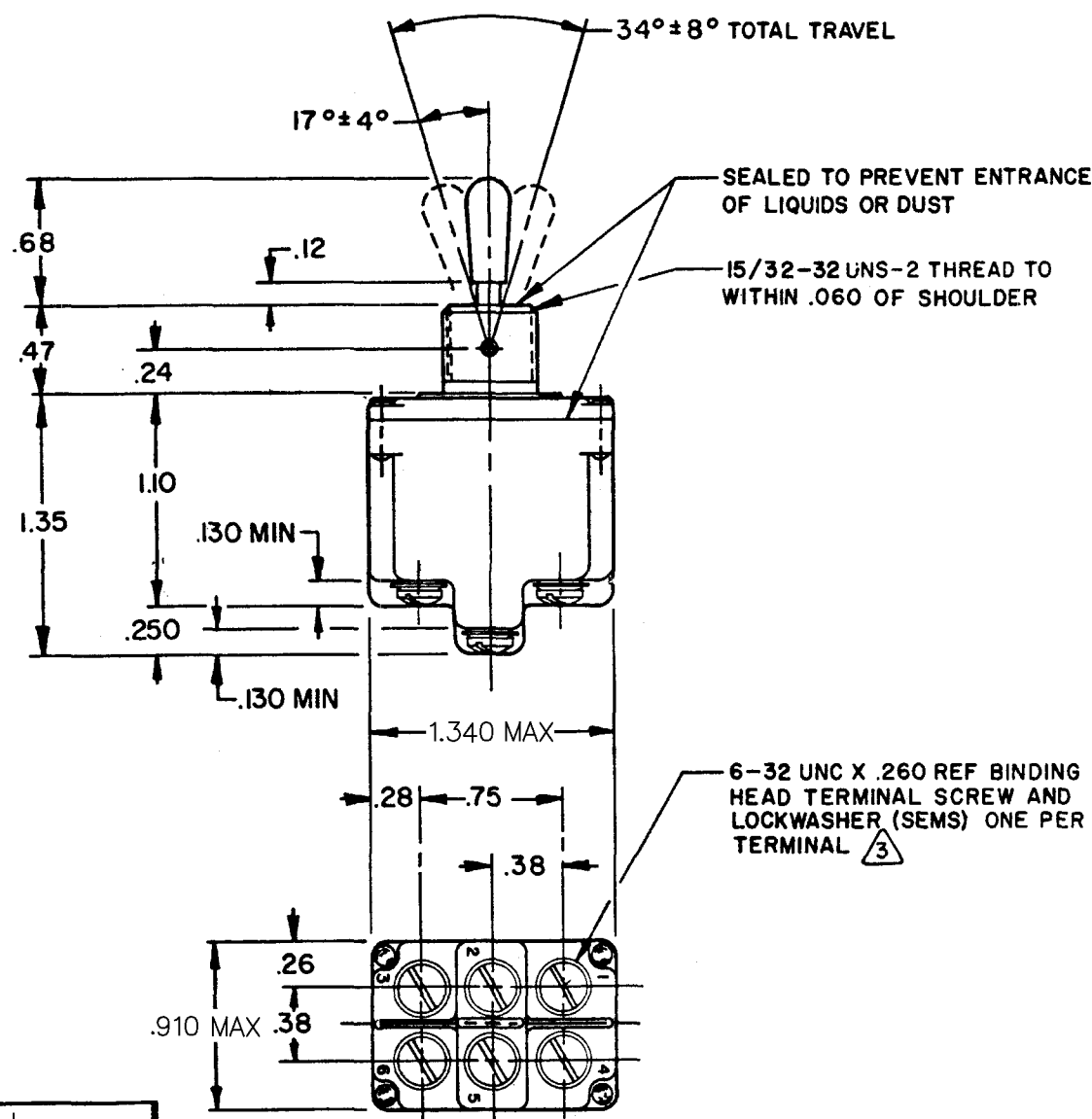
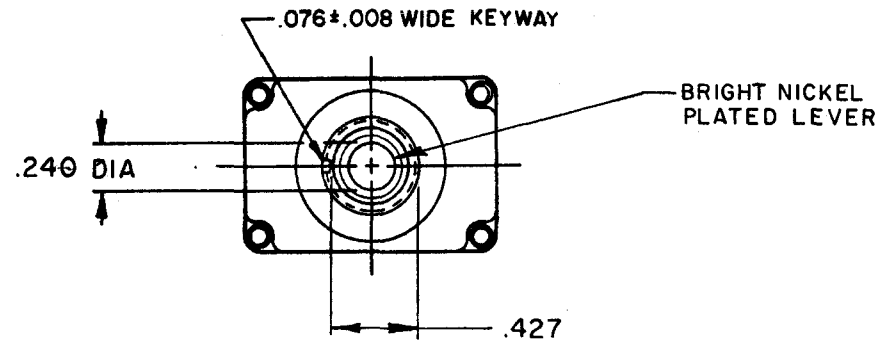
ELECTRICAL RATING

THIS DRAWING COVERS A PROPRIETARY ITEM AND IS THE PROPERTY OF MICRO SWITCH, A DIVISION OF HONEYWELL. THIS DRAWING IS NOT TO BE COPIED OR USED WITHOUT THE APPROVAL OF MICRO SWITCH.

2TL5 - 1	ON	OFF	ON
2TL5 - 2	OFF	NONE	ON
2TL5 - 3	ON	NONE	ON
2TL5 - 2I	NONE	OFF	ON
2TL5 - 3I	NONE	ON	ON
2TL5 - 4	MOM OFF	NONE	ON
2TL5 - 5	MOM ON	OFF	ON
2TL5 - 6	MOM ON	NONE	OFF
2TL5 - 7	MOM ON	OFF	MOM ON
2TL5 - 8	MOM ON	NONE	ON
2TL5 - 5I	NONE	ON	MOM ON
2TL5 - 6I	MOM ON	OFF	NONE
2TL5 - 8I	MOM ON	ON	NONE

15A-125,250 OR 277VAC
1/2HP-125VAC; 1HP-250,277VAC
5A-125VAC "L" CODE L191

10A-125,250 OR 277VAC
1/4HP-125VAC; 1/2HP-250,277VAC
3A-125VAC "L" CODE L192



NOTES

- SWITCHES ARE CAPABLE OF WITHSTANDING A TEMPERATURE OF 160°F CONTINUOUSLY AT FULL RATED LOAD
- CIRCUIT DESIGNATION AND MICRO SWITCH CATALOG LISTING MARKED ON SIDE OF SWITCH
- FURNISHED UNASSEMBLED
- FOR TERMINAL COVER SEE MICRO SWITCH CATALOG LISTING 5PA8
- APPLIES ONLY TO "ON" AND "MOMENTARY ON" POSITIONS
- BRIGHT FINISH TOGGLE LEVER AND MOUNTING NUTS

CATALOG LISTING
2TL5 SERIES
CHART 1
 PAGE 1 OF 1
M
 DRAWING NUMBER
 ISSUE
 X 10
 X 10
 REVISIONS
 A C035421 L S D 27 JUN 77
 B PR6750 R L W 19 OCT 77
 C CO 49070 T M M 18 MAY 81
 D CO 50496 T S K 13 NOV 81
 E CO 59379 S J S 8 SEP 86
 F C060869 W J K 13 JAN 87
 G CO 78047 S A D 23 AUG 94
 H C094438 G J W 23 NOV 99
 J 0003037 T S G 06 FEB 04
 CHECK MDM 06 FEB 04
 CHECK DFK 7-7-77
 CHECK GCH 7-7-77
 CHECK
 FORMTEK
 DRAWN L S D 27 JUN 77
 SCALE FULL
 DO NOT SCALE PRINT
 UNLESS OTHERWISE NOTED
 DIMENSIONS ARE IN INCHES
TOLERANCES ARE:
 ONE PLACE (.0) H .030
 TWO PLACE (.00) H .015
 THREE PLACE (.000) H .005
 ANGLES H .005
 WEIGHT .12 LB APPROX