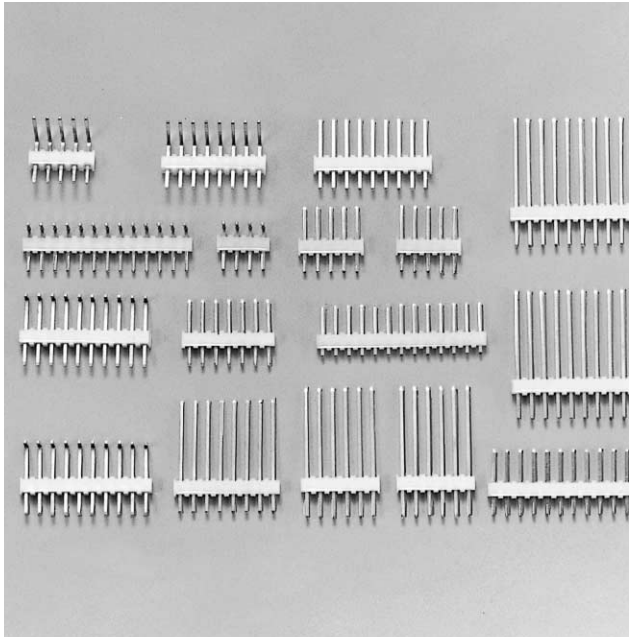




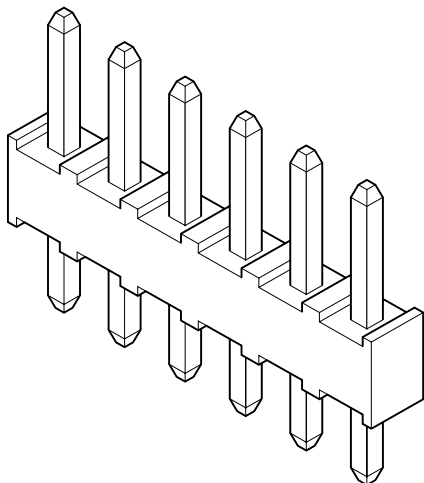
**2.5mm**  
(.098") pitch

# 2.5SB HEADER

Headers



*The SB headers can be used to connect any 2.5mm (.098") receptacles to printed circuit boards. They can also be used to directly connect PC boards. They come in pitches of 2.5mm (.098") and in both top entry and side entry type models. 2.54mm (.100") pitch SB headers are also available. In addition, 2.0mm (.079") pitch BC headers are available.*



## Specifications

- Current rating: 3A AC, DC
- Voltage rating: 250V AC, DC
- Temperature range: -25°C to +85°C  
(including temperature rise in applying electrical current)
- Post: Brass, copper-undercoated tin/lead-plated
- Wafer: Nylon 66, UL94V-0(natural)
- Pitch: 2.5mm(.098")
- Number of circuits: 2 to 20
- \* Contact JST if Lead-Free product is required.
- \* Refer to "General Instruction and Notice when using Terminals and Connectors" at the end of this catalog.
- \* Contact JST for details.

## Standards

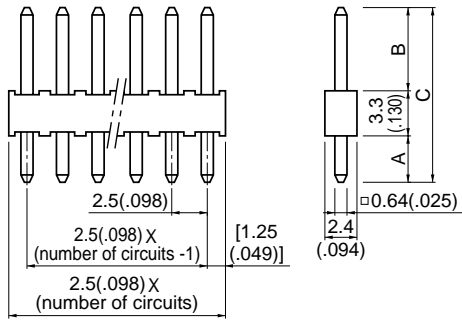
Recognized E60389

Certified LR20812

# 2.5SB HEADER

## Header

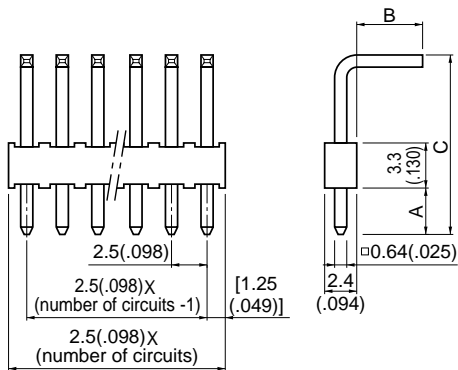
### Top entry type



Model No.	Dimensions mm(in.)		
	A	B	C
SB( )P-HVQ-A	5.0 (.197)	16.5 (.650)	24.8(.976)
SB( )P-HVQ-B	4.0 (.157)	8.7 (.343)	16.0(.630)
SB( )P-HVQ-C	0.4 (.016)	10.5 (.413)	14.2(.559)
SB( )P-HVQ-CA	3.4 (.134)	7.5 (.295)	14.2(.559)
SB( )P-HVQ-S	3.4 (.134)	6.0 (.236)	12.7(.500)
SB( )P-HVQ-N	6.35(.250)	6.35(.250)	16.0(.630)
SB( )P-HVQ-15	6.3 (.248)	13.7 (.539)	23.3(.917)
SB( )P-HVQ-16	3.3 (.130)	7.5 (.295)	14.1(.555)
SB( )P-HVQ-22	3.4 (.134)	11.1 (.437)	17.8(.701)
SB( )P-HVQ-23	3.5 (.138)	5.7 (.224)	12.5(.492)
SB( )P-HVQ-24	3.4 (.134)	13.7 (.539)	20.4(.803)
SB( )P-HVQ-27	4.0 (.157)	3.5 (.138)	10.8(.425)
SB( )P-HVQ-28	1.5 (.059)	5.1 (.201)	9.9(.390)
SB( )P-HVQ-29	2.5 (.098)	14.0 (.551)	19.8(.780)
SB( )P-HVQ-30	3.4 (.134)	14.8 (.583)	21.5(.846)
SB( )P-HVQ-34	3.3 (.130)	3.3 (.130)	9.9(.390)

\*The number of circuits (2 to 20) will be filled in the parentheses above.

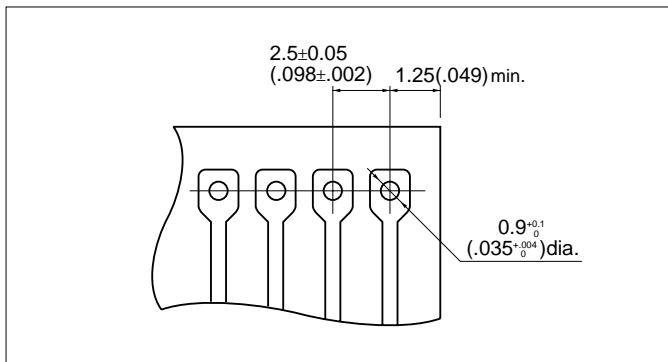
### Side entry type



Model No.	Dimensions mm(in.)		
	A	B	C
MB( )P-90	3.5(.138)	3.5(.138)	8.8(.346)
MB( )P-90H	3.4(.134)	7.6(.299)	9.7(.382)
MB( )P-90S	4.3(.169)	7.9(.311)	8.3(.327)
MB( )P-90-2	2.3(.091)	2.5(.098)	7.6(.299)

\*The number of circuits (2 to 20) will be filled in the parentheses above.

## PC board layout (viewed from soldering side)



Note:

1. Tolerances are non-cumulative:  $\pm 0.05\text{mm}(\pm .002")$  for all centers.
2. Hole dimensions differ according to the kind of PC board and piercing method. The dimensions above should serve as a guideline. Contact JST for details.