



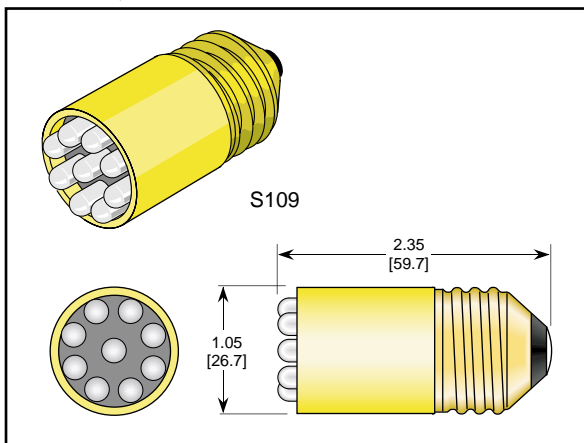
## Features

- Direct Mount in Industry Standard Sockets Without Modification
- Built-in Current Limiting Resistor for Direct Applications for 12 to 240V AC or DC
- Choice of Narrow (12°), Standard (30°), Medium (50°) or Wide Angle (120°) Illumination
- Long Life / 100,000+ Hours
- Choice of 10 Sunlight Visible Colors Plus Infrareds
- Very Low Power & Super Intensity
- Solid-State, High Shock/Vibration Resistant
- InGaN, InGaAlP New Technology LEDs

## Applications

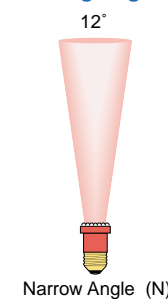
- General Low Level Area Illumination
- Illuminating Hallways & Storage Areas
- Architectural & Decor Lighting
- Security Area Lighting
- Landscape Lighting

### 8 / 9 LED, 25mm Medium Screw Base



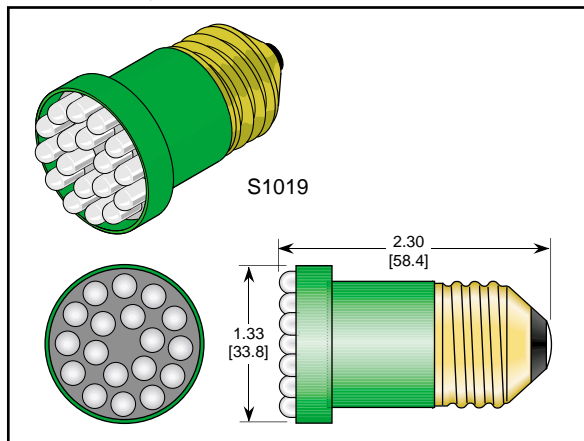
Part Number	LED Color	Input Voltage	Power Watts (typ)	Intensity per LED $I_v$ mcd (typ)	$\lambda_p$ (nm)	View Angle $2\theta^{1/2}$
S109-0UR-02x	UL RED	120VAC	1.70W	1250	660	12°
S109-0ER-02x	E RED	120VAC	1.70W	1250	630	12°
S109-0UO-02x	AMBER	120VAC	1.70W	1400	612	12°
S109-0UY-02x	YELLOW	120VAC	1.70W	1250	595	12°
S109-0IW-02x	INC WHITE	120VAC	1.25W	2000	4500K	12°
S109-0CW-02x	C. WHITE	120VAC	1.25W	6000	8000K	12°
S109-0UG-02x	L. GREEN	120VAC	1.25W	1000	570	12°
S109-1AG-02x	A. GREEN	120VAC	1.25W	1500	525	12°
S109-1BG-02x	B. GREEN	120VAC	1.25W	1500	505	12°
S109-1PB-02x	BLUE	120VAC	1.25W	1200	470	12°
S109-851-02x	INFRARED	120VAC	1.70W	10mW	850	12°
S109-881-02x	INFRARED	120VAC	1.70W	8mW	880	12°
S109-941-02x	INFRARED	120VAC	1.70W	7mW	940	12°

### Standard Viewing Angle:



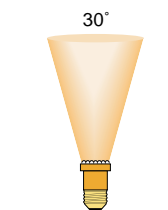
Narrow Angle (N)

### 18 / 19 LED, 25mm Medium Screw Base

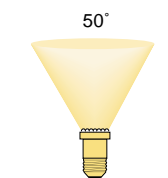


Part Number	LED Color	Input Voltage	Power Watts (typ)	Intensity per LED $I_v$ mcd (typ)	$\lambda_p$ (nm)	View Angle $2\theta^{1/2}$
S1019-0UR-02x	UL RED	120VAC	1.70W	1250	660	12°
S1019-0ER-02x	E RED	120VAC	1.70W	1250	630	12°
S1019-0UO-02x	AMBER	120VAC	1.70W	1400	612	12°
S1019-0UY-02x	YELLOW	120VAC	1.70W	1250	595	12°
S1019-0IW-02x	INC WHITE	120VAC	1.25W	2000	4500K	12°
S1019-0CW-02x	C. WHITE	120VAC	1.25W	6000	8000K	12°
S1019-0UG-02x	L. GREEN	120VAC	1.25W	1000	570	12°
S1019-1AG-02x	A. GREEN	120VAC	1.25W	1500	525	12°
S1019-1BG-02x	B. GREEN	120VAC	1.25W	1500	505	12°
S1019-1PB-02x	BLUE	120VAC	1.25W	1200	470	12°
S1019-851-02x	INFRARED	120VAC	1.70W	10mW	850	12°
S1019-881-02x	INFRARED	120VAC	1.70W	8mW	880	12°
S1019-941-02x	INFRARED	120VAC	1.70W	7mW	940	12°

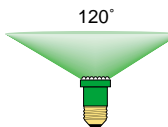
### Optional Viewing Angles:



Standard Angle (S)

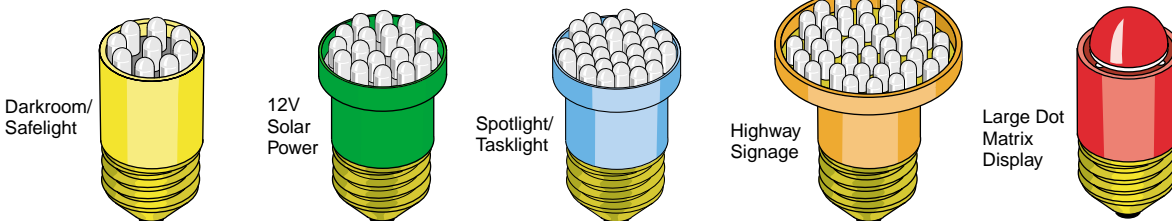


Medium Angle (M)



Extra Wide Angle (W)

## Typical Applications



### Notes:

1. Not all possible combinations of voltage, intensity and angle are available
2. Intensity shown is for narrow angle. Intensity is reduced 12 to 15 times when using extra wide angles
3. Infrared LED Intensity is shown as typical milliwatt power per steradian