

# .100" IDC CABLE STRIPS

HCMD, HCMS, HCSD, HCSS, CB

**Mates with:**

TSW, MTSW, TST, EW, BST, LCW, ZST, MTLW, TSM

**Specifications: HCSD, HCSS**

**Insulator Material:** Black Liquid Crystal Polymer  
**Flammability Rating:** UL 94V-O  
**Insulation Resistance:** 5000 MΩ  
**Temperature Range:** -20°C to +105°C (Rainbow Cable)  
 -40°C to +105°C (Gray Cable)  
**Withstanding Voltage:** 1000 VRMS @ 60 Hz

**Contact:**

Phosphor Bronze  
**Plating:** 10μ" (0,25μm) on contact area, 150μ" (3,81μm) Sn on balance over 50μ" (1,27μm) Ni.

**Current Rating:**

1A  
**Contact Resistance:** 10 mΩ max

**Lead Size Range:**

.024" (0,61mm) SQ to .026" (0,66mm) SQ

**Lead Insertion Depth:**

.185" (4,70mm) to .250" (6,35mm)

**Insertion Force:**

6 oz avg (1,67N) average with .025" (0,64mm) SQ probe

**Withdrawal Force:**

3 oz avg (0,83N) average with .025" (0,64mm) SQ probe

**Wire:** 28 AWG 7/36 stranded

Tinned Copper

**RoHS Compliant:**

Yes

**Specifications: HCMD, HCMS**

**Insulator Material:** Black Liquid Crystal Polymer  
**Flammability Rating:** UL 94V-O

**Insulation Resistance:** 5000 MΩ

**Temperature Range:** -55°C to +80°C

**Withstanding Voltage:** 1000 VRMS @ 60 Hz

**Terminal:** Phosphor Bronze

**Plating:** Sn over 50μ" (1,27μm) Ni

**Current Rating:** 1A

**Wire:** 28 AWG 7/36 stranded

Tinned Copper

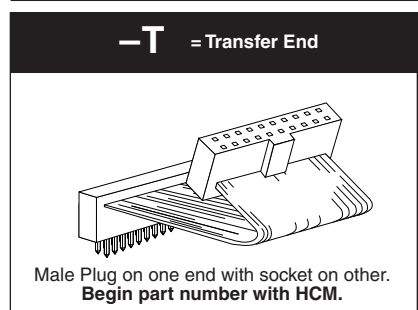
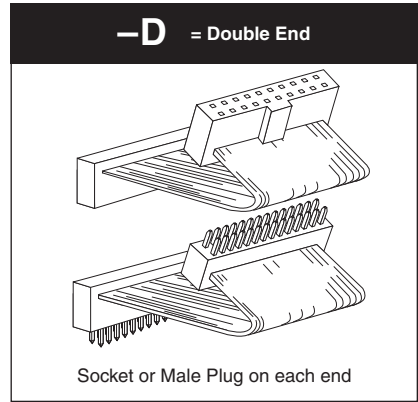
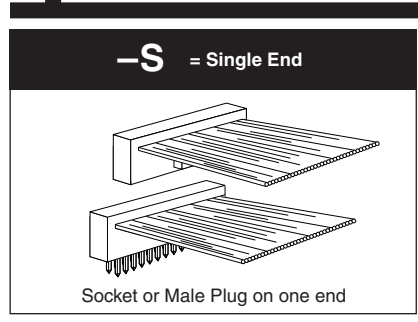
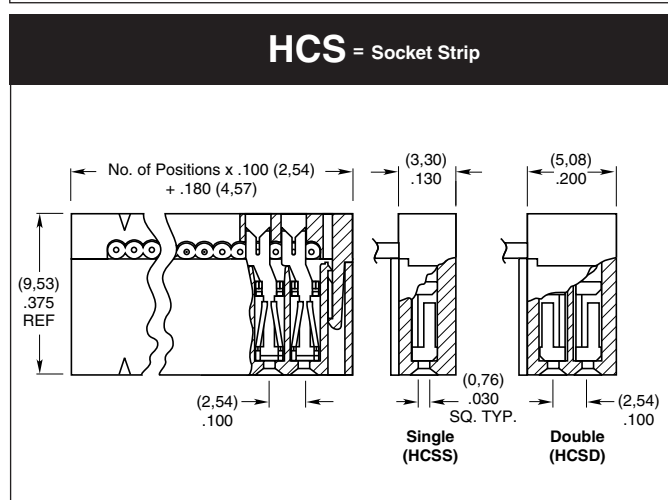
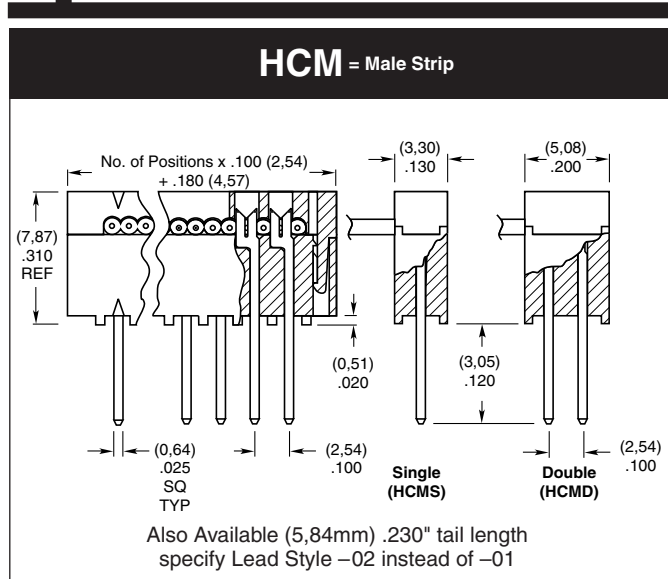
**RoHS Compliant:**

Yes

**Note:**

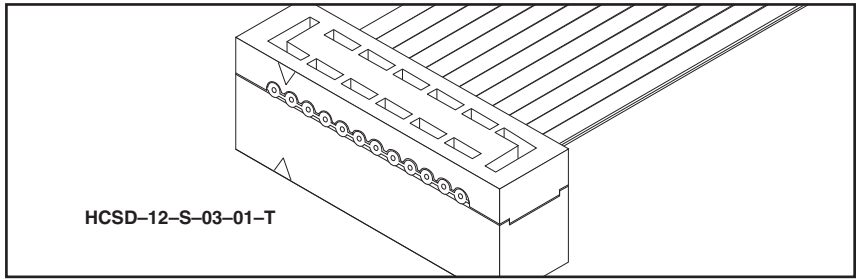
IDC assemblies are non-standard, non-returnable.

TYPE STRIP	ROW OPTION	NO. PINS PER ROW	END ASSEMBLY	ASSEMBLED LENGTH
	<b>S</b> = Single	<b>-05, -08, -10, -12, -13, -15, -17, -20, -25, -36</b>		<b>-“XX”</b> = Assembled Length
	<b>D</b> = Double (Color coded cable N/A for 31 thru 36 pins/row. See -G option.)			Assembled Length in INCHES (±1/8") 2 inches minimum



*Due to technical progress, all designs, specifications and components are subject to change without notice.*

**WWW.SAMTEC.COM**



# .100" IDC CABLE STRIPS

HCMD, HCMS  
HCSD, HCSS, CB

**01 PLATING OPTION**

**-S** = 10µ" (0,25µm) Gold on contact area or tail, Tin on balance (Standard on HCSS & HCSD. Leave blank)

**-T** = Tin (Standard on HCMS & HCMD. Leave blank)

**NOTCH POLARIZATION**

**-N** = Notch Polarization

Required for HCSS and HCSD. (Not available on HCMS or HCMD, unless Transfer, then only the socket is polarized.)

**OTHER OPTIONS**

**BULK IDC FLAT CABLE**

**CB-36-28-7/36-100-C** = 36 Conductor/Color Coded  
**CB-36-28-7/36-100-G** = 36 Conductor/Gray

**CB-72-28-7/36-050-C** = 72 Conductor/Color Coded

**-P "XX"**  
= Position Polarization

Specify "XX" as position. For Double the same position will be polarized on both ends. (Not available on HCM, unless Transfer, then only the socket is polarized)

**-ST "X"**  
= Stripped & Tinned

Specify Suffix from table. All dimensions are ± 1/16" (1,59mm). Not available in 28 positions and higher.

<b>-ST8</b>	1/8" (3,18)
<b>-ST4</b>	1/4" (6,35)
<b>-ST2</b>	1/2" (12,70)
<b>-ST3</b>	3/8" (9,53)

**-S "XX"**  
= Daisy Chain Single

When mating double row connector with two single row connectors, the outer most single will be connected to Conductor #1 and the inside single to Conductor #2.

**-R**  
= Reversed

**-G**  
= Gray Cable

Standard cable is color coded. Specify -G for Gray cable with one red edge.

**-B "XX"**  
= Breakout

Specify "XX" as number of conducts to be broken out.

Breakout starts with Number 1 lead indicated by brown wire or red stripe. Shown on top side.

**-D "XX"**  
= Daisy Chain, Double

**-M**  
= Middle Reversed

Requires -SXX, -WXX or -DXX

**-RW**  
= Reversed Wiring

#1 wire opposite position #1

**-W "XX"**  
= Wiring Reversed Daisy Chain, Single

Same as -S "XX" except outer strip connected to conductor #2 and inside strip connected to conductor #1.

**-O**  
= Outside Reversed

Requires -SXX, -WXX or -DXX

Due to technical progress, all designs, specifications and components are subject to change without notice.

**WWW.SAMTEC.COM**