

1.0Vdc LOW VOLTAGE CMOS OUTPUT 3.2 x 2.5mm SMD CRYSTAL CLOCK OSCILLATOR



3.2 x 2.5 x 0.9 mm

ASE6 SERIES



FEATURES:

- 3.2 x 2.5 x 0.9mm miniature package
- Low current consumption 1.0mA typ for 20MHz
- Low current consumption
- IR reflow capable
- 10uA standby current
- Tight stability option

APPLICATIONS:

- CCD clock for VTR camera
- Computer peripherals
- Digital camera, MP3 player
- Mobile communications
- PDA

STANDARD SPECIFICATIONS:

Parameters	Minimum	Typical	Maximum	Units	Notes
Frequency Range	1	----	50	MHz	
Standard Frequencies:	25.000			MHz	
Operating Temperature:	-10	----	+70	°C	See options
Storage Temperature:	-55	----	+155	°C	
Overall Frequency Stability:	-100	----	+100	ppm	See options
Supply Voltage (Vdd):	+0.95	1.00	+1.05	V	
Input Current:	----	1.0	1.5	mA	1.00 – 20.00MHz
	----	1.5	2.0	mA	20.01 – 40.00MHz
	----	2.0	2.5	mA	40.01 – 50.00MHz
Symmetry:	45	----	55	%	@ 1/2Vdd
Rise and Fall Time (Tr/Tf):	----	1.3	3.0	ns	
Output Load:			15	pF	CMOS
Output Voltage (VOH):	0.9* Vdd	----	----	V	
Output Voltage (VOL):	----	----	0.1* Vdd	V	
Start-up Time:	----	1.0	2.0	ms	
RMS Jitter:	----	3.3	5.0	ps	
Tri-state function (Stand-by) :	"1" (VIH≥0.7*Vdd) or Open: Oscillation; "0" (VIH<0.3*Vdd) : Hi Z				
Disable Current:			10	µA	

OPTIONS & PART IDENTIFICATION:

(Left blank if standard)

ASE6 - MHz - - -

Frequency in MHz
Please specify the frequency in MHz.
e.g. 14.31818MHz

Operating Temp.
I: 0°C ~ +50°C
D: -10°C ~ +60°C
E: -20°C ~ +70°C
F: -30°C ~ +70°C
N: -30°C ~ +85°C
L: -40°C ~ +85°C

Overall Freq. Stability
J(*): ±20ppm
R: ±25ppm
K: ±30ppm
H: ±35ppm
B: ±40ppm
C: ±50ppm

Packaging
Blank: Bulk
T: Tape & Reel

* Temp. option I,D,E and -10°C ~ +70°C only
Please contact Abracon for wider temp. range.

1.0Vdc LOW VOLTAGE CMOS OUTPUT 3.2 x 2.5mm SMD CRYSTAL CLOCK OSCILLATOR



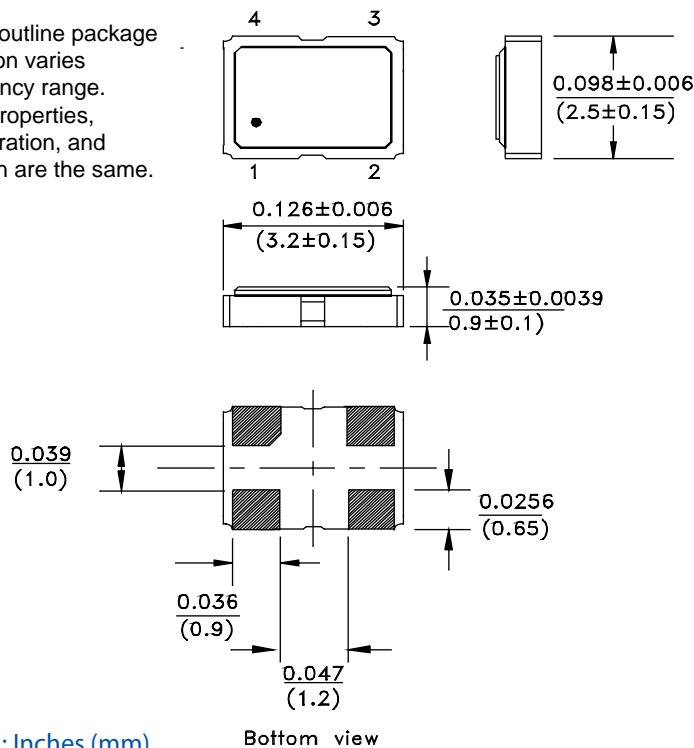
3.2 x 2.5 x 0.9 mm

ASE6 SERIES



OUTLINE DRAWING:

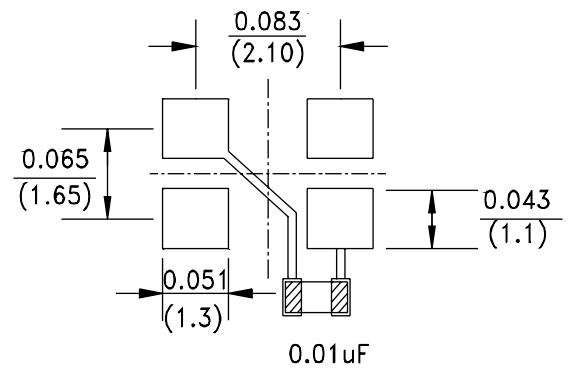
Note: The outline package configuration varies with frequency range. Electrical properties, pin configuration, and land pattern are the same.



Dimension : Inches (mm)

Bottom view

Recommended land pattern

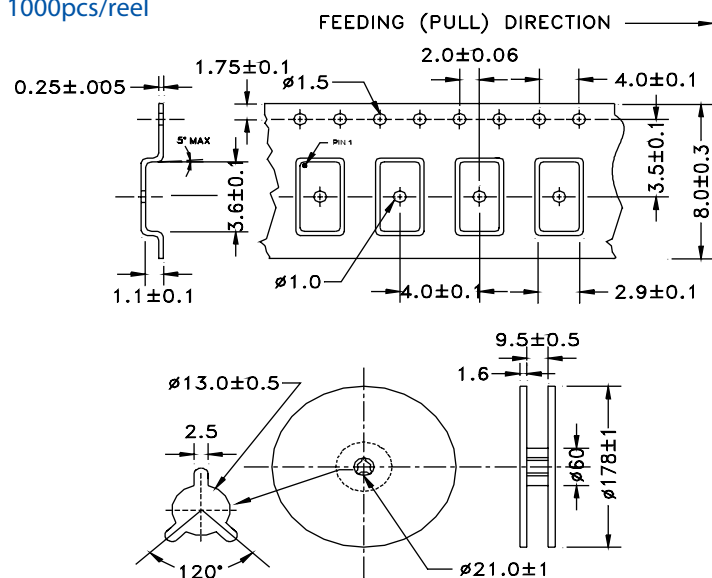


PIN	FUNCTION
1	Tri-state
2	GND/Case
3	Output
4	Vdd

Note: Recommend using an approximately 0.01µF bypass capacitor between PIN 2 and 4.

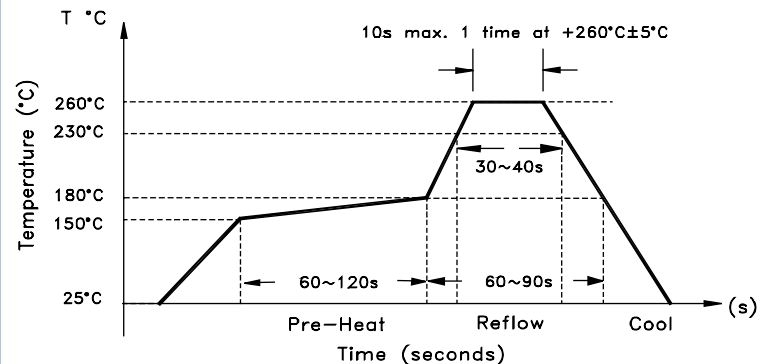
TAPE & REEL: 1,000 pcs/reel

1000pcs/reel



Dimension: mm

REFLOW PROFILE:



ATTENTION: Abracon Corporation's products are COTS – Commercial-Off-The-Shelf products; suitable for Commercial, Industrial and, where designated, Automotive Applications. Abracon's products are not specifically designed for Military, Aviation, Aerospace, Life-dependant Medical applications or any application requiring high reliability where component failure could result in loss of life and/or property. For applications requiring high reliability and/or presenting an extreme operating environment, written consent and authorization from Abracon Corporation is required. Please contact Abracon Corporation for more information.

ABRACON IS
ISO9001:2008
CERTIFIED



Visit www.abracon.com for Terms & Conditions of Sale **Revised: 09.22.10**
30332 Esperanza, Rancho Santa Margarita, California 92688
tel 949-546-8000 | fax 949-546-8001 | www.abracon.com