

# Amphenol

## 482GB Series

Circular Environmental Connector



### Description

The 482 Series are EMI filter connectors which are designed to meet the mechanical and environmental requirements of MIL-C-26482. The connectors will accept filter, power or grounding contacts or EMI seal plugs or any combination thereof.

Connectors are available with front release rear removable crimp type contacts or fixed contacts with solder bucket or pin tail termination.

### Mating Connector Information

482 Series connectors mate with connectors conforming to MIL-C-26482, MIL-C-83723, BS9522 N0001 – AMPHENOL's 162 Series, BS9522 F0017 – AMPHENOL's 62 Series, AMPHENOL's 602GB Series.

TESTED TO  
BS9522 F0027

**Amphenol**

# Contents

	<b>Page</b>
Introduction .....	2
Design Features .....	2
Insert Arrangements .....	2-3
Keyway Orientations .....	3
Shell Styles and Dimensions .....	4-7
Contacts .....	8
Typical Insertion Loss .....	8
Contact Specifications .....	9-10
Ordering Information .....	11
Tools .....	12
Contact Insertion / Removal Operations .....	13-14

## Introduction

AMPHENOL's Filter connectors are a system of reliability engineered receptacles, plugs, contacts and accessories, designed to provide a wide range of performance and servicing features not previously available with ordinary EMI filtering connectors.

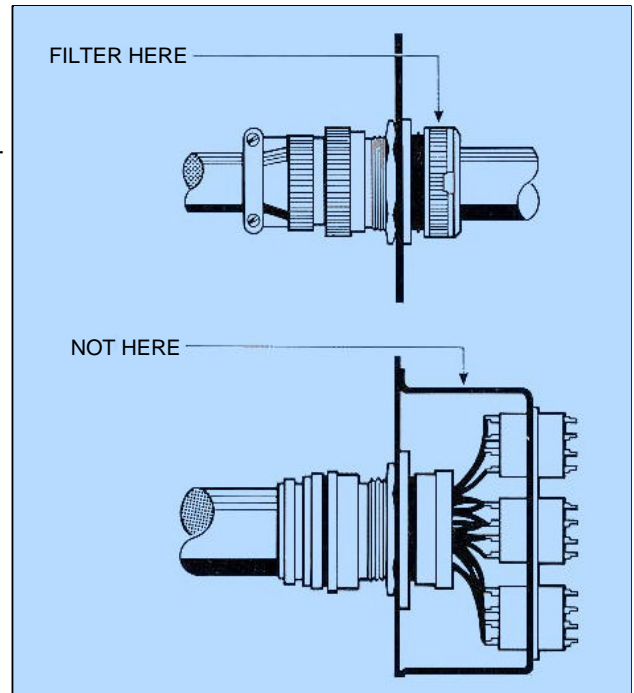
These connectors are rugged enough to operate reliably under high physical stress, and in the demanding environmental conditions required of power connections.

The patented stress isolated EMI filter is composed of a ceramic element attached to a sturdy contact in a way that dampens all connector stresses and virtually eliminates the chance of ceramic fracture due to vibration, thermal and physical shock.

Once inserted in the connector, the filter contact is engaged by a Microstrip grounding plate designed to achieve maximum insertion loss and to inhibit resonances due to series inductance.

The use of filter connectors has the following advantages:

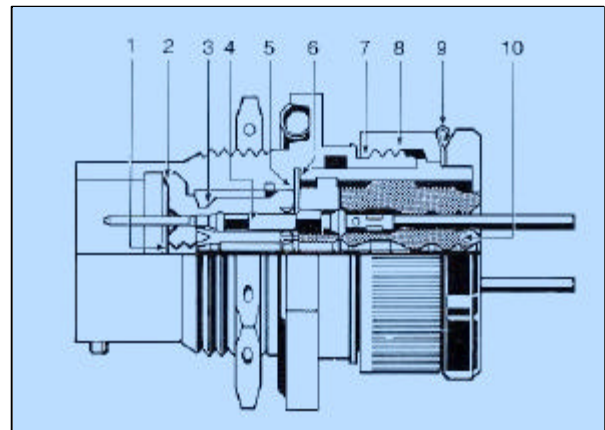
- Space saving
- Weight saving
- Reduction in solder connections
- Eliminates requirement for RFI screened box
- Provides low impedance ground plane for filter network



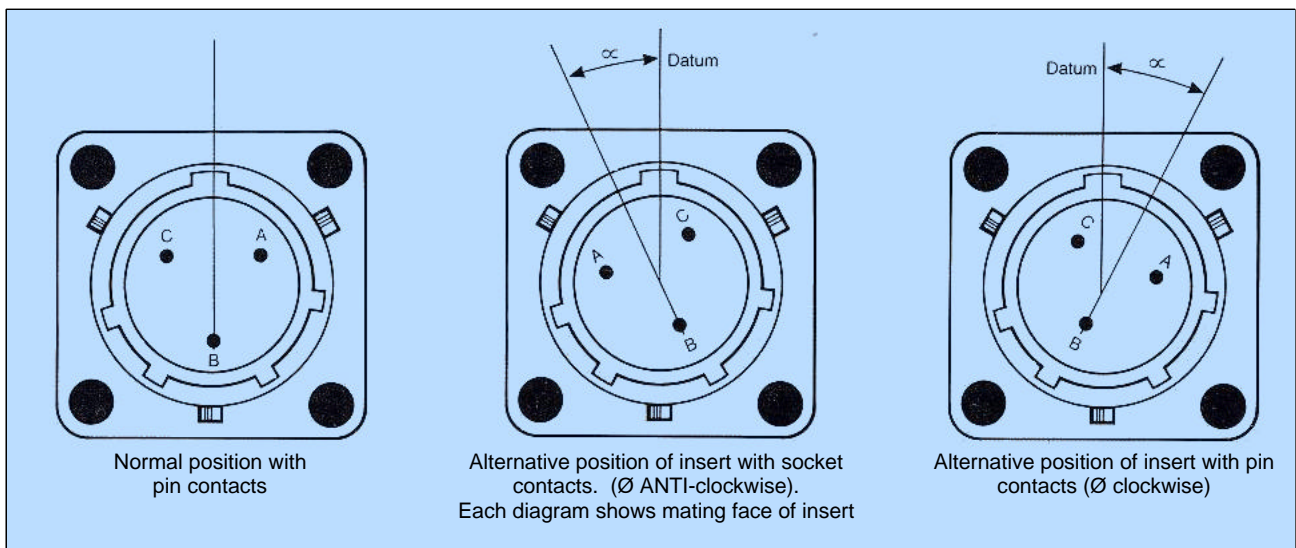
## Design Features

1. Self-Sealing two riser front insert \* (Silicone Rubber)
2. Diaphragm rim seal \* (Silicone Rubber)
3. Moulded one-piece contact retention system. (High temp Thermoplastic)
4. Stress isolated, filter contacts
5. Microstrip EMI grounding plate – plated Copper Alloy
6. High temperature contact heat dissipater plate
7. Visual servicing condition indicator
8. Safety grip locking ring
9. Vibration proof detent spring
10. Self-sealing three riser grommet (Silicone Rubber)

Note: Newly improved design meets mated and unmated water pressure-sealing requirements of MIL-C-5015

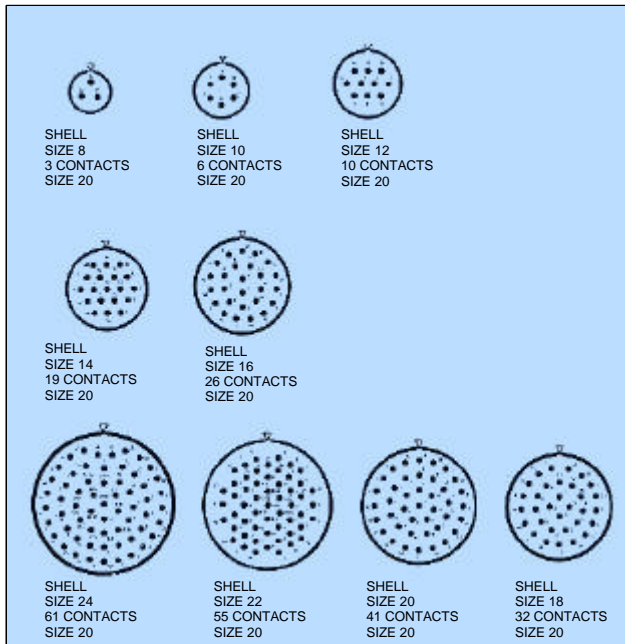


## Insert Arrangements





## Insert Arrangements contd



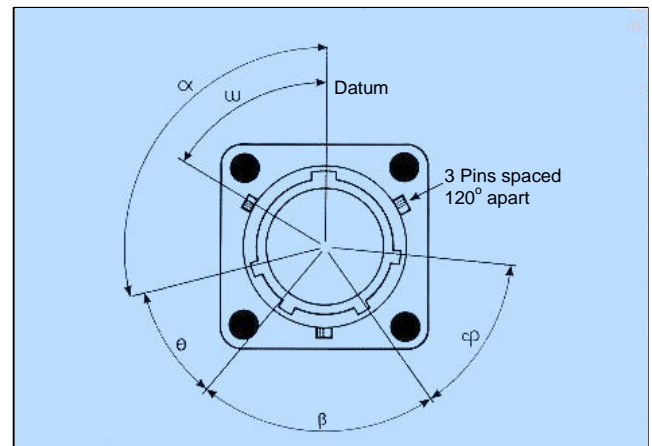
Alternate Insert Positions

Insert Arrangement	a Degrees				
	Normal	W	X	Y	Z
8-33	0	90	-	-	-
10-6	0	90	-	-	-
12-10	0	60	155	270	295
14-19	0	30	165	315	-
16-26	0	60	-	275	338
18-32	0	85	138	222	265
20-41	0	45	126	225	-
22-55	0	30	142	226	314
24-61	0	90	180	270	324

## Keyway Orientations

Datum is always taken from major key or keyway. In receptacles the major keyway always remains fixed in relation to the mounting flange. For the B, C, E and F orientations, the three bayonet locations and associated minor keyways are rotated complete, in accordance with the table below.

N.B. The accompanying diagram shows a receptacle shell, with keyways. Corresponding key orientations for a mating plug shell are therefore always clockwise.

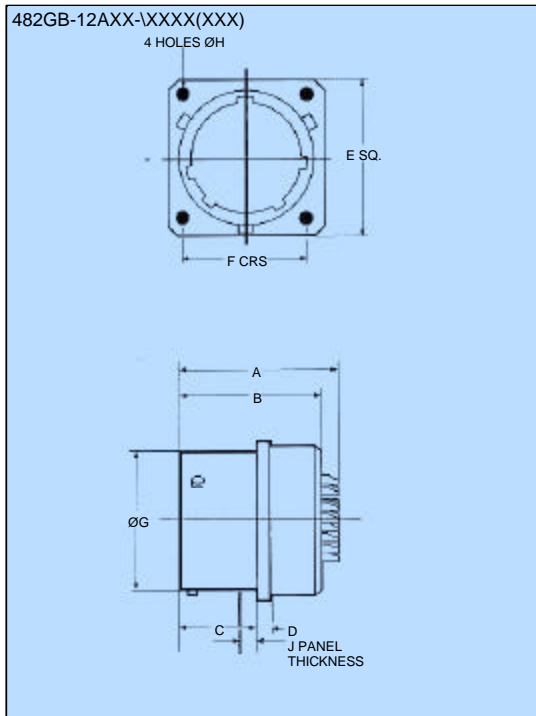


Shell Size	VALUES FOR a (degrees)					VALUES FOR $\theta$ (degrees)					VALUES FOR $\beta$ (degrees)				
	N	B	C	E	F	N	B	C	E	F	N	B	C	E	F
8	105	-	-	118	82	35	-	-	30	50	75	-	-	100	75
10	105	85	125	115	85	35	35	35	30	50	75	75	75	100	75
12	105	89	121	115	85	35	35	35	30	50	75	75	75	100	75
14	105	91	119	75	120	35	35	35	30	30	75	75	75	100	75
16	105	93	117	75	120	35	35	35	30	50	75	75	75	100	75
18	105	95	115	75	120	35	35	35	30	50	75	75	75	100	75
20	105	95	115	75	120	35	35	35	30	50	75	75	75	100	75
22	105	97	113	75	120	35	35	35	30	50	75	75	75	100	75
24	105	97	113	75	120	35	35	35	30	50	75	75	75	100	75

Shell Size	VALUES FOR f (degrees)					VALUES FOR $\gamma$ (degrees)				
	N	B	C	E	F	N	B	C	E	F
8	50	-	-	30	45	60	-	-	73	47
10	50	50	50	30	45	60	40	80	70	50
12	50	50	50	30	45	60	44	76	70	50
14	50	50	50	30	35	60	46	74	30	75
16	50	50	50	30	35	60	48	72	30	75
18	50	50	50	30	35	60	50	70	30	75
20	50	50	50	30	35	60	50	70	30	75
22	50	50	50	30	35	60	52	68	30	75
24	50	50	50	30	35	60	52	68	30	75

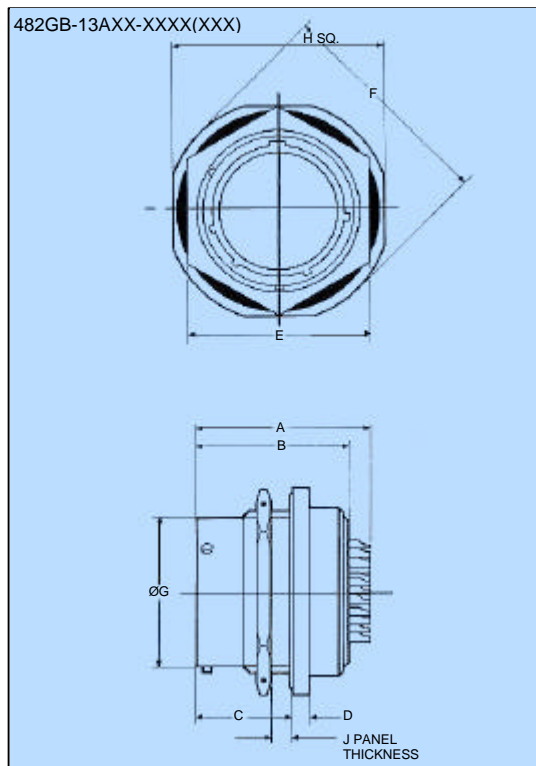
## Dimensions and Shell Sizes

### Square Flange Mounting Receptacle (with fixed contacts)



Shell Size	A MAX	B MAX	C MAX	D MAX	E SQ MAX	F MAX	GØ MAX	HØ MAX	J MAX
8					.822	.594	.473		
					20.88	15.08	12.06		
10					.952	.719	.590		
					24.18	18.26	14.99		
12					1.042	.812	.750		
					24.46	20.62	19.05		
14	1.412	1.266	.652	.086	1.142	.906	.875	.117	0.82
	35.86	32.16	16.56	2.18	29.00	23.01	22.22	2.97	2.08
16					1.232	.969	1.000		
					31.29	24.61	25.40		
18					1.322	1.062	1.125		
					33.58	26.97	28.57		
20			.777		1.452	1.156	1.250		
			19.73		36.88	29.36	31.75		
22			.777	0.98	1.572	1.250	1.375		.207
			19.73	2.49	39.93	31.75	34.92		5.25
24			.810		1.702	1.375	1.500	.145	
			20.57		43.32	34.92	38.10	3.68	

### Single Hole Mounting Receptacle (with fixed contacts)



Shell Size	A MAX	B MAX	C MAX	D MAX	E SQ MAX	F MAX	GØ MAX	H MAX	J MAX
08					.750	1.069	.473	.954	
					19.05	27.15	12.06	24.23	
10					.875	1.194	.590	1.077	
					22.22	30.34	14.99	24.23	
12	1.505	1.331	.710	.105	1.062	1.382	.750	1.265	.125
	38.23	33.81	18.03	2.67	26.97	35.10	19.05	32.13	3.17
14					1.187	1.507	.875	1.388	
					30.15	38.28	22.22	35.25	
16					1.312	1.632	1.000	1.515	
					33.32	41.45	25.40	38.48	
18					1.437	1.757	1.125	1.640	
					36.50	44.63	28.57	41.66	
20					1.562	1.945	1.250	1.825	
					39.67	49.40	31.75	46.36	
22	1.567	1.393	.899	.153	1.687	2.078	1.375	1.953	.250
	39.80	35.38	22.83	3.89	42.85	52.78	34.92	49.61	6.35
24			.932		1.812	2.194	1.500	2.075	
			23.67		46.02	55.73	38.10	52.70	

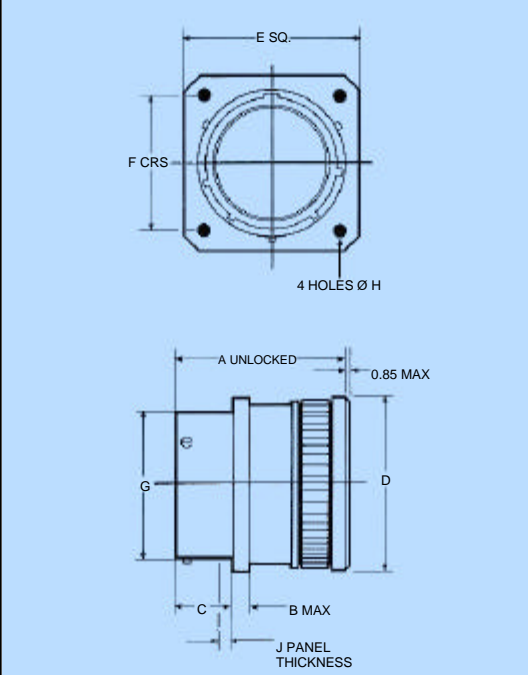
Dimensions Inches

Millimetres

# Dimensions and Shell Sizes

## Square Flange Mounting Receptacle (Back Mounting Only)

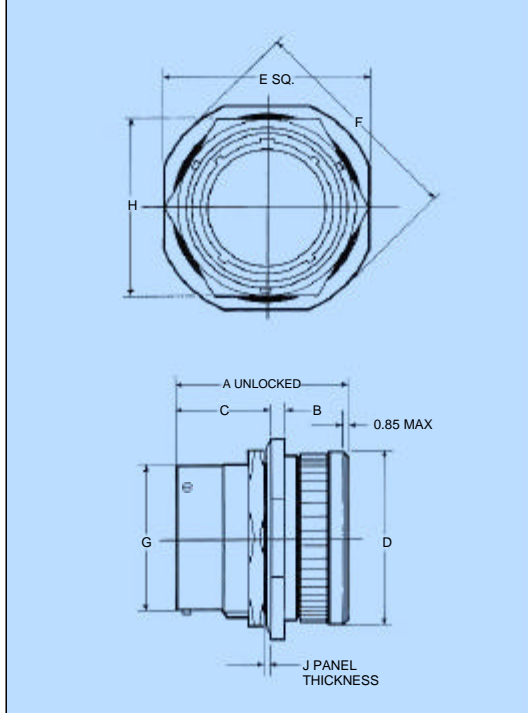
482GB-12EXX-XXXX(104)



Shell Size	A MAX	B MAX	C MAX	D MAX	E MAX	F MAX	GØ MAX	HØ MAX	J MAX
8				.750	.828	.594	.473		
				19.05	21.03	15.09	12.01		
10				.875	.954	.719	.590		
				22.22	24.23	18.26	14.99		
12				1.000	1.047	.812	.750		
				25.40	26.59	20.62	19.05		
14	1.765	.078	.441	1.125	1.141	.906	.875	.120	.082
	44.83	1.98	11.20	28.57	28.98	23.01	22.22	3.05	2.08
16				1.250	1.234	.969	1.000		
				31.75	31.34	24.61	25.40		
18				1.375	1.328	1.062	1.125		
				34.92	33.73	26.97	28.57		
20				1.531	1.453	1.156	1.250		
				38.88	36.90	29.36	31.75		
22	1.821	.110	.566	1.656	1.578	1.250	1.375	.147	.207
	46.31	2.80	14.38	42.06	40.08	31.75	34.92	3.73	5.25
24				.599	1.781	1.703	1.375		
				15.22	45.24	43.26	34.92		

## Single Hole Mounting Receptacle

482GB-13EXX-XXXX(104)



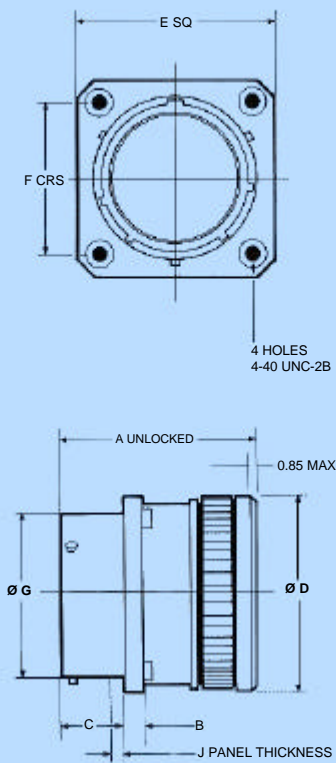
Shell Size	A MAX	B MAX	C MAX	D MAX	E MAX	F MAX	GØ MAX	HØ MAX	J MAX
8				.750	.954	1.078	.430	.750	
				19.05	24.23	27.38	10.92	19.05	
10				.875	1.078	1.203	.558	.875	
				22.22	27.38	30.55	14.17	22.22	
12				1.000	1.266	1.391	.711	1.062	
				25.40	32.15	35.33	18.06	26.97	
14	1.785	.138	.722	1.125	1.391	1.516	.831	1.187	.125
	44.83	3.51	18.34	28.57	35.33	38.51	21.10	30.15	3.17
16				1.250	1.516	1.641	.956	1.312	
				31.75	38.50	41.68	24.28	33.32	
18				1.375	1.641	1.766	1.056	1.437	
				34.92	41.68	44.85	26.82	36.50	
20				1.531	1.828	1.954	1.181	1.562	
				38.88	46.43	49.63	30.00	39.67	
22	1.826	.168	.910	1.656	1.954	2.078	1.306	1.687	.250
	46.38	4.27	23.11	42.06	49.63	52.78	33.17	42.85	6.35
24				.943	1.781	2.078	2.203	1.431	1.812
				23.95	45.24	52.78	55.95	36.35	46.02

Dimensions Inches

Millimetres

## Square Flange Mounting Receptacle with Cinch Nuts

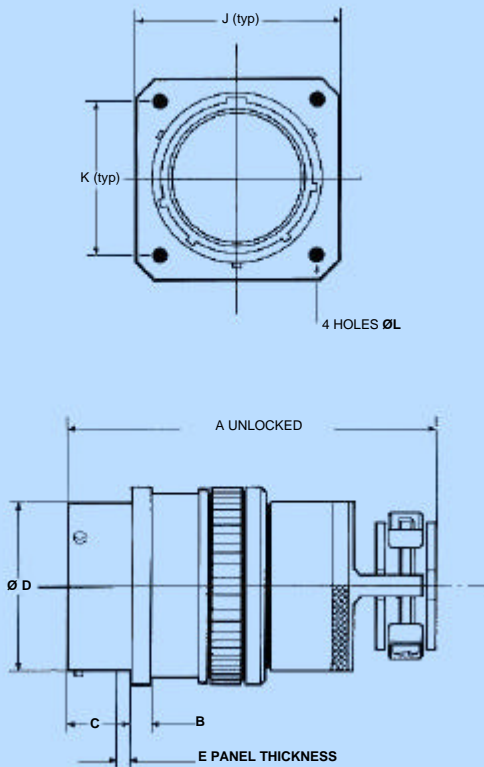
482GB-15EXX-XXXX(104)



Shell Size	A MAX	B MAX	C MAX	D MAX	E MAX	F MAX	GØ MAX	J MAX
8				.750	.828	.594	.473	
				19.05	21.03	15.09	12.01	
10				.875	.954	.719	.590	
				22.22	24.23	18.26	14.99	
12				1.000	1.047	.812	.750	
				25.40	26.59	20.62	19.05	
14	1.765	.078	.441	1.125	1.141	.906	.875	.082
	44.83			1.98	11.20	28.57	28.98	
16				1.250	1.234	.969	1.000	
				31.75	31.34	24.61	25.40	
18				1.375	1.328	1.062	1.125	
				34.92	33.73	26.97	28.57	
20				1.531	1.453	1.156	1.250	
				38.88	36.90	29.36	31.75	
22	1.826	.110	.566	1.656	1.578	1.250	1.375	.207
	46.83			2.79	14.38	42.06	40.08	
24				.599	1.781	1.703	1.375	
				15.21	45.24	43.25	34.92	

## Square Flange Receptacle (with Strain Relief Clamp) (Back Mounting only)

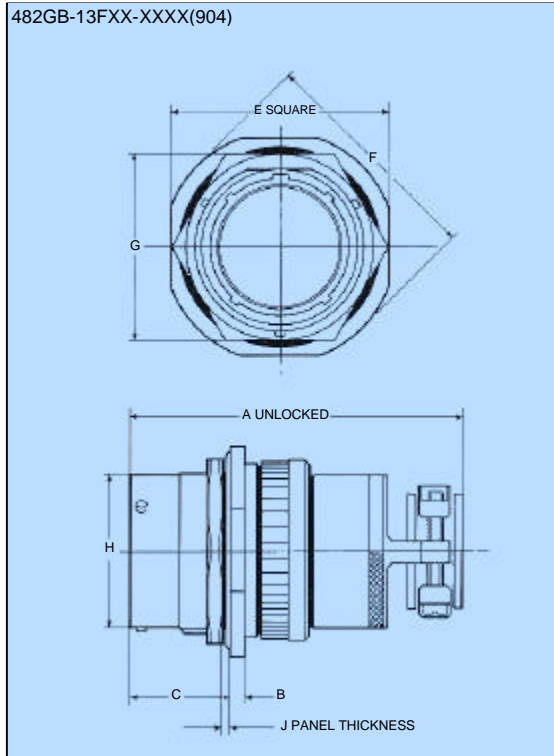
482GB-12FXX-XXXX(904)



Shell Size	A MAX	B ±.016 ±.041	C MAX	DØ MAX	E MAX	J MAX	K ±.005 ±.013	LØ
8	2.750			.473		0.820	0.594	
	69.85			12.01		20.82	15.09	
10	2.750			.590		.950	0.719	
	69.85			14.99		24.13	18.26	
12	2.750			.750		1.040	0.812	
	69.85			19.05		26.42	20.62	
14	2.750	0.078	.441	.875	.082	1.140	0.906	.120
	69.85	1.98		11.20	22.22	2.08	28.96	
16	2.900			1.000		1.230	0.969	
	73.66			25.40		31.24	24.61	
18	2.900			1.125		1.320	1.062	
	73.66			28.57		33.53	26.97	
20	3.500			1.250		1.450	1.156	
	88.90			31.75		36.83	29.36	
22	3.600	.110	.566	1.375	2.07	1.570	1.250	.147
	91.44	2.80		14.38	34.92	5.25	39.88	
24	3.800			.599		1.700	1.375	
	96.52			15.21		38.10	43.18	

Dimensions    Inches  
 Millimetres

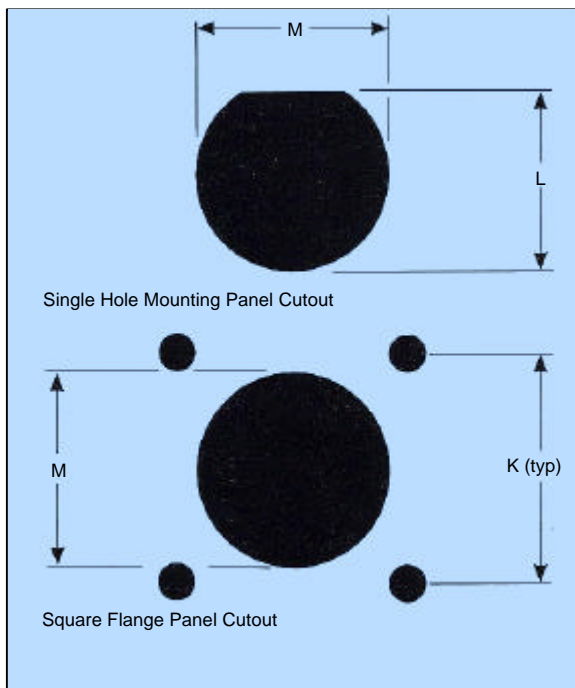
## Single Hole Mounting Receptacle (with Strain Relief Clamp)



Shell Size	A MAX	B	C	E MAX	F MAX	G ±.015 ±0.38	HØ MAX	J			
8	2.75	.138	.722	0.954	1.078	0.750	.473	.125			
	69.85			24.23	27.38	19.05	12.01				
10	2.75			1.078	1.203	.875	.590				
	69.85			27.38	30.56	22.22	14.99				
12	2.75			1.266	1.391	1.062	.750				
	69.85			32.16	35.33	27.05	19.05				
14	2.750			3.51	18.34	1.391	1.516		1.187	.875	3.17
	69.85			35.33	38.51	30.15	22.22		25.40		
16	2.900			1.516	1.641	1.312	1.000				
	73.66			38.51	41.68	33.32	28.57				
18	2.900			1.641	1.766	1.437	1.125				
	73.66			41.68	44.86	36.50	28.57				
20	3.200	1.828	1.954	1.562	1.250						
	81.28	46.43	49.63	39.67	31.75						
22	3.600	.168	.910	1.954	2.078	1.687	1.375	.250			
	91.44	4.27	23.11	49.63	52.78	42.85	34.92	6.35			
24	3.800	.943	2.078	2.203	1.812	1.500					
	96.52	23.95	52.78	55.96	46.02	38.10					

Note:  
Amphenol have the ability to respond to special requirements which can be dealt with directly with the factory

## Panel Cutouts (for all types of 482GB connectors)



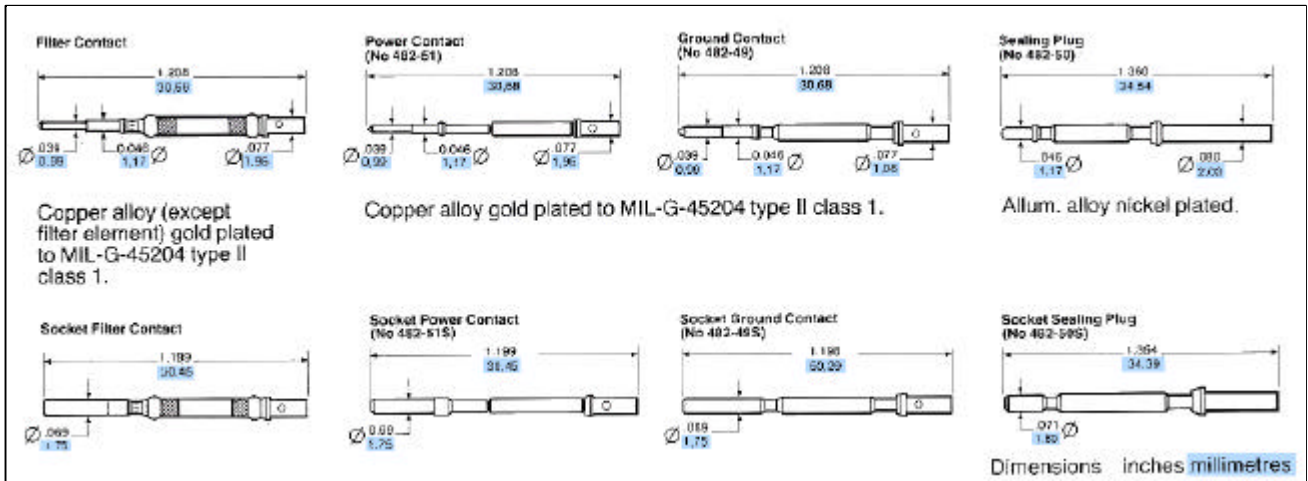
Shell Size	K ±.005	L +.010 -0.005	M +.010 -0.005
	±.013	+0.25 -0.13	+0.25 -0.13
8	0.594	0.540	0.572
	15.09	13.72	14.53
10	0.719	0.665	0.697
	18.26	16.89	17.70
12	0.812	0.828	0.885
	20.62	21.03	22.48
14	0.906	0.952	1.010
	23.01	24.18	25.65
16	0.969	1.076	1.135
	24.61	27.33	28.83
18	1.062	1.201	1.260
	26.97	30.51	32.00
20	1.156	1.326	1.385
	29.36	33.68	35.18
22	1.250	1.451	1.510
	31.75	36.86	38.35
24	1.375	1.576	1.635
	34.92	40.03	41.53

Maximum panel thickness is .125"  
for shell sizes 8 through 18, and  
.250" for shell sizes 20, 22 and 24.


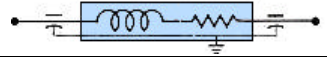
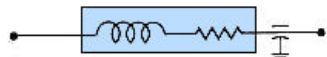
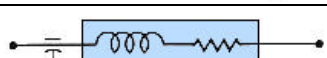
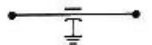
Dimensions Inches  
Millimetres



# 482 Series Contacts



## Contact Circuit Types

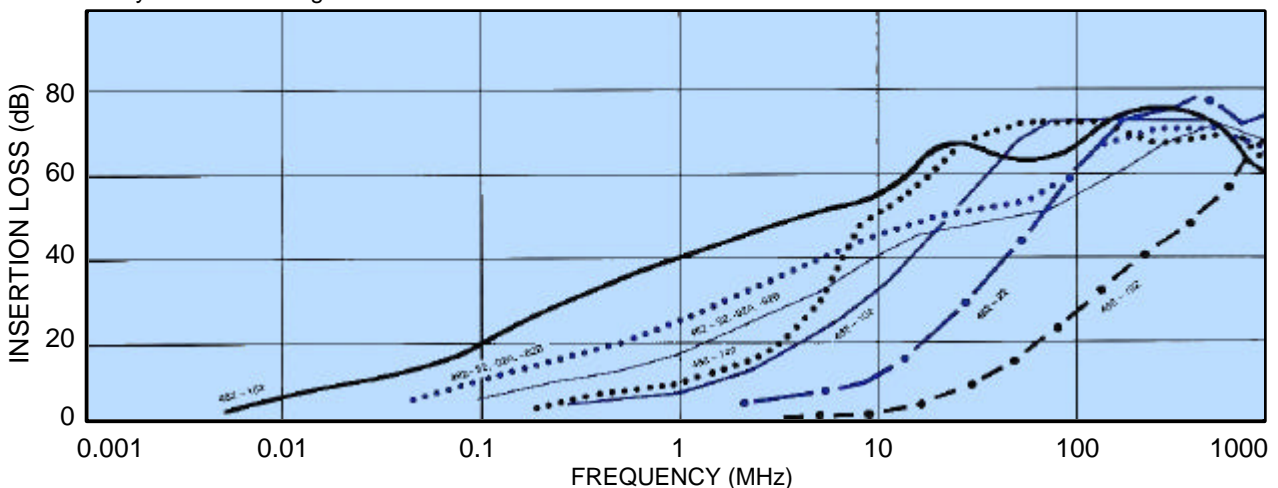
		Best Filtering Application
<b>P1</b>	FERRITE 	Unknown or medium source and load impedance
<b>LRC</b>	FERRITE 	Low source and high load impedance (EMI Direction →)
		High source and low load impedance (← EMI Direction)
<b>CLR</b>	FERRITE 	High source and low load impedance (EMI Direction →)
		Low source and high load impedance (← EMI Direction)
<b>C</b>		High source and high load impedance
High source or load impedance >100Ω      Low source or load impedance <100Ω		

## Typical Insertion Loss

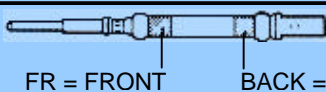
Tests performed in strict accordance with MIL-STD-220 (No-Load) on Contacts in a 482 Series Connector mated with a Standard Non-Filter Connector.

CAUTION – Comparison with other filter connector manufacturers data may be misleading unless the following factors are taken into account:

- (1) Is official (unmodified) MIL-STD-220 test method utilised as basis for performance depicted? - modification will result in an apparent (fictitious) higher response!
- (2) Is performance shown for filter contacts installed in connectors? – if performance is based on discrete (single) contacts tested to MIL-STD-220, higher levels of I.L. will be indicated due to the grounding limitations inherent in any connector design.



## Contact Specifications

CONTACT TYPE		FILTER							
Contact Part Number	Pin	482-192		482-22		482-102		482-142	
	Socket	482-192S		482-22S		482-102S		482-142S	
Colour Code		FR	BK	FR	BK	FR	BK	FR	BK
		Grn	Grn	Red	Red	Blu	Blu	Yel	Yel
Circuit Type		Pi							
Pass Band dc to 3dB cut-off frequency Fco =		15MHz		2.5MHz		400KHz		250KHz	
Capacitance (picofarads) @ 25°C - minimum @ 1KHz	(-) (+100%)	450		2500		15,000		20,000	
Working Voltage Sea Level  (50mA max. charging current)	@ 85°C	dc	200		100		50		
		ac (rms)	125		200		60		
	@ 125°C	dc	200		150		100		
		ac (rms)	125		60		30		
Dielectric Withstanding Voltage (dc) (50mA max. charging current)	@ 25°C	600		300		150			
Corona Withstanding Voltage (ac-rms) -minimum		-		300		100		-	
Insulation Resistance (gigaohms) -minimum	@ 25°C	10		5		10			
Current Rating (amperes) -maximum ** dc and low frequencies		5							
Filter rf Current (amperes) - minimum ** at any frequency		0.25							
Operating Temperature Range **	(°C)	-55 to +150							
Insertion Loss (decibels) @ 25°C - minimum per MIL-STD-220 (No Load) at (Performance in Mated Connectors) For Typical IL Curve See Page 8 (Results will vary with temperature source and load impedance)	0.1MHz	-		-		-		-	
	1MHz	-		-		5		9	
	10MHz	-		8		28		31	
	100MHz	24		56		65		60	
	1000MHz	55		62		55		55	
Crosstalk Attenuation (decibels) (coupling between contacts) - minimum at 100MHz	Power to Filter	25							
	Filter to Filter	60							

\* Consult AMPHENOL FACTORY if your filter needs are not reflected in this catalogue.

\*\* Upper limit is the maximum allowable internal hot spot temperature resulting from any combination of electrical load and ambient.

**Contact Specifications Contd**

FILTER																			POWER	
482-92		482-92A		482-92B		482-122		482-122A		482-122B		482-82		482-82A		482-82B		482-162		482-51
482-92S		482-92AS		482-92BS		482-122S		482-122AS		482-122BS		482-82S		482-82AS		482-82BS		482-162S		482-51S
FR	BK	FR	BK	FR	BK	FR	BK	FR	BK	FR	BK	FR	BK	FR	BK	FR	BK	FR	BK	N/A
Yel	Blu	-	Blu	Blu	-	Yel	Wht	-	Wht	Wht	-	Yel	Blk	-	Blk	Blk	-	Yel	Brn	
C		LRC		CLR		C		LRC		CLR		C		LRC		CLR		C		N/A
150KHZ				100KHz						70KHz				10KHz		N/A				
40,000				50,000						90,000				500,000		N/A				
200				100						30		700								
120				80						60		-	500							
200				100						30		700								
120				80						60		-	500							
600				300						90		2,000								
200				-						100		-	1000							
10				10						5.5		0.9	50							
5				7.5																
0.25				N/A																
-55 to +150																				
-	Same performance as for 'C' version under MIL-STD-220 but improved filtering offered for other Zs and ZI values				3.5	Same performance as for 'C' version under MIL-STD-220 but improved filtering offered for other Zs and ZI values				4	Same performance as for 'C' version under MIL-STD-220 but improved filtering offered for other Zs and ZI values				17	N/A				
14					16					21					37					
32					33					35					49					
42					45					47					49					
45					50					55					55					
25																				
60				N/A																

\* Consult AMPHENOL FACTORY if your filter needs are not reflected in this catalogue.

\*\* Upper limit is the maximum allowable internal hot spot temperature resulting from any combination of electrical load and ambient.

# Ordering Information

Ordering by Amphenol  
Part Number

**482GB - 1 3 E 22 - 55 P N - 104**

Series:  
482GB

Coupling Style:  
1 - Bayonet

Shell Styles:  
2 - Square Flange Receptacle  
3 - Single Hole Mounting Receptacle

Environmental Class:  
A - Plain shell, fixed contacts  
E - Grommet Seal, Gang contact insertion/removal  
F - Grommet Seal with strain Relief clamp, Gang contact insertion/removal

Contact Combination:  
(104) - Less Contacts with tin plating  
(662) - Less Contacts with olive drab plating  
(904) - Less Contacts but incl. Cable Clamp  
(XXX) - with fixed contacts, deviation signifies type of contacts and positions

Insert Position	Or	Keyway Position
N		N
W		B
X		C
Y		E
Z		F

Contact Style:  
P - Pin  
S - Socket

Insert Arrangements		
Shell Size	-	No. of Contacts
8	-	3 (33)
10	-	6
12	-	10
14	-	19
16	-	26
18	-	32
20	-	41
22	-	55
24	-	61

# Ordering Contacts Only

**482 - 82 S**

Series:  
482

Contact Type  
82  
Filter Contact - Refer to Pages 9 and 10  
Power Contact - 482-51  
Ground Contact - 482-49  
EMI Sealing Plug - 482-50

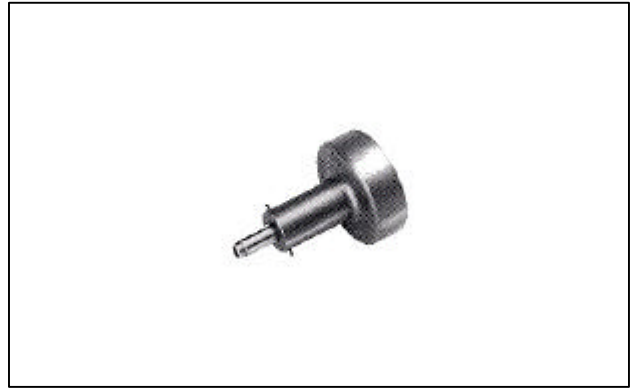
Contact Style:  
S - Socket  
Omit for Pin Style



## Tools



M22520/2-01  
Crimp Tool



494GB-0001  
Locator



Insertion Tool  
Pin Contact Tool – 494GB-0002  
Socket Contact Tool – 494GB-0003  
(494GB-0002 shown)



Removal Tool  
Pin Contact Tool – 494GB-0002  
Socket Contact Tool – 494GB-0003  
(494GB-0002 shown)

Amphenol Part Number	Description
Daniels	Crimp Tool (M22520/2-01)
494GB-0001	Crimp Tool Locator for use with 357-100 Crimp Tool
494GB-0002	Contact Insertion/Removal Tool for Pin Contacts
494GB-0003	Contact Insertion/Removal Tool for Socket Contacts

### Recommended Crimp Tool Setting

Contact Size	Wire Size	Crimp Jaw Setting
20	24	No. 6
	22	No. 7
	20	No. 7

### Recommended Panel Nut Torque Single Hole Fixing Connectors

Shell Size	8	10	12	14	16	18	20	22	24
Nm	3.73	4.07	6.78	7.34	8.25	9.26	11.98	13.90	15.03
Lbs.f.ins	33	36	60	65	73	82	106	123	133

### Recommended Cable Clamp Torque Shell Styles 12F/13F

Shell Size	8	10	12	14	16	18	20	22	24
Nm	2	2	2	2	2	3	3	3	3
Lbs.f.ins	17.7	17.7	17.7	17.7	17.7	26.6	26.6	26.6	26.6

# AMPHENOL

## 482 Series Assembly Instructions

### Step 1

Strip Wire to dimension shown in Fig. 1.

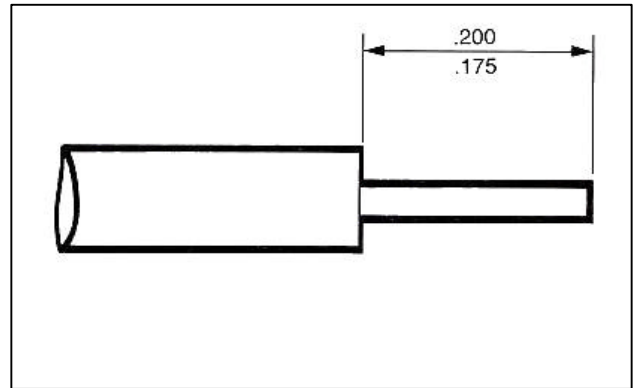


Fig.1

### Step 2

To crimp contact, firstly check jaw setting for wire size as indicated in table 1. Insert contact into crimp tool M22520/2-01. Place prepared wire into crimp barrel and close tool handle firmly (Fig. 2). Release tool handle and remove contact, the contact is now ready for use. Correct wire positioning may be checked through the inspection hole in crimp barrel.

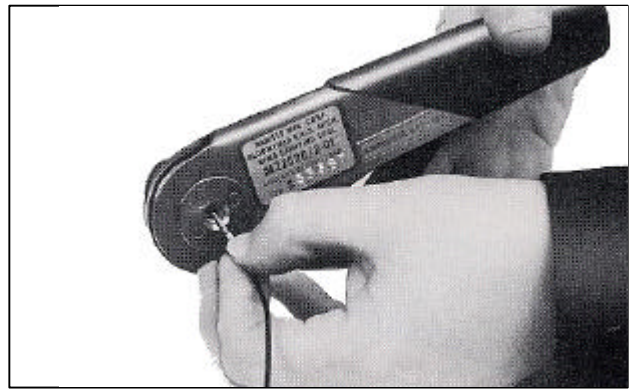


Fig. 2

### Step 3

The connector when removed from packaging will be in the "unlocked" position as indicated by the exposure of the red colour band on the shell. The connector is ready for contact insertion.

#### Note:

Inserting or removing contacts from a connector in the "locked" position will damage both contact and connector. If the connector is locked and the red band is not visible, follow "unlocking procedure in Step 7.

### Step 4

To insert the contact into the connector use 494GB-0002 tool for pin contacts and 494GB-0003 for socket contacts. Snap the contact crimp barrel into the insertion tool, the tool should rest on the bearing shoulder of the contact, dress the wire along the bore of the tool (Fig. 3)



Fig. 3

### Step 5

Insert the contact into the appropriate grommet location positioning the tool parallel with the axis of the connector and applying a steady force (Fig. 4). The contact is located when a click is heard and a stop is felt simultaneously. Withdraw the tool.

#### Note:

The contacts are held sufficiently to permit handling, the connector must be locked for operation.

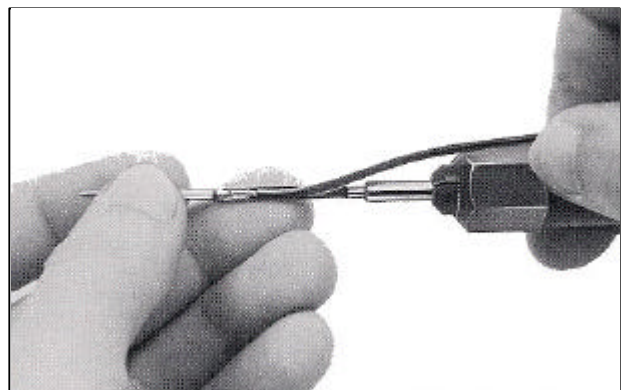


Fig. 4

**Step 6**

To lock the connector, push back and hold the detent spring tab (Fig. 5) and rotate the knurled lock nut clockwise – 2 turns. The tab will drop back into the slot. It should not be possible to rotate the knurled lock nut further than one full tab width past this position. The red indicator band will now be covered by the knurled lock ring. The connector is now ready for operation.

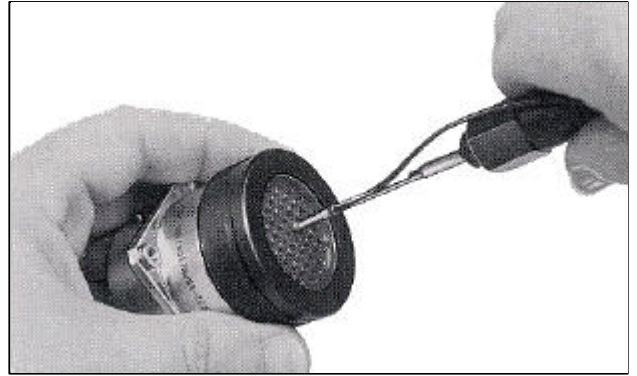


Fig. 5

**Step 7**

To remove the contact, unlock the connector by pushing back and holding the detent spring tab and rotating the knurled lock nut anti-clockwise – 2 turns, the red colour band is now visible.

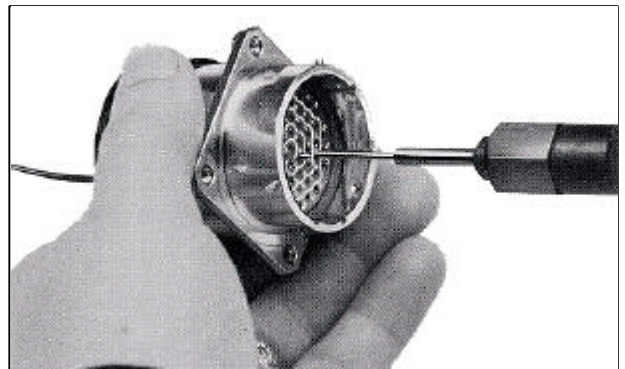


Fig. 6

**Step 8**

Position the contact removal tool over the contact (Fig. 6). Hold the tool parallel with the axis of the connector and apply a steady force until the contact releases. The contact can now be removed by gently pulling the wire from the rear of the connector (Fig. 7).

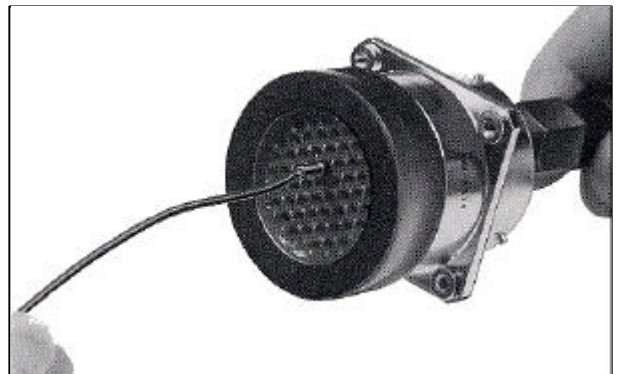


Fig. 7

**Notice:** Products are sold subject to Amphenol's Conditions of Sale ("the standard conditions"). All specifications and statements contained herein are believed to be correct at the time of printing but no representation or warranty, express or implied, is given as to any specification or statement contained herein. Product specifications including performance characteristics are typical only and subject to deviation. Specifications are also subject to change without notice. Users should not assume that all safety measures are indicated or that other measures may not be required. No representation or warranty, express or implied, is given that any use of products (including any stated or suggested use) does not infringe any patent, registered design or other third party rights and no stated or suggested use of products can be taken to recommend any such infringement.

**Amphenol**

Thanet Way, Whitstable, Kent. CT5 3JF Tel: 01227 773200 Fax: 01227 276571