

**DESIGNED & DIMENSIONED
IN MILLIMETERS**

DO NOT
SCALE FROM
THIS PRINT

MODS-F-8P8C-X-XX-X-X-TH-X

- TYPE
-F
- POSITIONS/CONTACTS
-8P8C: 8 POS/8 CON
- ⊕ PLATING
-L: .00015" GOLD
-S: .00030" GOLD
-U: .00050" GOLD
(SEE NOTE 4)
- SHIELDED
-S: NO PANEL GROUNDS
-S4: PANEL GROUNDS ON TOP
AND SIDE (SEE TABLE 2, SHEET
3 FOR SHIELD USED)
(LEAVE BLANK FOR UNSHIELDED)
- E & I OPTION
-R: RoHS COMPLIANT
- THROUGH HOLE
- LED 2
-X: CODE (SEE TABLE 1, SHEET 2)
(NOT AVAILABLE WITH -N)
-N: NO LED (SEE FIGURE 1)
- LED 1
-X: CODE (SEE TABLE 1, SHEET 2)
(NOT AVAILABLE WITH -N)
-N: NO LED (SEE FIGURE 1)

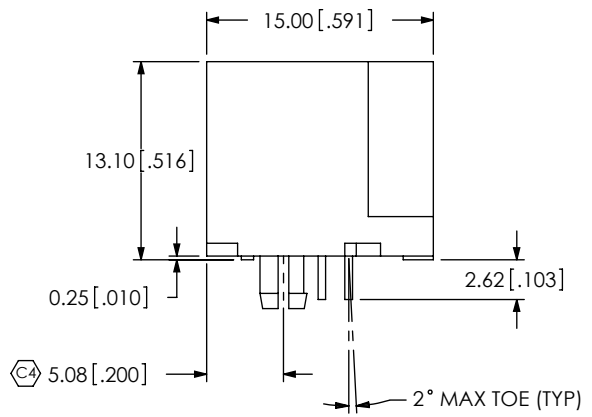
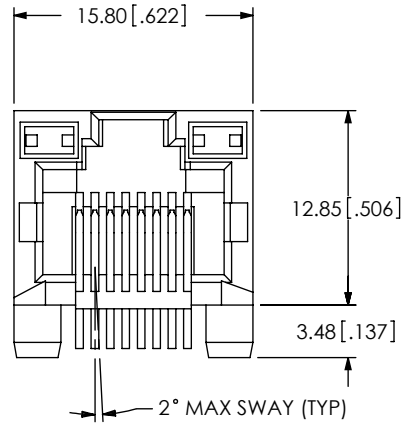
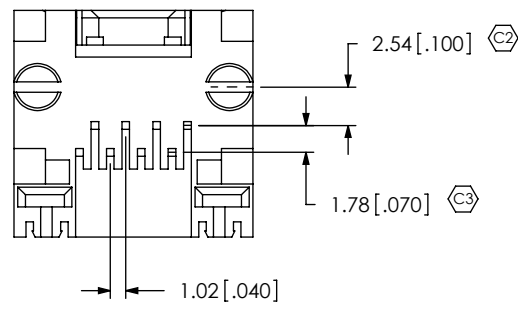



FIG. 1
MODS-F-8P8C-X-N-N-TH-R



- NOTES:
- ⊕ REPRESENTS A CRITICAL DIMENSION.
 - CRITICAL DIMENSIONS ON PCB LAYOUT APPLY TO THE ASSEMBLY.
 - LED FORWARD VOLTAGE IS 2.3V (TYP), REVERSE VOLTAGE IS 5V. FORWARD DC IS 20mA.
 - PLATING APPLIES TO MATING AREA. GOLD FLASH ON TAILS, ALL PLATING OVER NICKEL UNDERPLATE.
 - PIN NUMBERS REFLECT PIN CALLOUT ON THE CONNECTOR, NOT USER SYSTEM WIRING ASSIGNMENT.

<p>UNLESS OTHERWISE SPECIFIED, DIMENSIONS ARE IN MM. TOLERANCES ARE: DECIMALS ANGLES .XX: ±.25 [.010] 2° .XXX: ±.13 [.005] .XXXX: ±.05 [.002]</p>	<p>PROPRIETARY NOTE THIS DOCUMENT CONTAINS INFORMATION CONFIDENTIAL AND PROPRIETARY TO SAMTEC, INC. AND SHALL NOT BE REPRODUCED OR TRANSFERRED TO OTHER DOCUMENTS OR DISCLOSED TO OTHERS OR USED FOR ANY PURPOSE OTHER THAN THAT WHICH IT WAS OBTAINED WITHOUT THE EXPRESSED WRITTEN CONSENT OF SAMTEC, INC.</p>	 520 PARK EAST BLVD, NEW ALBANY, IN 47150 PHONE: 812-944-6733 FAX: 812-948-5047 e-Mail: info@SAMTEC.com code: 55322
<p>BY: B. COOPER 5/9/2007</p>		<p>SHEET 1 OF 4</p>

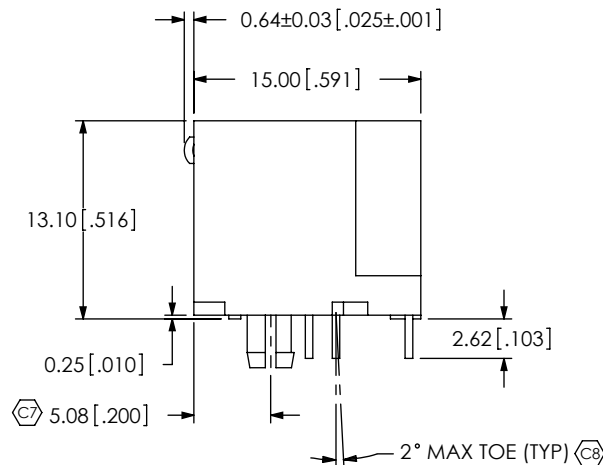
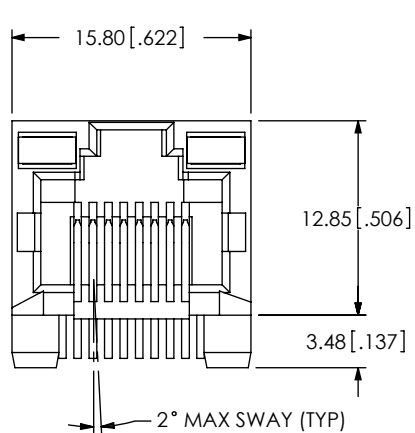


FIG. 2
MODS-F-8P8C-X-X-X-TH-R

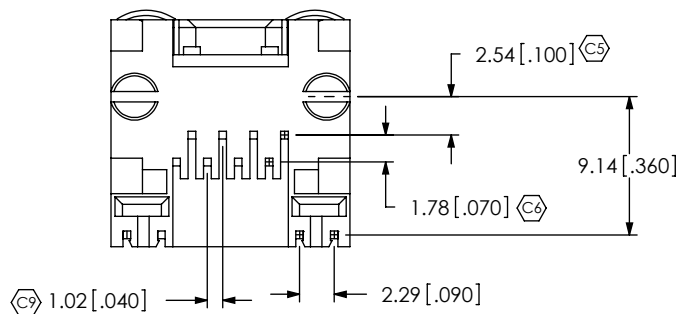


TABLE 1			
CODE	FORWARD	REVERSE	LED USED
G	GREEN	N/A	LED-G1-01-H
Y	YELLOW	N/A	LED-Y1-01-H
1	GREEN	ORANGE	LED-G2-01
2	YELLOW	ORANGE	LED-Y2-01
3	GREEN	RED	LED-G3-01
4	YELLOW	RED	LED-Y3-01
5	GREEN	YELLOW	LED-G4-01
6	YELLOW	GREEN	LED-Y4-01

PROPRIETARY NOTE
THIS DOCUMENT CONTAINS INFORMATION CONFIDENTIAL AND PROPRIETARY TO SAMTEC, INC. AND SHALL NOT BE REPRODUCED OR TRANSFERRED TO OTHER DOCUMENTS OR DISCLOSED TO OTHERS OR USED FOR ANY PURPOSE OTHER THAN THAT WHICH IT WAS OBTAINED WITHOUT THE EXPRESSED WRITTEN CONSENT OF SAMTEC, INC.

DO NOT SCALE DRAWING

SHEET SCALE: 2:1



520 PARK EAST BLVD, NEW ALBANY, IN 47150
PHONE: 812-944-6733 FAX: 812-948-5047
e-Mail: info@SAMTEC.com code: 55322

DESCRIPTION:
RJ45 SIDE ENTRY PCB JACK WITH LED

DWG. NO.
MODS-F-8P8C-X-XX-X-X-TH-X

BY: B. COOPER 5/9/2007 SHEET 2 OF 4

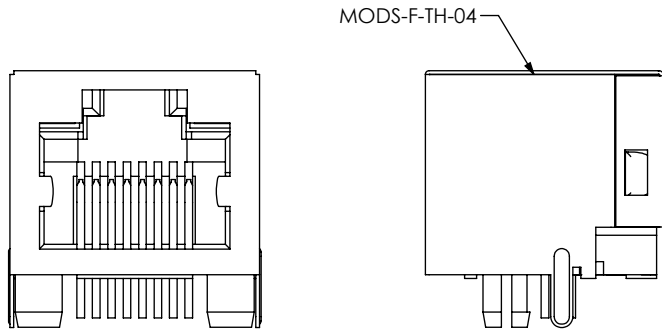


FIG. 3
MODS-F-8P8C-X-S-N-N-TH-R
(ALL DIMS SAME AS FIG 6)

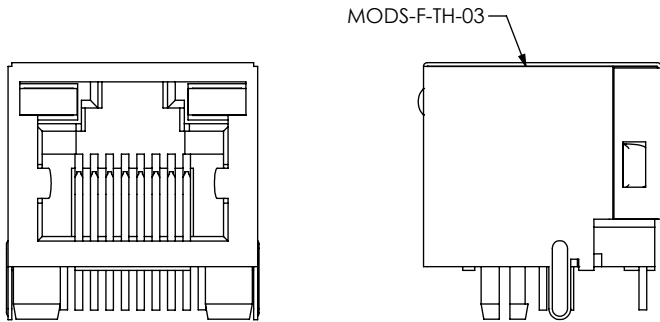


FIG. 4
MODS-F-8P8C-X-S-X-X-TH-R
(ALL DIMS SAME AS FIG 6)

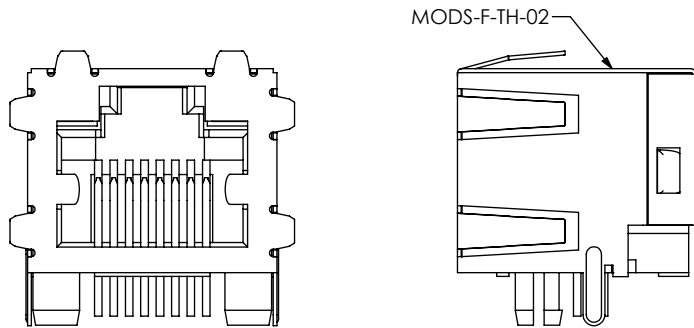


FIG. 5
MODS-F-8P8C-X-S4-N-N-TH-R
(ALL DIMS SAME AS FIG 6)

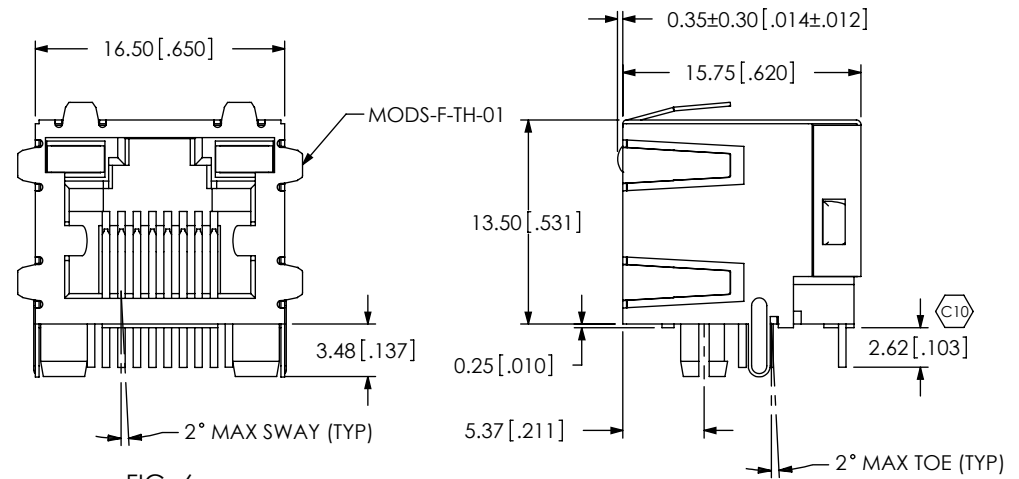
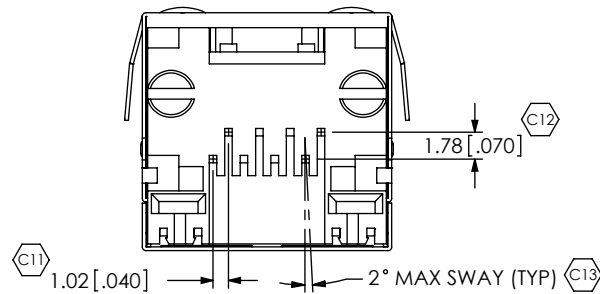


FIG. 6
MODS-F-8P8C-X-S4-X-X-TH-R



PROPRIETARY NOTE
THIS DOCUMENT CONTAINS INFORMATION CONFIDENTIAL AND PROPRIETARY TO SAMTEC, INC. AND SHALL NOT BE REPRODUCED OR TRANSFERRED TO OTHER DOCUMENTS OR DISCLOSED TO OTHERS OR USED FOR ANY PURPOSE OTHER THAN THAT WHICH IT WAS OBTAINED WITHOUT THE EXPRESSED WRITTEN CONSENT OF SAMTEC, INC.

DO NOT SCALE DRAWING

SHEET SCALE: 2:1

samtec

520 PARK EAST BLVD, NEW ALBANY, IN 47150
PHONE: 812-944-6733 FAX: 812-948-5047
e-Mail: info@SAMTEC.com code: 55322

DESCRIPTION:
RJ45 SIDE ENTRY PCB JACK WITH LED

DWG. NO.
MODS-F-8P8C-X-XX-X-X-TH-X

BY: B. COOPER 5/9/2007 SHEET 3 OF 4

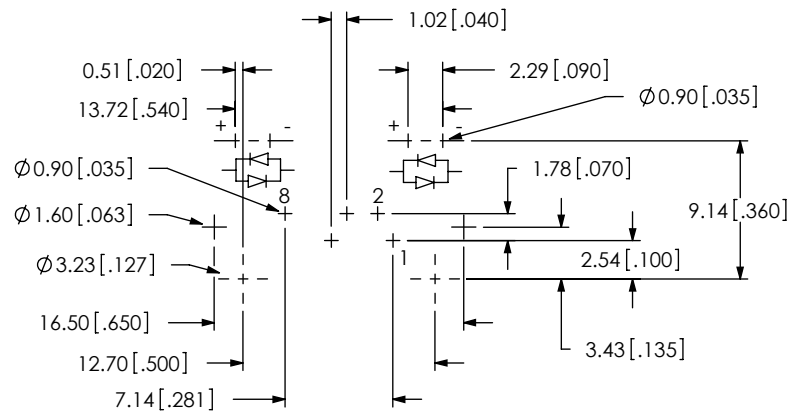


FIG. 7
PCB LAYOUT FOR
MODS-F-8P8C-X-XX-X-X-TH-R

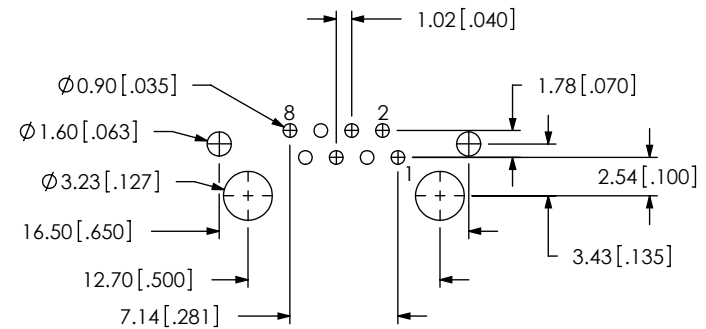


FIG. 8
PCB LAYOUT FOR
MODS-F-8P8C-X-XX-N-N-TH-R

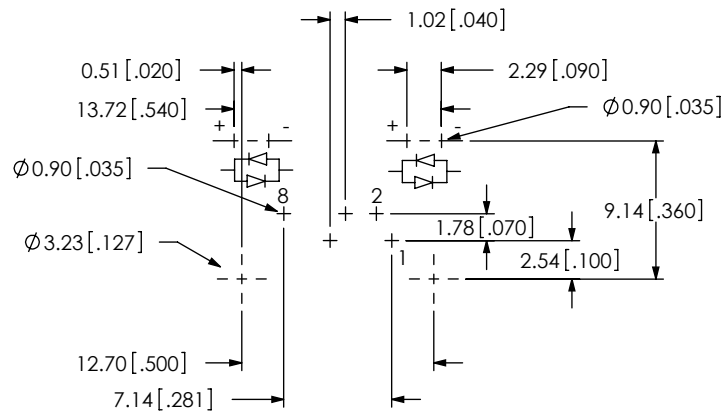


FIG. 9
PCB LAYOUT FOR
MODS-F-8P8C-X-X-X-TH-R

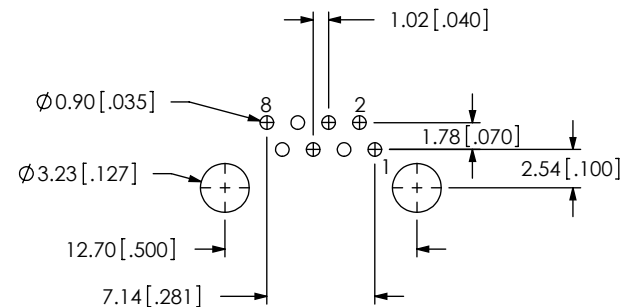


FIG. 10
PCB LAYOUT FOR
MODS-F-8P8C-X-N-N-TH-R

PROPRIETARY NOTE

THIS DOCUMENT CONTAINS INFORMATION CONFIDENTIAL AND PROPRIETARY TO SAMTEC, INC. AND SHALL NOT BE REPRODUCED OR TRANSFERRED TO OTHER DOCUMENTS OR DISCLOSED TO OTHERS OR USED FOR ANY PURPOSE OTHER THAN THAT WHICH IT WAS OBTAINED WITHOUT THE EXPRESSED WRITTEN CONSENT OF SAMTEC, INC.

DO NOT SCALE DRAWING

SHEET SCALE: 2:1



520 PARK EAST BLVD, NEW ALBANY, IN 47150
PHONE: 812-944-6733 FAX: 812-948-5047
e-Mail: info@SAMTEC.com code: 55322

DESCRIPTION:

RJ45 SIDE ENTRY PCB JACK WITH LED

DWG. NO.

MODS-F-8P8C-X-XX-X-X-TH-X

BY: B. COOPER 5/9/2007

SHEET 4 OF 4