

RCA Connector

SPECIFICATIONS

Mechanical

Mating Force: 4.00Kg(8.81Lb) max. (single port)
Unmating Force: 0.3~4Kg(0.66~8.81Lb) (single port)
Durability: 5000Cycles

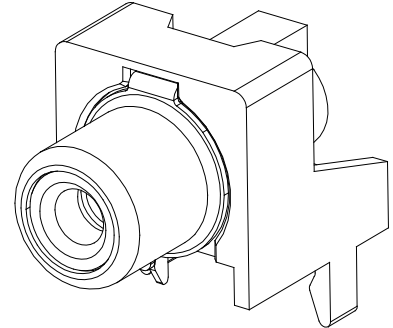
Electrical

Current Rating: 0.3A
Contact Resistance: 30mΩ max.(initial) 60mΩ max.(after test)
Dielectric Withstanding Voltage: 500V AC/1min min.
Insulation Resistance: 100MΩ min. (initial)
 50MΩ min.(after humidity test)

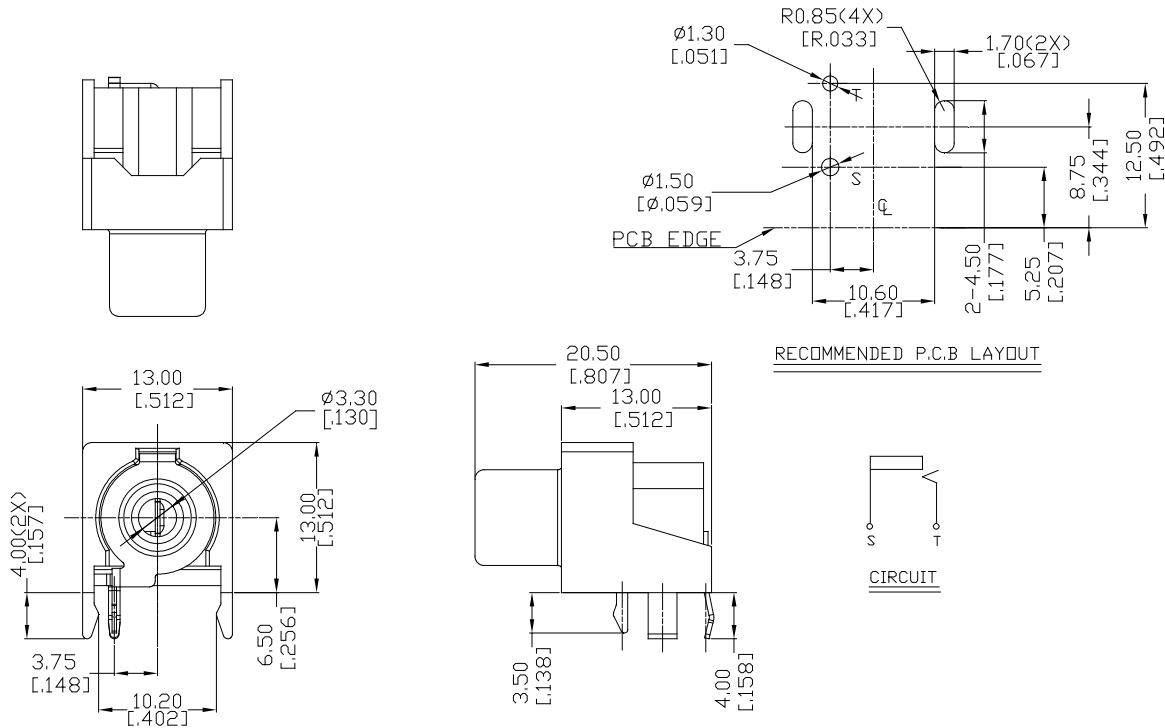
Physical

Housing: Thermoplastic, UL 94V-0 rated
Contact and Shell: Copper alloy
Plating: See "ORDERING INFORMATION"
Operating Temperature: -25°C to +70°C

RCA JACK Series
Right Angle, T/H
Single Structure



DRAWING



ORDERING INFORMATION

PRODUCT NO.	JR	1	1	0	3	0	-W	1	2	C-4	F
RCA JACK SERIES											LEAD FREE
TERMINATION TYPE											SOFT TRAY
1=RIGHT ANGLE											
CONTACT TYPE											NO SCREW HOLE/ NO PLATE
1=FEMALE											
SWITCH FUNCTION											COLOR CODE
0=:WITHOUT SWITCH											W
PLUGS DIAMETER											1*1 STRUCTURE
3= $\phi 3.20$ mm											
CONTACT AREA PLATING											CUSTOMER CODE
0=150U" Sn											