

SPECIFICATIONS

Mechanical

Mating Force: 1.5kg (3.3Lb) max.
Unmating Force: 1.2kg (2.64Lb) max.
Durability : 5000 Cycles

Electrical

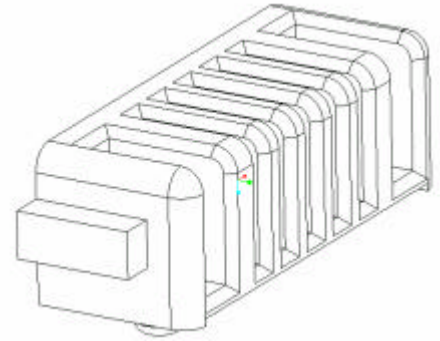
Voltage Rating: 30V max.
Current Rating: 7A max.
Contact Resistance: 20mW max.
Dielectric Withstanding Voltage: 500V
Insulation Resistance: 1000MW

Physical

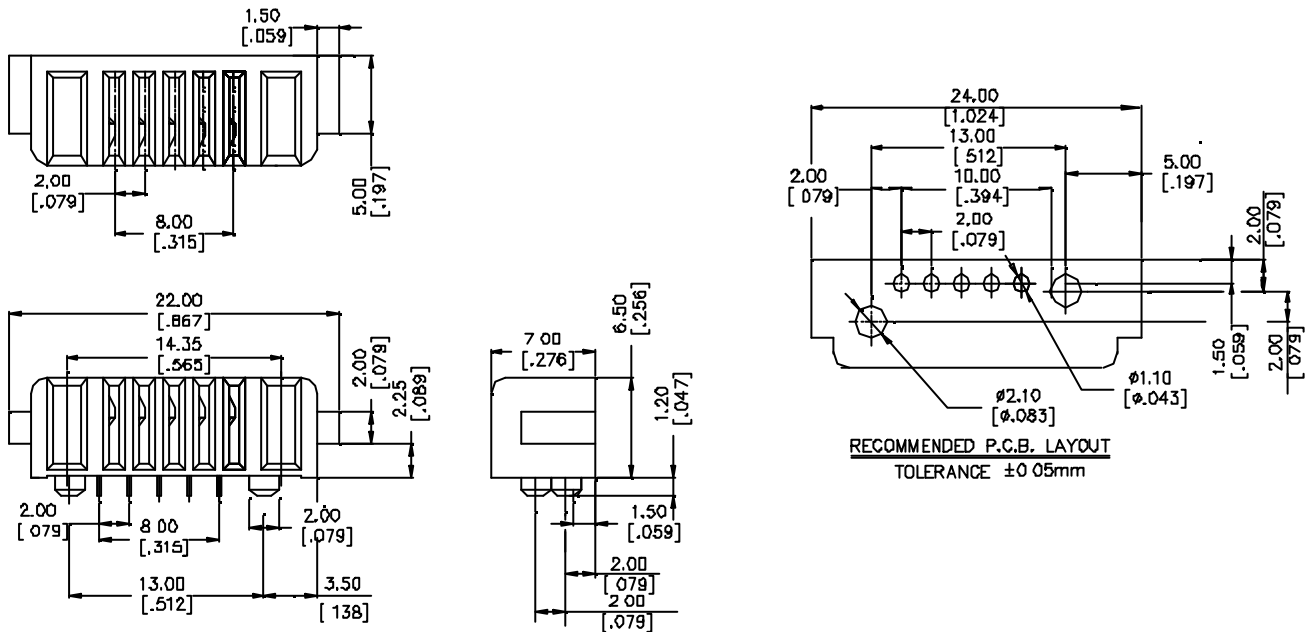
Housing: Thermoplastic, UL 94V-0
Contact: Copper alloy
Plating: See "ORDERING INFORMATION"
Metal Spring: Copper alloy
Operating Temperature: -40 to +75

BATTERY Connector

BP Series
T/H Type



DRAWING



ORDERING INFORMATION

PRODUCT NO.: BR0205A-T3-4F

