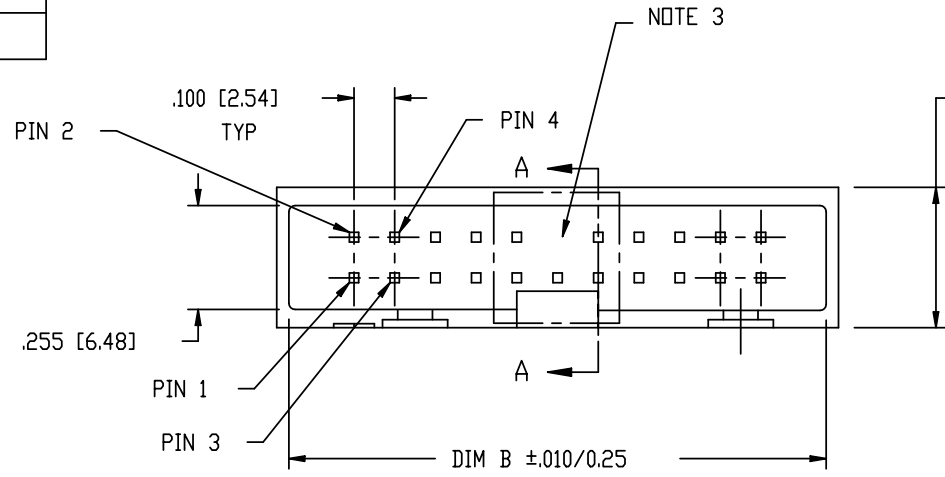
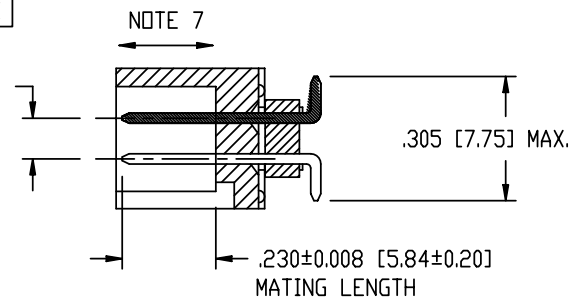


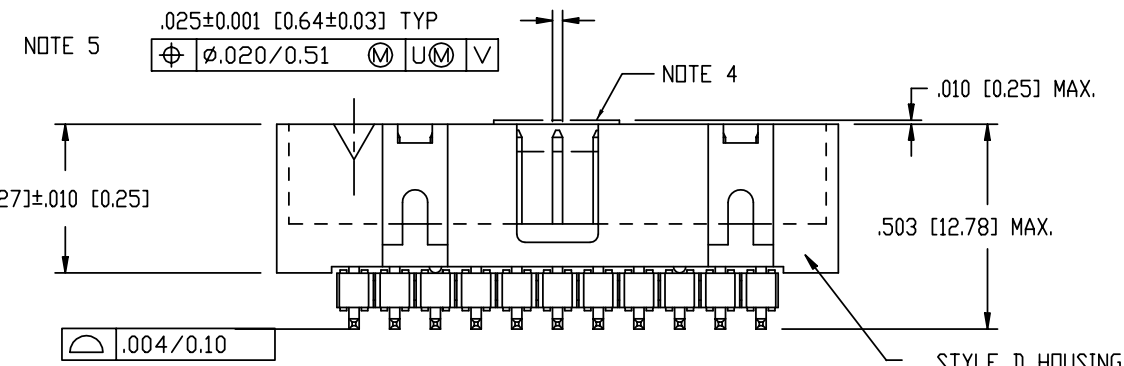
PRODUCT NO
SEE TABLE



.345 [8.76] REF
Ø.006/0.15 M X



SECTION A-A

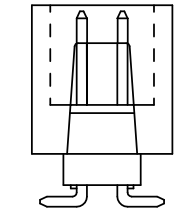
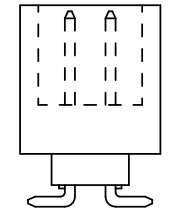


NOTE 5

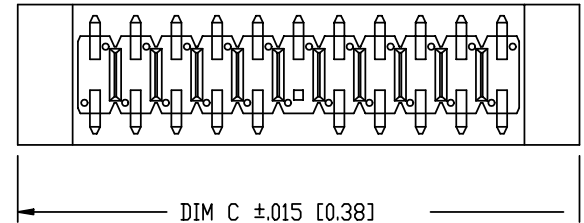
.025±0.001 [0.64±0.03] TYP
Ø.020/0.51 M U M V

NOTE 4

STYLE D HOUSING
SEE TABLE



w/WINDOW OPTION
SEE TABLE



DRAWN WITHOUT WINDOW OPTION

www.fciconnect.com			surface ISO 1302 ✓	tolerance std ISO 406 ISO 1101	projection ISO 1101	INCH/MM
			TOLERANCES UNLESS OTHERWISE SPECIFIED			
Dr	E.KROPWIENICK	08/21/96	ANGULAR	.XX±.01/.X±0.3	size	Scale
Eng	L.FYE	08/21/96	LINEAR	.XXX±.005/.XX±0.13	A3	31
Chr	T.BREWBAKER	08/21/96	0° ±°	.XXXX±.002/.XXX±0.051	ECN	N10-0327
Appr	T.BREWBAKER	08/21/96	Product family		Spec ref	
FCI title			QUICKIE II HDR. D/R SLIMLINE SMT ASSEMBLY		dwg no	72454
catalog no			CUSTOMER		sheet 1 of 4	
Rev.			AH			

rev	ecn no	dr	date
AB	M06-0269	MNR	07/17/06
AC	M06-0356	MNR	09/08/06
AD	M08-0108	MHT	04/17/18
AE	M08-0230	MHT	08/14/08
AF	M08-0291	MHT	10/08/08
AG	N10-0078	David	3/23/10
AH	N10-0327	AZH	09/23/10

1

2

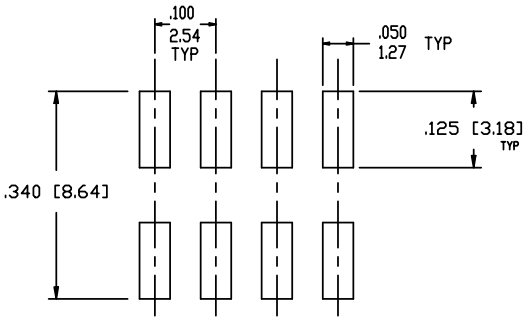
3

4

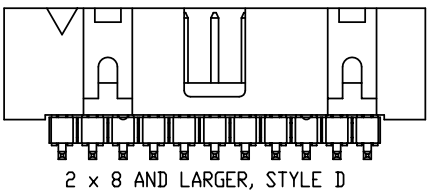
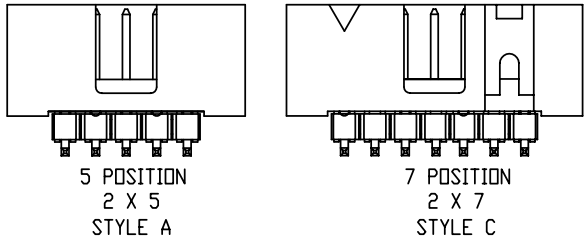
PRODUCT NO SEE TABLE	PLATING CODE	CONTACT AREA PLATING	SOLDER TAIL PLATING
	AA	30u"/.76u AU OVER 50u"/1.27u NI	100u"/2.54u TIN OVER 50u"/1.27u NI
	4	100u"/3.05u Sn OVER 50u"/1.27u NI	100u"/3.05u Sn OVER 50u"/1.27u NI

LEAD FREE PLATING	AA	30u"/.76u AU OVER 50u"/1.27u NI	100u"/2.54u TIN OVER 50u"/1.27u NI
	4	100u"/3.05u Sn OVER 50u"/1.27u NI	100u"/3.05u Sn OVER 50u"/1.27u NI

NOTE 11



RECOMMENDED PAD LAYOUT SCALE 4/1



NOTES:

- 1. BODY MATERIAL: PCT, GLASS FIBER REINFORCED, FLAME RETARDANT PER UL-94V-0.
COLOR: BLACK OR MINERAL FILLED LCP, FLAME RETARDANT PER UL-94V-0
COLOR: BLACK
- 2. PIN MATERIAL: PHOS-BRONZE.
- 3. PINS DELETED FROM SPECIFIED LOCATIONS FOR POLARIZATION. SEE TABLE FOR LOCATIONS.
- 4. PACKAGING OPTIONS: CHECK SPECIFIC PART NUMBERS FOR AVAILABILITY. PART NUMBERS WITHOUT A SUFFIX ARE PACKAGED IN TRAYS. PART NUMBERS FOLLOWED BY A "V" SUFFIX ARE PACKAGED TAPE-ON-REEL WITH A PICK-UP CAP INSTALLED. VACUUM CAP TO BE CENTRALLY LOCATED REGARDLESS OF NUMBER OF POSITIONS. PART NUMBERS FOLLOWED BY A "B" SUFFIX ARE ASSEMBLED WITH VACUUM PICK-UP CAPS INSTALLED AND PACKAGED IN TRAYS
- 5. MEASURED WITH PART IN RESTRAINED CONDITION.
- 6. TWO SIDES OF PIN TIPS NOT PLATED. TYPICAL BOTH ENDS (SIMPLEX PLATING ONLY).
- 7. 2 LBS/0.9KG MIN PIN RETENTION IN EITHER DIRECTION.
- 8. ADD "LF" SUFFIX AT THE END OF PART NUMBER FOR LEAD FREE OPTION.
- 9. THIS PRODUCT MEETS EUROPEAN UNION DIRECTIVES AND OTHER COUNTRY REGULATION AS DESCRIBED IN GS-22-008.
- 10. THE HOUSING WILL WITHSTAND EXPOSURE TO 260°C PEAK TEMPERATURE FOR 10-20 SECONDS IN A CONVECTION, INFRA-RED OR VAPOR PHASE REFLOW OVEN. SEE APPLICATION NOTES/PROCEDURES IF THEY ARE AVAILABLE.
- 11. "THIS PRODUCT HAS 100% TIN PLATING IN THE INTERFACE AND HAS NOT BEEN TESTED FOR WHISKER GROWTH IN ALL INTERCONNECT ENVIRONMENTS."



Copyright FCI.

www.fciconnect.com			surface ISO 1302	tolerance std ISO 406 ISO 1101	projection INCH/MM
			TOLERANCES UNLESS OTHERWISE SPECIFIED		←→
Dr	E.KROPWIENICK	08/21/96	ANGULAR	.xx±.01/.X±0.3	size A3
Eng	L.FYE	08/21/96	LINEAR	.xxx±.005/.xxx±0.13	Scale 2:1
Chr	T.BREWBAKER	08/21/96	0° ±*	.xxxx±.002/.xxx±0.051	ECN N10-0327
Appr	T.BREWBAKER	08/21/96	Product family	Spec ref	
FCI			title QUICKIE II HDR, D/R SLIMLINE SMT ASSEMBLY		dwg no 72454
catalog no			CUSTOMER	sheet 2 of 4	

REV F - 2006-04-17

1

2

PDM: Rev:AH

STATUS Released

Printed: Apr 12, 2011

1

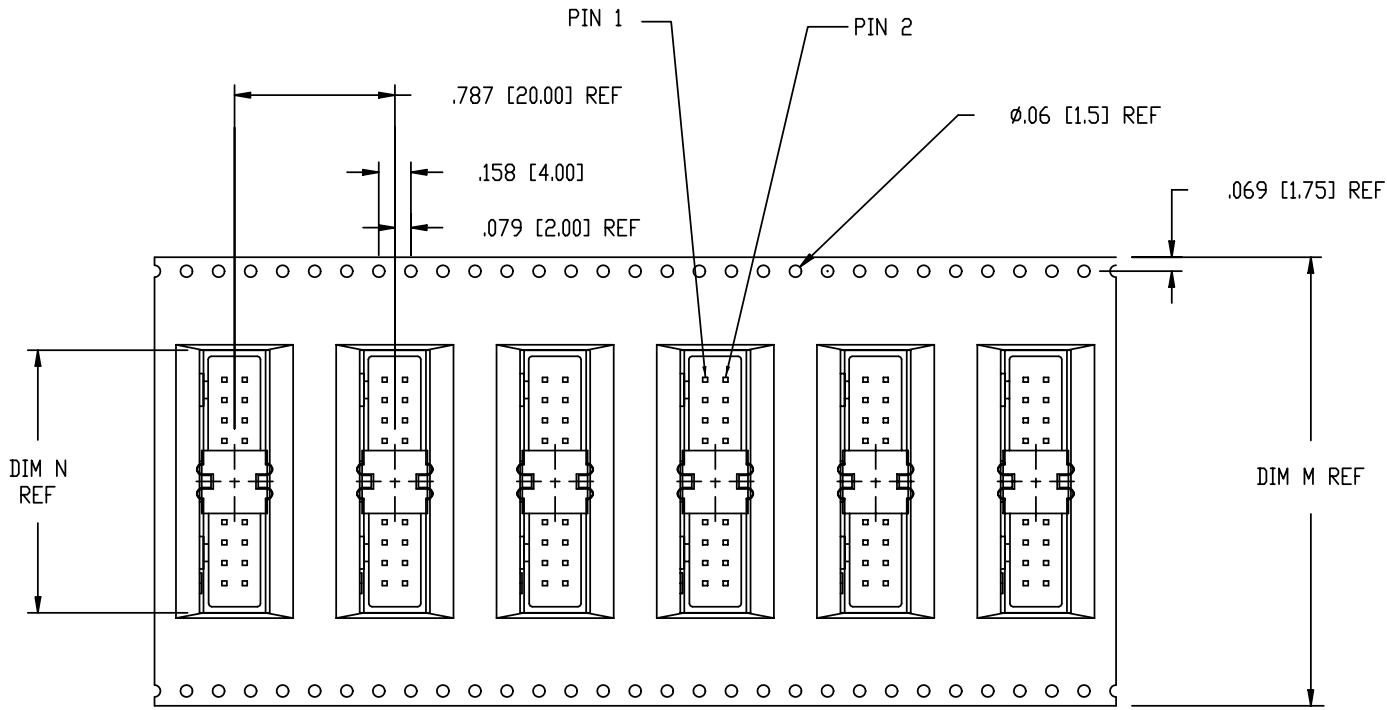
2

3

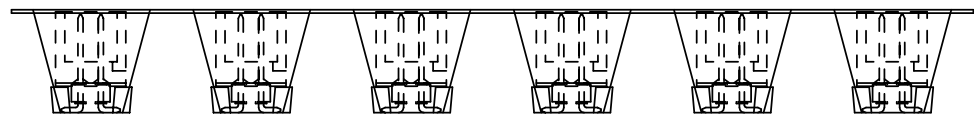
4

PRODUCT NO

SEE TABLE



UN-REELING DIRECTION OF FEED →



Copyright FCI.

www.fciconnect.com			surface ISO 1302	tolerance std ISO 406 ISO 1101	projection ⊕	INCH/MM
			TOLERANCES UNLESS OTHERWISE SPECIFIED		size A3	Scale 2:1
Dr	E.KRDPWIENICK	08/21/96	ANGULAR	.XX±.01/.X±0.3		
Eng	L.FYE	08/21/96	LINEAR	.XXX±.005/.XX±0.13		
Chr	T.BREWBAKER	08/21/96	0° ±°	.XXXX±.002/.XXX±0.051	ECN	N10-0327
Appr	T.BREWBAKER	08/21/96	Product family		Spec ref	
FCI			title QUICKIE II HDR. D/R SLIMLINE SMT ASSEMBLY		dwg no 72454	Rev. AH
catalog no			CUSTOMER		sheet 3 of 4	

REV F - 2006-04-17

1

2

PDM: Rev:AH

STATUS: Released

Printed: Apr 12, 2011

1

2

3

4

PRODUCT NUMBER	NO. OF POSITIONS	DIM B	DIM C	STYLE	POLARIZED POSITION	WINDOW OPTION	PLATING CODE	PACKAGING	TAPE WIDTH DIM M	POCKET DEPTH	DIM N	LEAD FREE OPTION
72454-008	2 X 4	.610/15.50	.690/15.33	A	-	N	AA	TRAY	--	--	--	NOTE 8,9
72454-010	2 X 5	.710/18.03	.790/20.07	A	-	N	AA	TRAY	--	--	--	
72454-010V	2 X 5	.710/18.03	.790/20.07	A	-	N	AA	TAPE ON REEL	1.260/32.00	.515/13.08	.790/20.07	
72454-014	2 X 7	.910/23.11	.99/25.2	C	-	N	AA	TRAY	--	--	--	
72454-014V	2 X 7	.910/23.11	.99/25.2	C	-	N	AA	TAPE ON REEL	1.732/44.00	.515/13.08	1.090/27.69	
72454-016	2 X 8	1.010/25.65	1.090/27.69	D	-	N	AA	TRAY	--	--	--	
72454-016V	2 X 8	1.010/25.65	1.090/27.69	D	-	N	AA	TAPE ON REEL	1.732/44.00	.515/13.08	1.090/27.69	
72454-020	2 X 10	1.210/30.73	1.290/32.77	D	-	N	AA	TRAY	--	--	--	
72454-020V	2 X 10	1.210/30.73	1.290/32.77	D	-	N	AA	TAPE-ON-REEL	2.205/56.00	.505/12.83	1.290/32.77	
72454-021	2 X 11	1.310/33.27	1.390/35.31	D	12	N	AA	TRAY	--	--	--	
72454-022	2 X 11	1.310/33.27	1.390/35.31	D	-	N	AA	TRAY	--	--	--	
72454-024	2 X 12	1.410/35.81	1.490/37.9	D	-	N	AA	--	--	--	--	
72454-024V	2 X 12	1.410/35.81	1.490/37.9	D	-	N	AA	TAPE-ON-REEL	2.205/56.00	.515/13.08	1.490/37.85	
72454-026	2 X 13	1.510/38.35	1.590/40.39	D	-	N	AA	TRAY	--	--	--	
72454-030	2 X 15	1.710/43.43	1.790/45.47	D	-	N	AA	TRAY	--	--	--	
72454-030V	2 X 15	1.710/43.43	1.790/45.47	D	-	N	AA	TAPE-ON-REEL	2.834/72.00	0.787/20.00	1.771/45.00	
72454-034	2 X 17	1.910/48.51	1.990/50.60	D	-	N	AA	TRAY	--	--	--	
72454-040	2 X 20	2.210/56.13	2.290/58.17	D	-	N	4	TRAY	--	--	--	
72454-040V	2 X 20	2.210/56.13	2.290/58.17	D	-	N	4	TAPE-ON-REEL	3.465/88.00	0.787/20.00	2.290/58.25	
72454-041	2 X 20	2.210/56.13	2.290/58.17	D	-	N	AA	TRAY	--	--	--	
72454-044	2 X 22	2.410/61.21	2.490/63.25	D	-	N	AA	TRAY	--	--	--	
72454-050	2 X 25	2.710/68.83	2.790/70.87	D	-	N	AA	TRAY	--	--	--	
72454-051	2 X 10	1.210/30.73	1.290/32.77	D	-	Y	AA	TRAY	--	--	--	
72454-051V	2 X 10	1.210/30.73	1.290/32.77	D	-	Y	AA	TAPE-ON-REEL	2.205/56.00	.505/12.83	1.290/32.77	
72454-052	2 X 20	2.210/56.13	2.290/58.17	D	20	N	AA	TRAY	--	--	--	
72454-053V	2 X 5	0.710/18.03	0.790/20.07	A	9	N	AA	TAPE ON REEL	1.260/32.00	.515/13.08	.790/20.07	

NOTE 8,9



Copyright FCI

www.fciconnect.com			surface ISO 1302	tolerance std ISO 406 ISO 1101	projection ⊕	INCH/MM
TOLERANCES UNLESS OTHERWISE SPECIFIED			ANGULAR	LINEAR	size A3	Scale 3:1
Dr	E.KRDPWIENICK	08/21/96	0°	±°	ECN	N10-0327
Eng	L.FYE	08/21/96	Product family		Spec ref	
Chr	T.BREWBAKER	08/21/96	QUICKIE II HDR. D/R SLIMLINE SMT ASSEMBLY		dwg no 72454	Rev. AH
Appr	T.BREWBAKER	08/21/96	catalog no		CUSTOMER	sheet 4 of 4

REV F - 2006-04-17

1

2

PDM: Rev:AH

STATUS Released

Printed: Apr 12, 2011