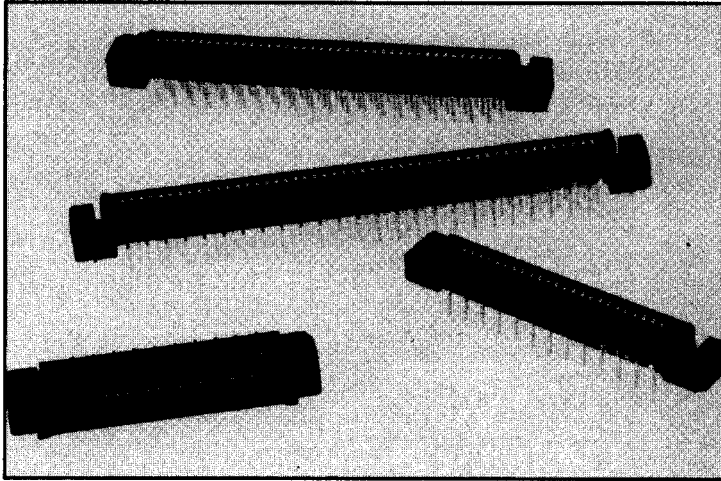


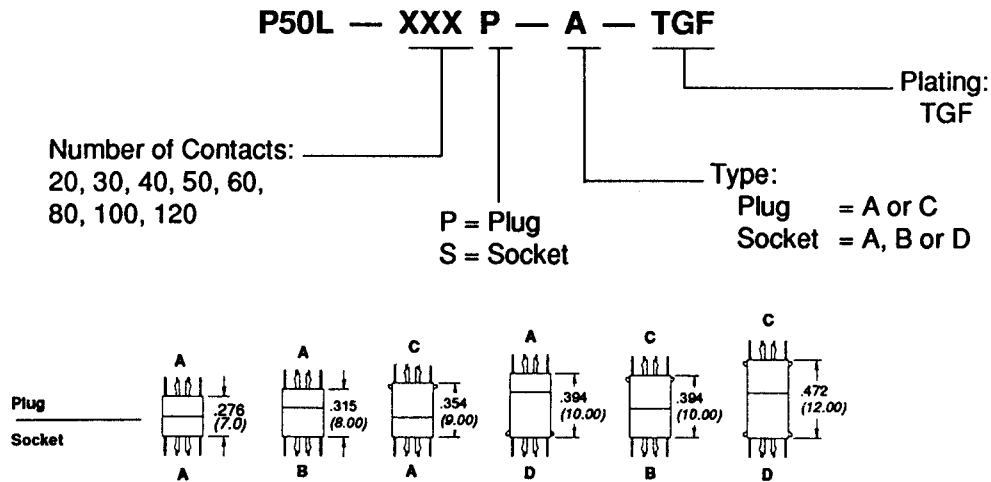
Low Profile 2-Piece Connectors

P50L Series



- Low profile .276" - .472" (7-12mm) mated heights to address board stacking applications
- Eight sizes, 20-120 contacts
- High-temp insulator compatible with IR and wave soldering
- Low insertion/withdrawal forces
- Audible "click" ensures complete mating
- Retention clips maintain stability to board under wave solder

How to Order P50L Series



MATED HEIGHT	.276" (7.0 mm)	.315" (8.0 mm)	.354" (9.0 mm)	.394" (10.0 mm)	.394" (10.0 mm)	.472" (12.0 mm)
PLUG	P50L-XXXXP-A-TGF	P50L-XXXXP-A-TGF	P50L-XXXXP-C-TGF	P50L-XXXXP-A-TGF	P50L-XXXXP-C-TGF	P50L-XXXXP-C-TGF
SOCKET	P50L-XXXXS-A-TGF	P50L-XXXXS-B-TGF	P50L-XXXXS-A-TGF	P50L-XXXXS-D-TGF	P50L-XXXXS-B-TGF	P50L-XXXXS-D-TGF

Materials:

Body: PPS
Oxygen Index Rating: 45%
Contacts: Phosphor Bronze

Performance Characteristics:

Insertion Force: 3.36 oz./pin maximum
Withdrawal Force: 0.49 oz./pin minimum
Contact Resistance: 40 milliohms maximum
Insulation Resistance: 1000 milliohms minimum
Dielectric Withstanding Voltage: 650 volts AC
Current Rating: 0.5 ampere/pin
Flammability: UL 94V-0
Temperature Ranges: -55°C to + 105°C

Plating Description:

Suffix TGF = 3 μinch (.076 μm) minimum
Gold on contact area
80 μinch (2.03 μm) minimum
Tin on terminal area
Underplate of 80 μinch (2.03 μm) minimum Nickel