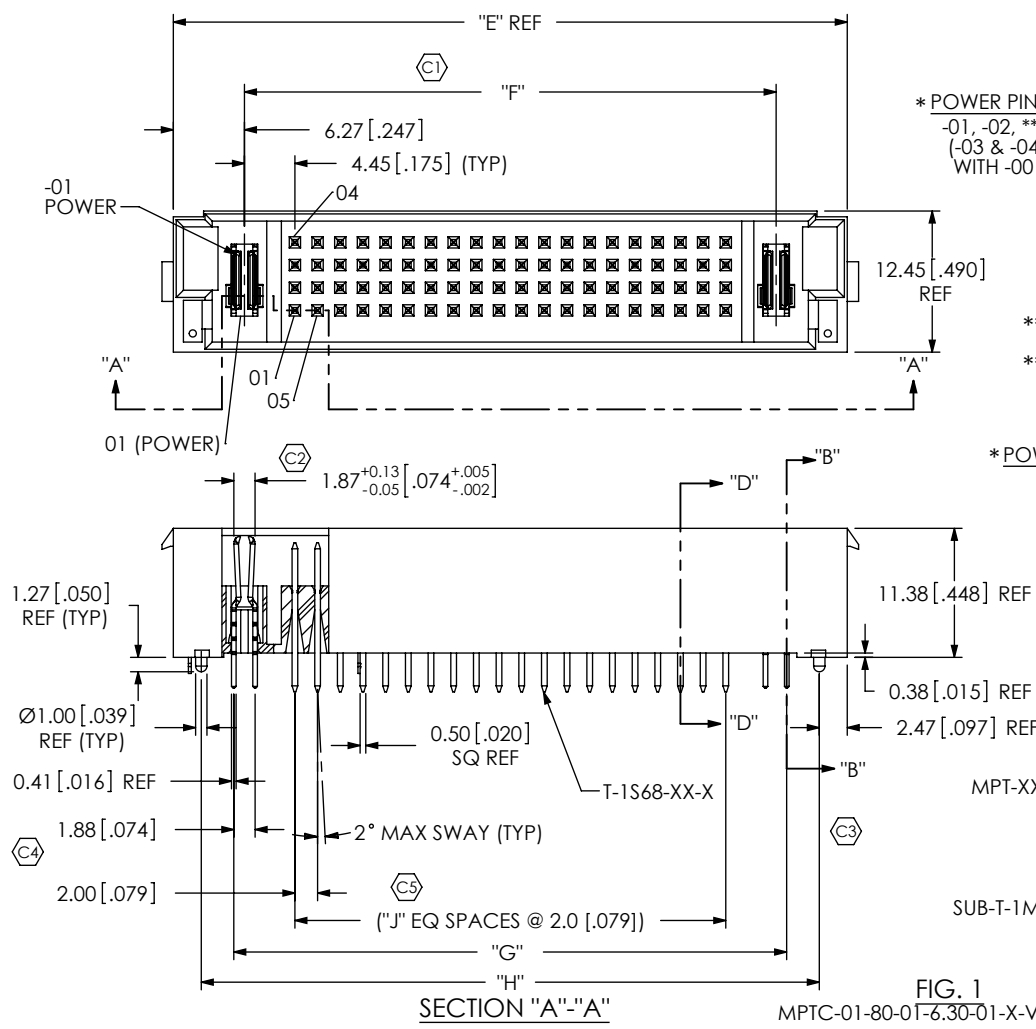


DESIGNED & DIMENSIONED
IN MILLIMETERS

DO NOT
SCALE FROM
THIS PRINT



MPTC-XX-XX-XX-6.30-XX-X-V-XX

- * POWER PINS (PER END)
-01, -02, ***-03, ***-04
(-03 & -04 AVAILABLE ONLY
WITH -00 ON OPPOSITE END)
- * SIGNAL PINS
-80 (4 X 20)
-48 (4 X 12)
-36 (4 X 9)
-24 (4 X 6)
*** -20 (4 X 5)
-16 (4 X 4)
*** -12 (4 X 3)
-08 (4 X 2)
-04 (4 X 1)

OPTION
-LC: LOCKING CLIP
(USE LC-07-TM)
(SEE FIG. 2, SHT 2)

VERTICAL
PLATING SPECIFICATION
-L: SEE TABLE 3
-T: SEE TABLE 3

TAIL LENGTH
-01: FOR 1.57[.062] THICK PCB
(USE SUB-T-1M39-06.30-01-X)
** -02: FOR 3.18[.125] THICK PCB
(USE SUB-T-1M39-06.30-02-X)
-03: FOR 2.36[.093] THICK PCB
(USE SUB-T-1M39-06.30-03-X)

* POWER PINS (PER END)
-00, -01, -02,
LEAD STYLE
-6.30: 6.30MM

* = SEE TABLE 2 FOR AVAILABLE COMBINATIONS
** = NOT TOOLED
*** = NOT RELEASED FOR PRODUCTION

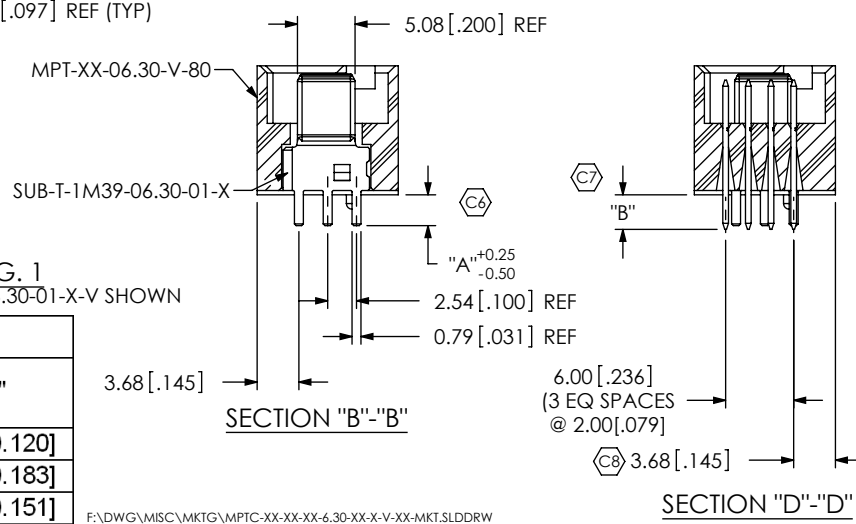
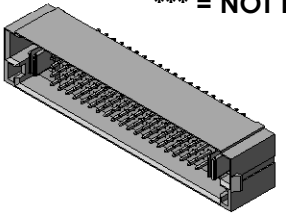


TABLE 1

PART NUMBER	POWER TERMINAL SUB-ASSEMBLY	SIGNAL TERMINAL	"A"	"B"
MPTC-XX-XX-XX-6.30-01-X-V-XX	SUB-T-1M39-06.30-01-X	T-1S68-05-L	2.72 [0.107]	3.05 [0.120]
** MPTC-XX-XX-XX-6.30-02-X-V-XX	SUB-T-1M39-06.30-02-X	T-1S68-09-L	4.32 [0.170]	4.66 [0.183]
MPTC-XX-XX-XX-6.30-03-X-V-XX	SUB-T-1M39-06.30-03-X	T-1S68-10-L	3.51 [0.138]	3.84 [0.151]

** = NOT TOOLED
*** = NOT RELEASED FOR PRODUCTION



NOTES:

- ⊕ REPRESENTS A CRITICAL DIMENSION.
- BURR ALLOWANCE: 0.038[.0015] MAX.
- MINIMUM PUSHOUT FORCE: 2.22N [.5 LB].
- PARTS TO BE PACKAGED IN TRAYS.
- BOW ALLOWED AT 0.002 MM/MM [.002 IN/IN]

UNLESS OTHERWISE SPECIFIED,
DIMENSIONS ARE IN MILLIMETERS.
TOLERANCES ARE:
DECIMALS ANGLES
.X: ±0.3 [.01] 2°
.XX: ±0.13 [.005]
.XXX: ±0.051 [.0020]

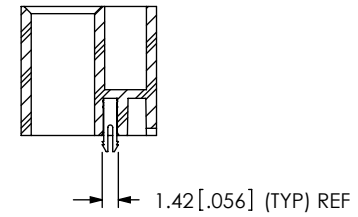
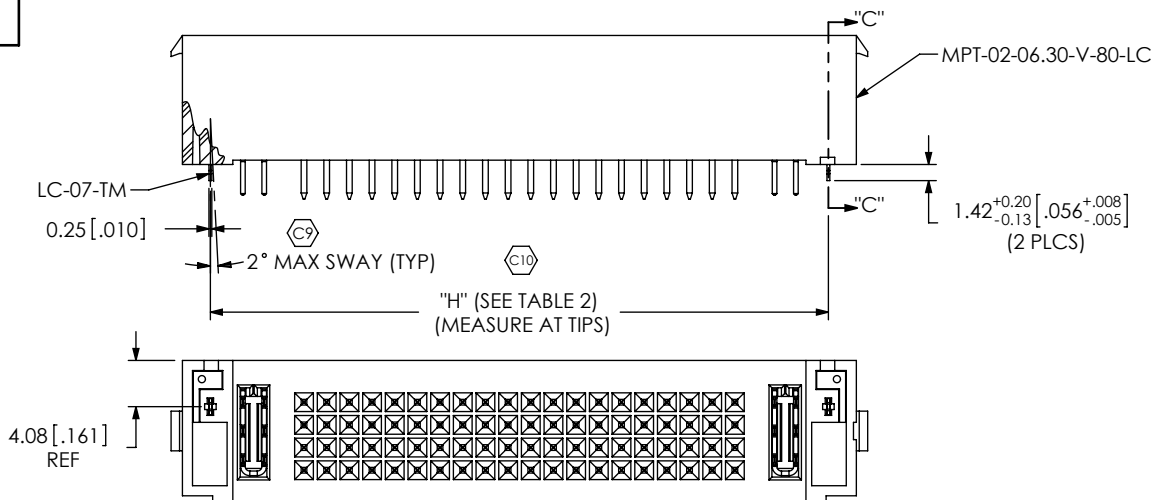
PROPRIETARY NOTE
THIS DOCUMENT CONTAINS INFORMATION
CONFIDENTIAL AND PROPRIETARY TO
SAMTEC, INC. AND SHALL NOT BE REPRODUCED
OR TRANSFERRED TO OTHER DOCUMENTS OR
DISCLOSED TO OTHERS OR USED FOR ANY
PURPOSE OTHER THAN THAT WHICH IT WAS
OBTAINED WITHOUT THE EXPRESSED WRITTEN
CONSENT OF SAMTEC, INC.

samtec
520 PARK EAST BLVD, NEW ALBANY, IN 47150
PHONE: 812-944-6733 FAX: 812-948-5047
e-Mail: info@SAMTEC.com code: 55322

MATERIAL: DO NOT SCALE DRAWING SHEET SCALE: 1:0.666667
INSULATOR: LCP, COLOR: BLACK
TERMINAL: COPPER ALLOY
SIGNAL PIN: PHOS BRONZE

DESCRIPTION:
VERTICAL POWER TERMINAL
DWG. NO.
MPTC-XX-XX-XX-6.30-XX-X-V-XX
BY: CLAY W 2/2/2007 SHEET 1 OF 3

F:\DWG\MISC\MKTG\MPTC-XX-XX-XX-6.30-XX-X-V-XX-MKT.SLDDRW



SECTION "C"-"C"

FIG. 2
MPTC-01-80-01-6.30-01-X-V-LC SHOWN
(SAME AS FIG. 1, UNLESS OTHERWISE STATED)

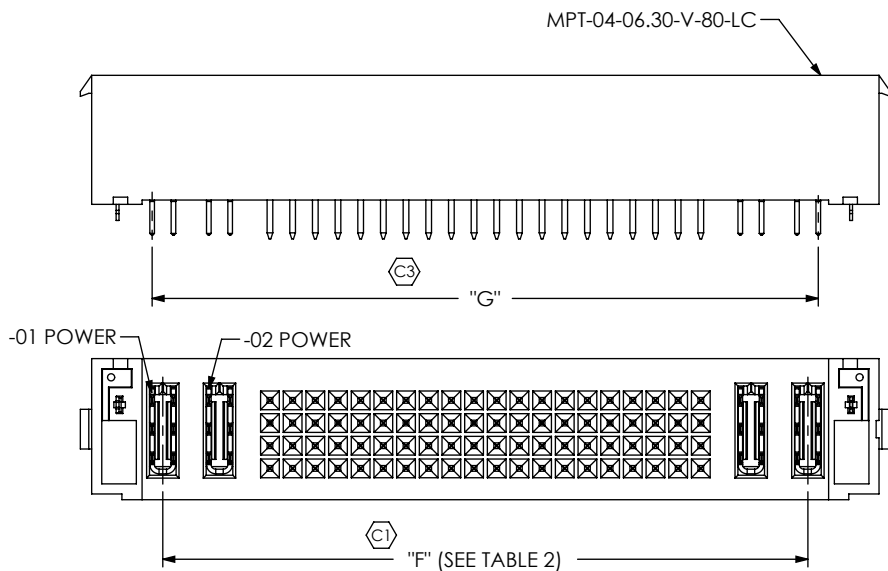


FIG. 3
MPTC-02-80-02-6.30-01-X-V-LC SHOWN
(SAME AS FIG. 1, UNLESS OTHERWISE STATED)

PART NUMBER	BODY	"E"	"F"	"G"	"H"	"J"
MPTC-01-04-01-X-XX-XX-X-V-XX	MPT-02-06.30-V-04	21.44 [0.844]	8.89 [0.350]	10.77 [0.424]	16.51 [0.650]	N/A
MPTC-02-04-02-X-XX-XX-X-V-XX	MPT-04-06.30-V-04	31.44 [1.238]	18.89 [0.744]	20.77 [0.818]	26.51 [1.044]	N/A
MPTC-01-08-01-X-XX-XX-X-V-XX	MPT-02-06.30-V-08	23.44 [0.923]	10.89 [0.429]	12.77 [0.503]	18.51 [0.729]	1
MPTC-02-08-02-X-XX-XX-X-V-XX	MPT-04-06.30-V-08	33.44 [1.317]	20.89 [0.822]	22.77 [0.896]	28.51 [1.122]	1
MPTC-01-16-01-X-XX-XX-X-V-XX	MPT-02-06.30-V-16	27.44 [1.080]	14.89 [0.586]	16.77 [0.660]	22.51 [0.886]	3
MPTC-02-16-02-X-XX-XX-X-V-XX	MPT-04-06.30-V-16	37.44 [1.474]	24.89 [0.980]	26.77 [1.054]	32.51 [1.280]	3
MPTC-01-24-01-X-XX-XX-X-V-XX	MPT-02-06.30-V-24	31.45 [1.238]	18.91 [0.744]	20.79 [0.819]	26.52 [1.044]	5
MPTC-02-24-02-X-XX-XX-X-V-XX	MPT-04-06.30-V-24	41.45 [1.632]	28.91 [1.138]	30.79 [1.212]	36.52 [1.438]	5
MPTC-01-36-01-X-XX-XX-X-V-XX	MPT-02-06.30-V-36	37.44 [1.474]	24.89 [0.980]	26.77 [1.054]	32.51 [1.280]	8
MPTC-02-36-02-X-XX-XX-X-V-XX	MPT-04-06.30-V-36	47.44 [1.868]	34.89 [1.374]	36.77 [1.448]	42.51 [1.674]	8
MPTC-01-48-01-X-XX-XX-X-V-XX	MPT-02-06.30-V-48	43.44 [1.710]	30.89 [1.216]	32.77 [1.290]	38.51 [1.516]	11
MPTC-02-48-02-X-XX-XX-X-V-XX	MPT-04-06.30-V-48	53.44 [2.104]	40.89 [1.610]	42.77 [1.684]	48.51 [1.910]	11
MPTC-01-80-01-X-XX-XX-X-V-XX	MPT-02-06.30-V-80	59.44 [2.340]	46.89 [1.846]	48.77 [1.920]	54.51 [2.146]	19
MPTC-02-80-02-X-XX-XX-X-V-XX	MPT-04-06.30-V-80	69.44 [2.734]	56.89 [2.240]	58.77 [2.314]	64.51 [2.540]	19
***MPTC-03-12-00-X-XX-XX-X-V-XX	MPT-03-06.30-V-12-PS	31.44 [1.238]	N/A	N/A	26.51 [1.044]	2
***MPTC-04-12-00-X-XX-XX-X-V-XX	MPT-04-06.30-V-12-PS	36.44 [1.435]	N/A	N/A	31.51 [1.241]	2
***MPTC-03-16-00-X-XX-XX-X-V-XX	MPT-03-06.30-V-16-PS	33.44 [1.317]	N/A	N/A	28.51 [1.122]	3
***MPTC-04-16-00-X-XX-XX-X-V-XX	MPT-04-06.30-V-16-PS	38.44 [1.513]	N/A	N/A	33.51 [1.319]	3
***MPTC-03-20-00-X-XX-XX-X-V-XX	MPT-03-06.30-V-20-PS	35.44 [1.395]	N/A	N/A	30.51 [1.201]	4
***MPTC-04-20-00-X-XX-XX-X-V-XX	MPT-04-06.30-V-20-PS	40.44 [1.592]	N/A	N/A	35.51 [1.398]	4
***MPTC-03-24-00-X-XX-XX-X-V-XX	MPT-03-06.30-V-24-PS	37.44 [1.474]	N/A	N/A	32.51 [1.280]	5
***MPTC-04-24-00-X-XX-XX-X-V-XX	MPT-04-06.30-V-24-PS	42.44 [1.671]	N/A	N/A	37.51 [1.477]	5

*** = NOT RELEASED

PLATING	POWER PIN CONTACT AREA	POWER PIN TAIL	SIGNAL PIN CONTACT AREA	SIGNAL PIN TAIL
-L	LIGHT GOLD	MATTE TIN	LIGHT GOLD	MATTE TIN
-T	MATTE TIN	MATTE TIN	LIGHT GOLD	MATTE TIN

PROPRIETARY NOTE
THIS DOCUMENT CONTAINS INFORMATION
CONFIDENTIAL AND PROPRIETARY TO
SAMTEC, INC. AND SHALL NOT BE REPRODUCED
OR TRANSFERRED TO OTHER DOCUMENTS OR
DISCLOSED TO OTHERS OR USED FOR ANY
PURPOSE OTHER THAN THAT WHICH IT WAS
OBTAINED WITHOUT THE EXPRESSED WRITTEN
CONSENT OF SAMTEC, INC.

DO NOT SCALE DRAWING

SHEET SCALE: 1.5:1



520 PARK EAST BLVD, NEW ALBANY, IN 47150
PHONE: 812-944-6733 FAX: 812-948-5047
e-Mail: info@SAMTEC.com code: 55322

DESCRIPTION:
VERTICAL POWER TERMINAL

DWG. NO.
MPTC-XX-XX-XX-6.30-XX-X-V-XX

BY: CLAY W 2/2/2007 SHEET 2 OF 3

FIG. 4
MPTC-01-24-01-6.30-01-X-V-LC SHOWN
(SAME AS FIG. 1, UNLESS OTHERWISE STATED)

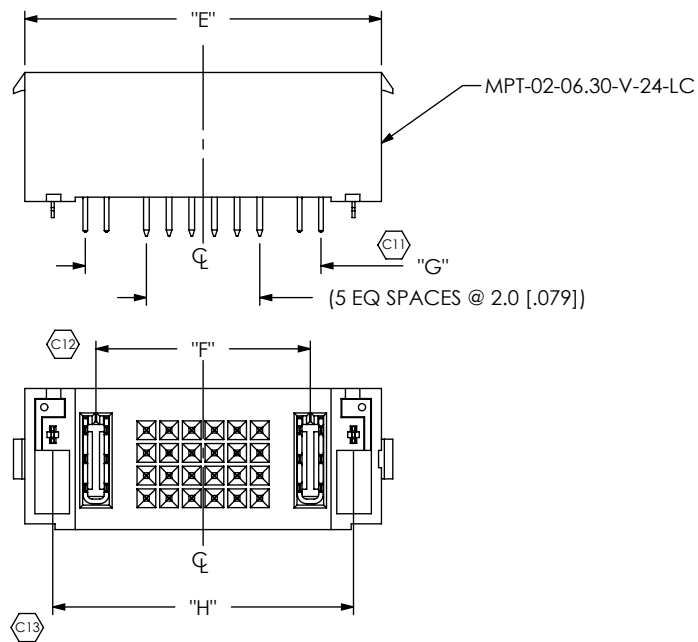


FIG. 5
MPTC-02-24-02-6.30-01-X-V-LC SHOWN
(SAME AS FIG. 1, UNLESS OTHERWISE STATED)

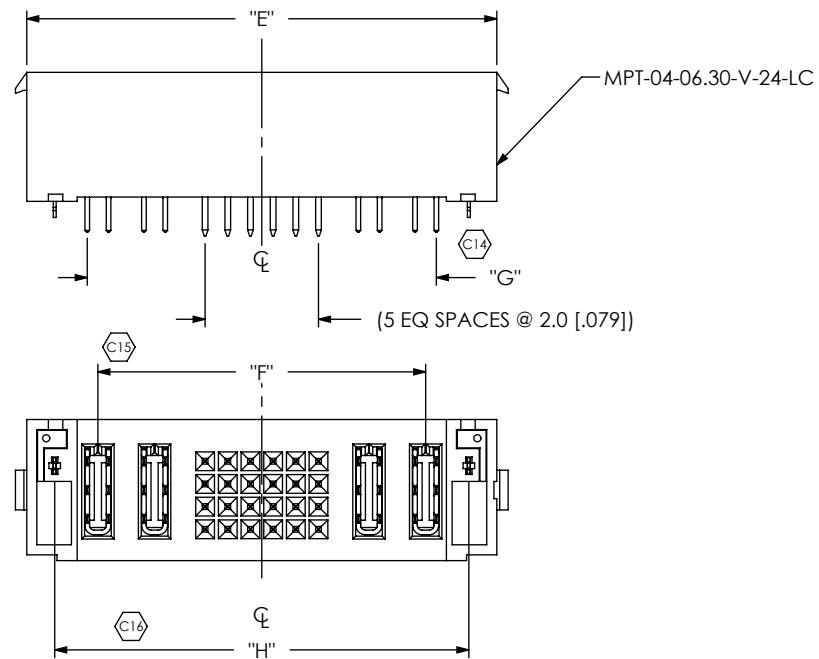
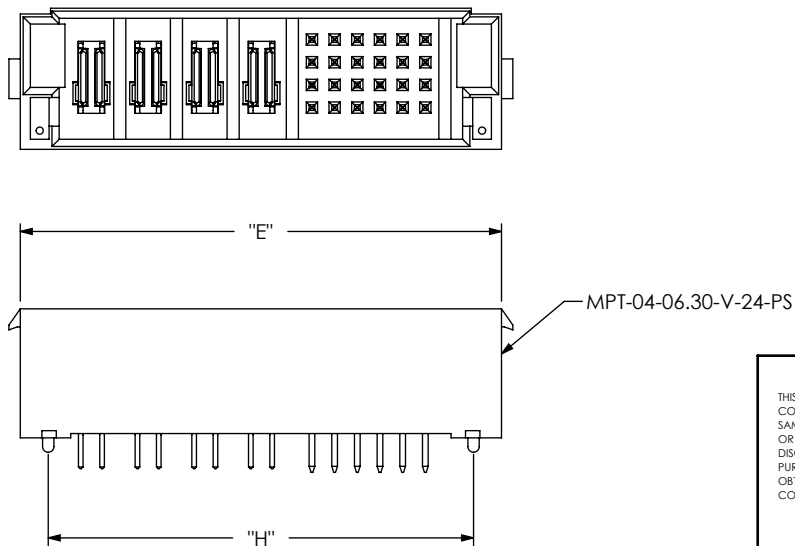


FIG. 6
MPTC-04-24-00-6.30-01-X-V SHOWN
(SAME AS FIG. 1, UNLESS OTHERWISE STATED)



PROPRIETARY NOTE
THIS DOCUMENT CONTAINS INFORMATION CONFIDENTIAL AND PROPRIETARY TO SAMTEC, INC. AND SHALL NOT BE REPRODUCED OR TRANSFERRED TO OTHER DOCUMENTS OR DISCLOSED TO OTHERS OR USED FOR ANY PURPOSE OTHER THAN THAT WHICH IT WAS OBTAINED WITHOUT THE EXPRESSED WRITTEN CONSENT OF SAMTEC, INC.

DO NOT SCALE DRAWING

SHEET SCALE: 1.5:1



520 PARK EAST BLVD, NEW ALBANY, IN 47150
PHONE: 812-944-6733 FAX: 812-948-5047
e-Mail: info@SAMTEC.com code: 55322

DESCRIPTION: VERTICAL POWER TERMINAL

DWG. NO. MPTC-XX-XX-XX-6.30-XX-X-V-XX

BY: CLAY W 2/2/2007 SHEET 3 OF 3