

High Voltage, Fast Recovery Medium Current Rectifier H1601 Series

Platinum Doped
Uniform Chip-to-Chip Recovery
High Voltage
Medium Current
Fast t_r

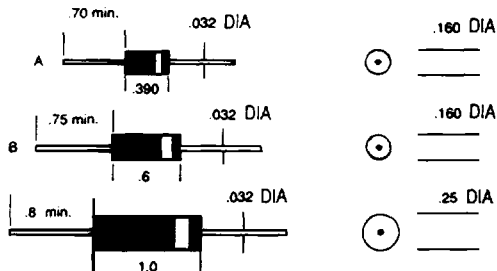
MAXIMUM RATINGS (At $T_A = 25^\circ\text{C}$ unless otherwise noted)

MQSI Part No.	Package Style	Repetitive Peak Reverse Voltage V_{RRM}	Average Forward Current (Fig. 1) $I_{F(AV)}$	RMS Forward Current $I_{F(RMS)}$	Non-Repetitive Peak Surge Current 1/2 Cycle @ 60 Hz I_{FSM}	Forward Voltage @ $I_F = 100\text{mA}$ V_F
H1601-1	A	1.0KV	400mA	625mA	35A	4V
H1601-1.5	A	1.5KV	400mA	625mA	35A	4V
H1601-2	A	2.0KV	250mA	390mA	30A	7V
H1601-3	A	3.0KV	250mA	390mA	30A	7V
H1601-4	A	4.0KV	170mA	265mA	25A	10V
H1601-5	A	5.0KV	170mA	265mA	25A	10V
H1601-6	B	6.0KV	130mA	200mA	20A	16V
H1601-8	B	8.0KV	130mA	200mA	20A	16V
H1601-10	B	10.0KV	100mA	155mA	15A	20V
H1601-12	B	12.0KV	100mA	155mA	15A	20V
H1601-15	C	15.0KV	70mA	110mA	10A	30V
H1601-18	C	18.0KV	70mA	110mA	10A	30V

ELECTRICAL CHARACTERISTICS (At $T_A = 25^\circ\text{C}$ unless otherwise noted)

	SYMBOL		UNITS
Maximum DC Reverse current at rated V_{RRM}	I_R	1	μA
Maximum DC Reverse Current at 80% rated V_{RRM} 100°C	I_R	10	μA
Maximum Reverse Recovery Time At $I_F = 50\text{mA}$, $I_R = 100\text{mA}$, and $I_{RR} = -25\text{mA}$ (Fig. 2)	t_r	250	nsec
Ambient Operating Temperature	T_A	- 55 to + 125	$^\circ\text{C}$
Storage Temperature Range	T_{STG}	- 55 to + 150	$^\circ\text{C}$

DIMENSIONS IN INCHES



The rectifier as packaged can be tested in air (25°C , < 55% RH) at rated V_{RRM} . However, in a dusty or humid environment, the rectifier should be overmolded or operated in oil or a gaseous dielectric to prevent corona or arcing. Dimensional tolerances in inches .X \pm .10", .XX \pm .02", .XXX \pm .005".

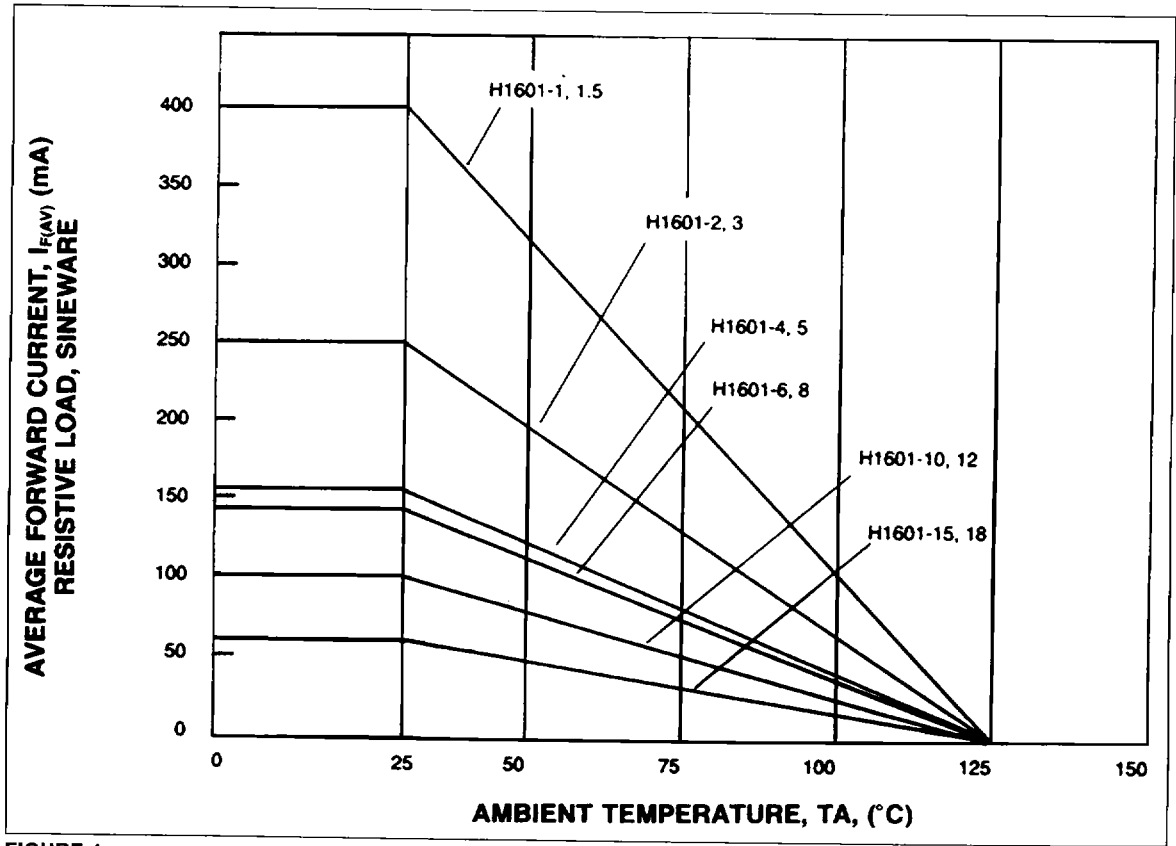


FIGURE 1

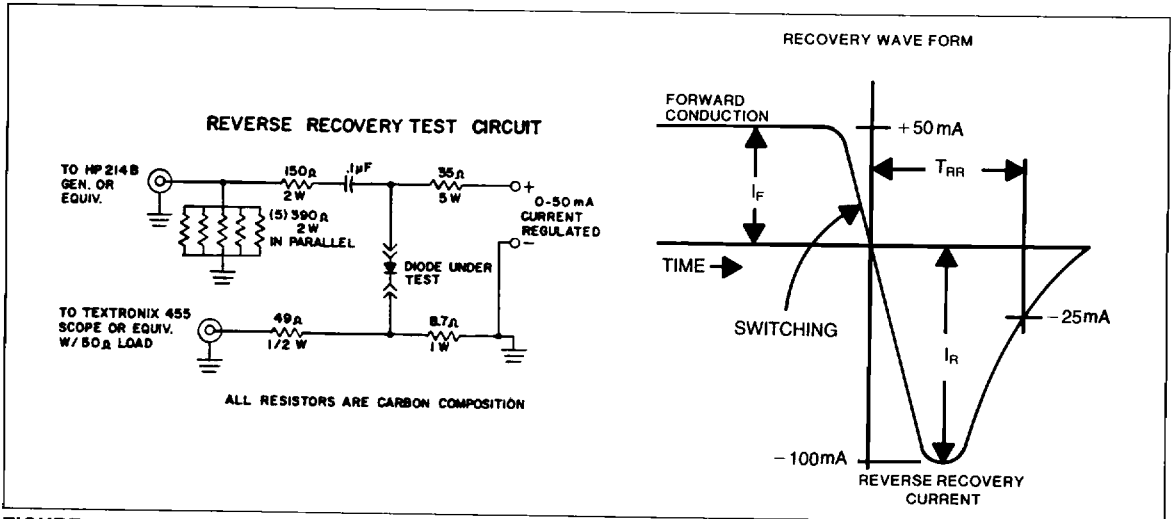


FIGURE 2