

Fig. 1

- Series 4XX sockets are available with straight and right angle solder tails.
- Series 450 & 499...009 use MM# 3404 & 5011/5113 pins respectively. (See pages 170 & 172 for details)
- Series 410 & 499...003 use MM# 1001 & 1103/1602 pins respectively. (See pages 134-136 for details)
- Hi-Temp thermoplastic insulator available upon request.



Ordering Information

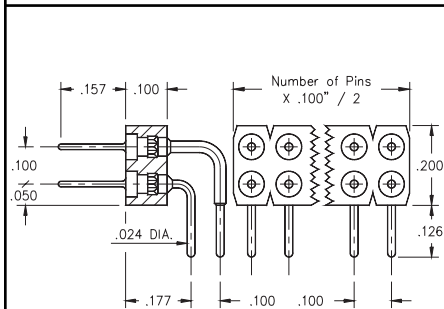


Fig. 2

Fig. 1

Series 450...006 Straight Pin Header

450-XX-2__-00-006
 Specify # of pins ↳ 02-64

Fig. 2

Series 499...009 Right Angle Pin Header

499-XX-2__-10-009
 Specify # of pins ↳ 02-64

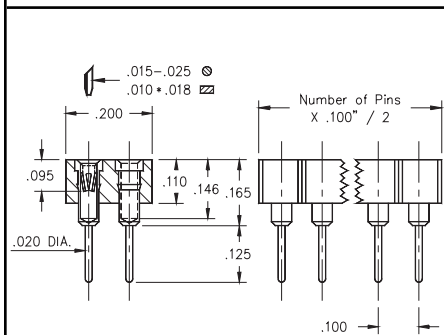


Fig. 3

*XX= Plating Code
See Below*

SPECIFY PLATING CODE XX=	10	90		
Pin Plating	10µ" Au	200µ" Sn/Pb		

Fig. 3

Series 410...001 Straight Socket

410-XX-2__-41-001
 Specify # of pins ↳ 02-64

Fig. 4

Series 499...003 Right Angle Socket

499-XX-2__-10-003
 Specify # of pins ↳ 02-64

*XX= Plating Code
See Below*

SPECIFY PLATING CODE XX=	13	93		
Sleeve (Pin)	10µ" Au	200µ" Sn/Pb		
Contact (Clip)	30µ" Au	30µ" Au		