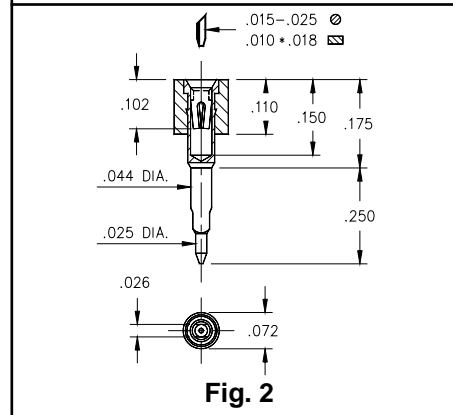


- Unique compliant tail pins conform to the plated thru-hole without stressing the inner layers of a multilayer board.
- Recommended plated thru-hole for 304 series: .036"-.041" use a 1.1mm drill prior to plating. Using M-M# 0477 & 0478 pins.
- For 346 series: .040"±.003" finished plated thru-hole. using M-M# 4612 & 4613 pins. Patent No. 4,799,904.
- Hi-Rel, 4-finger BeCu #30 clip rated at 3 amps. See page 208 for details.

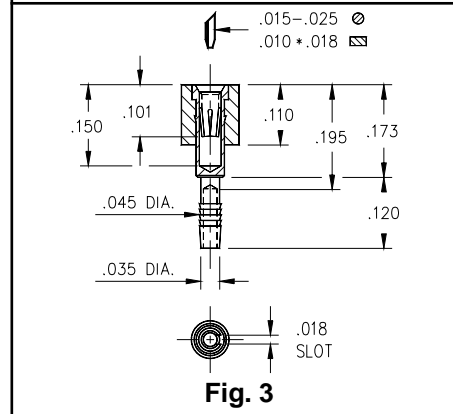


Ordering Information

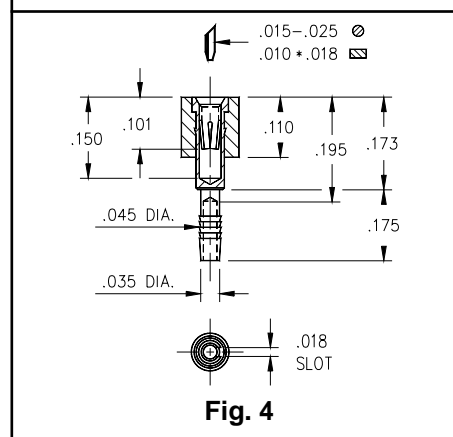


Series 304...770		SOLDERLESS PRESS-FIT	
(For .062" Thick Boards)			
Fig. 1	304-13-1__-41-770		
	Specify # of pins	└───> 01-64	
Series 304...780		SOLDERLESS PRESS-FIT	
(For .125" Thick Boards)			
Fig. 2	304-13-1__-41-780		
	Specify # of pins	└───> 01-64	

Series 304...770 and 304...780 are available in plating code 13 only.



Series 346...012		COMPLIANT SOLDERLESS PRESS-FIT	
(For .060-.100" Thick Boards)			
Fig. 3	346-XX-1__-41-012		
	Specify # of pins	└───> 01-64	



Series 346...013		COMPLIANT SOLDERLESS PRESS-FIT	
(For .090-.130" Thick Boards)			
Fig. 4	346-XX-1__-41-013		
	Specify # of pins	└───> 01-64	

*XX= Plating Code
See Below*

SPECIFY PLATING CODE XX=	13		93	99
Sleeve (Pin)		10µ" Au	200µ" Sn/Pb	200µ" Sn/Pb
Contact (Clip)		30µ" Au	30µ" Au	200µ" Sn/Pb