



## RC2000C-T Series

Common Mode Reactor

Single phase 2 lines/Width type



### Application

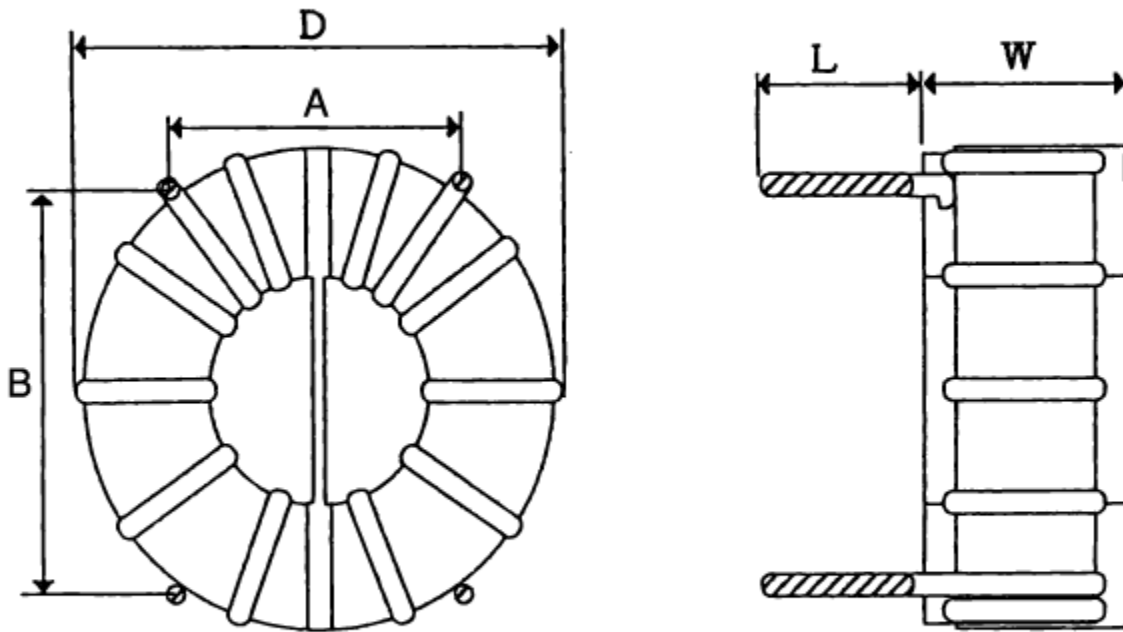
Noise suppression for Switching power supply/Inverter

### Specifications

RC2000C-TA Series									
Parts No.	Rated Voltage[VAC]	Rated Current[A]	Inductance[mH typ]	Resistance[m ohm max]	Dimension[mm]				
					D	W	L	A	
RC2003C-TA	250	3	1	70	25	20	15	10	
RC2005C-TA		5	1	50	25	20	15	10	
RC2010C-TA		10	1	30	37	25	15	22	
RC2015C-TA		15	1	20	37	25	15	18	
RC2020C-TA		20	1	10	50	30	15	35	
RC2030C-TA		30	1	7	62	37	15	40	
RC2000C-TB Series									
Parts No.	Rated Voltage[VAC]	Rated Current[A]	Inductance[mH typ]	Resistance[m ohm max]	Dimension[mm]				
					D	W	L	A	
RC2003C-TB	250	3	2	80	25	20	15	10	
RC2005C-TB		5	2	70	37	25	15	22	
RC2010C-TB		10	2	40	37	25	15	22	
RC2015C-TB		15	2	12	51	34	15	26	
RC2020C-TB		20	2	10	62	37	15	40	
RC2030C-TB		30	2	7	75	45	15	45	
RC2000C-TC Series									
Parts No.	Rated Voltage[VAC]	Rated Current[A]	Inductance[mH typ]	Resistance[m ohm max]	Dimension[mm]				
					D	W	L	A	
RC2003C-TC	250	3	3	90	25	20	15	10	
RC2005C-TC		5	3	70	37	25	15	22	
RC2010C-TC		10	3	30	51	34	15	26	
RC2015C-TC		15	3	15	62	37	15	40	

RC2000C-TD Series								
Parts No.	Rated Voltage[VAC]	Rated Current[A]	Inductance[mH typ]	Resistance[m ohm max]	Dimension[mm]			
					D	W	L	A
RC2005C-TD	250	5	5	80	37	25	15	22
RC2010C-TD		10	5	20	62	37	15	40

Fig



► Pro