

# COAXIAL & WAVEGUIDE SWITCHES

**SMA - SMB - SMC SPDT up to 2 GHz**

MINIATURE COAXIAL SWITCHES :

## R555

### CONNECTOR RF

- 1 : SMB
- 2 : SMC
- 4 : SMA
- x : Other <sup>(1)</sup>

### OPTIONS

- 000 : No option
- 129 : With TTL driver
- xxx : Other <sup>(1)</sup>

### TYPE

- 1 : Failsafe
- 2 : Failsafe with Indicator Contact
- 3 : Latching
- 4 : Latching with Indicator Contact
- 5 : Latching with Cut-Off
- 6 : Latching with Indicator Contact and Cut-Off
- x : Other <sup>(1)</sup>

### ACTUATOR VOLTAGE

- 2 : 12 Vdc
- 3 : 28 Vdc
- x : Other <sup>(1)</sup>

<sup>(1)</sup> x or xxx Dash number denotes special customer requirements

## GENERAL SPECIFICATIONS :

### RF PERFORMANCE

Frequency range (GHz)	DC - 2	
	DC - 1	1 - 2
V.S.W.R.	≤ 1.15	≤ 1.20
Insertion loss (dB)	≤ 0.15	≤ 0.20
Isolation (dB)	≥ 90	≥ 80
Impedance (Ω)	50	
Switching sequence	Break Before Make	

### ADDITIONAL SPECIFICATIONS

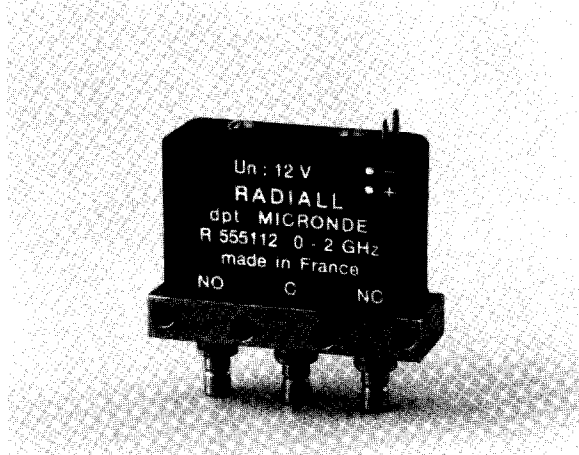
Operating mode	Failsafe or Latching	
Actuator voltage (nominal) (Vdc)	12	28
Coil resistance (± 10%) (Ω)	90	520
Operating current at 23°C (mA)	133	55
Average power	See Power Rating Chart page 9	
Peak power (kW)	5 (1 μs, 1°/∞)	
Switching time (ms)	20	
Indicator rating	1 W - 30 V - 100 mA	
Life	10 <sup>6</sup> Operations	
Connectors	SMA - SMB - SMC	
Actuator and Indicator terminals	Solder pins	
Weight (g)	Without option : 35	With all options : 45

Items in this catalog covered by French and Foreign Patents and/or Patents Pending : US Patent n° 4 496 919  
EUR Patent n° 0087 372

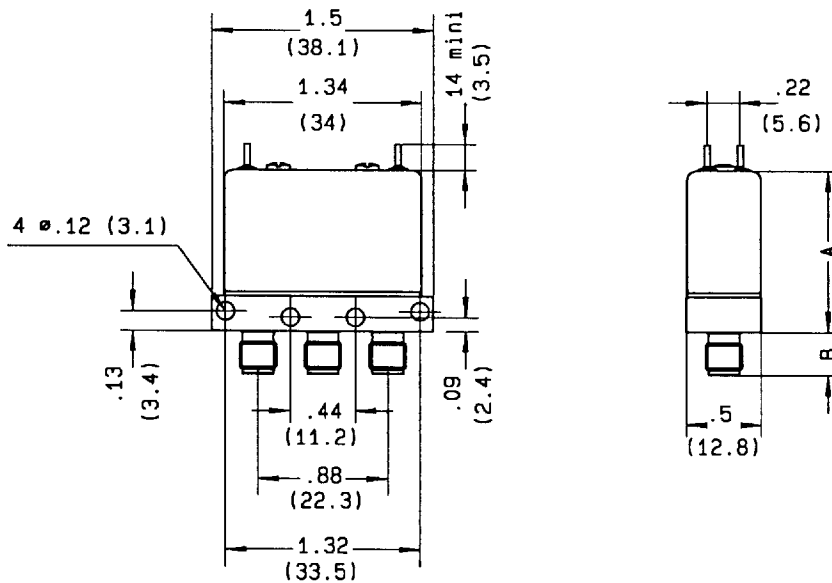
# COAXIAL & WAVEGUIDE SWITCHES

SMA - SMB - SMC SPDT up to 2 GHz

MINIATURE COAXIAL SWITCHES :



TYPICAL OUTLINE DRAWING



	A max inch (mm)
Without option	1.12" (28.5)
With all options	1.50" (38)

	B max inch (mm)
SMA	.30" (7.7)
SMB / SMC	.36" (9.1)

# COAXIAL & WAVEGUIDE SWITCHES

1.6/5.6 SPDT up to 1 GHz

MINIATURE COAXIAL SWITCHES :

R555 9 . . . . .

### OPTIONS

- 000 : No option
- 129 : With TTL Driver
- xxx : Other <sup>(1)</sup>

### TYPE

- 1 : Failsafe
- 2 : Failsafe with Indicator Contact
- 3 : Latching
- 4 : Latching with Indicator Contact
- 5 : Latching with Cut-Off
- 6 : Latching with Indicator Contact and Cut-Off
- x : Other <sup>(1)</sup>

### ACTUATOR VOLTAGE

- 2 : 12 Vdc
- 3 : 28 Vdc
- x : Other <sup>(1)</sup>

<sup>(1)</sup> x or xxx Dash number denotes special customer requirements

## GENERAL SPECIFICATIONS :

### RF PERFORMANCE

Frequency range (GHz)	DC - 1	
	DC - 0.5	0.5 - 1
V.S.W.R.	≤ 1.25	≤ 1.30
Insertion loss (dB)	≤ 0.15	≤ 0.20
Isolation (dB)	≥ 90	≥ 80
Impedance (Ω)	75	
Switching sequence	Break Before Make	

### ADDITIONAL SPECIFICATIONS

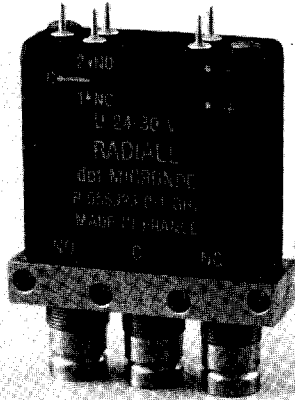
Operating mode	Failsafe or Latching	
Actuator voltage (nominal) (Vdc)	12	28
Coil resistance (± 10%) (Ω)	90	520
Operating current at 23°C (mA)	133	55
Average power	See Power Rating Chart page 9	
Peak power (kW)	5 (1 μs, 1°/oo)	
Switching time (ms)	20	
Indicator rating	1 W - 30 V - 100 mA	
Life	10 <sup>6</sup> Operations	
Connectors	1.6/5.6 In accordance with DIN 47295.	
Actuator and Indicator terminals	Solder pins	
Weight (g)	Without option : 35	With all options : 45

Items in this catalog covered by French and Foreign Patents and/or Patents Pending : US Patent n°4 496 919  
EUR Patent n°0087 372

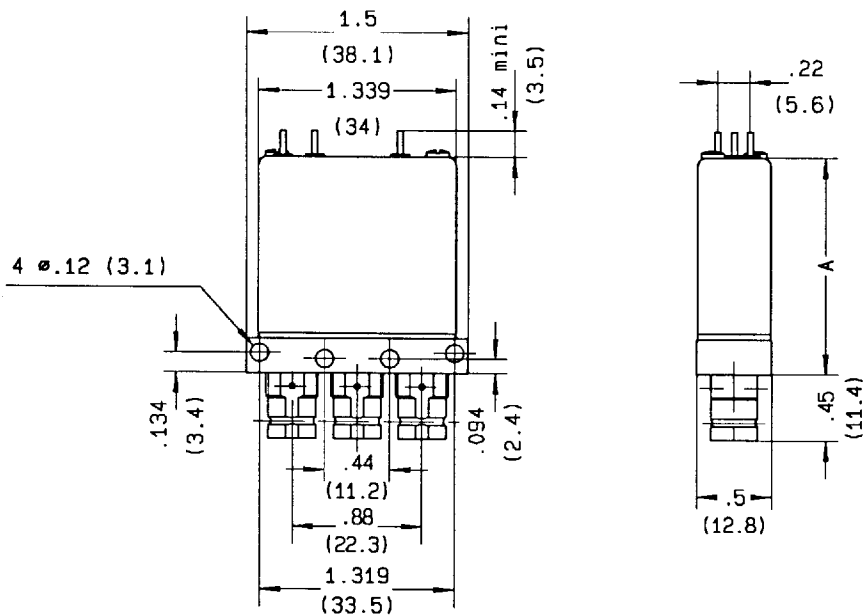
# COAXIAL & WAVEGUIDE SWITCHES

1.6/5.6 SPDT up to 1 GHz

MINIATURE COAXIAL SWITCHES :



TYPICAL OUTLINE DRAWING



	A max inch (mm)
Without option	1.12" (28.5)
With all options	1.50" (38)

# COAXIAL & WAVEGUIDE SWITCHES

## SMA - SMA 2.9 SPDT up to 40 GHz

### MINIATURE COAXIAL SWITCHES :

# R565

#### CONNECTOR RF

- 4 : SMA 18 GHz
- 5 : SMA 2.9 - 26.5 GHz
- 7 : SMA 2.9 - 40 GHz
- x : Other<sup>(1)</sup>

#### OPTIONS

- 000 : No option
- 129 : With TTL driver
- xxx : Other<sup>(1)</sup>

#### TYPE

- 1 : Failsafe
- 2 : Failsafe with Indicator Contact
- 3 : Latching
- 4 : Latching with Indicator Contact
- 5 : Latching with Cut-Off
- 6 : Latching with Indicator Contact and Cut-Off
- x : Other<sup>(1)</sup>

#### ACTUATOR VOLTAGE

- 2 : 12 Vdc
- 3 : 28 Vdc
- x : Other<sup>(1)</sup>

<sup>(1)</sup> x or xxx Dash number denotes special customer requirements

### GENERAL SPECIFICATIONS :

#### RF PERFORMANCE

Frequency range (GHz)	DC - 18 / DC - 26.5				DC - 40	
	DC - 6	6 - 12	12 - 18	18 - 26.5	DC - 18	18 - 40
V.S.W.R.	≤ 1.25	≤ 1.40	≤ 1.50	≤ 1.60	≤ 1.50	≤ 1.90
Insertion loss (dB)	≤ 0.20	≤ 0.40	≤ 0.50	≤ 0.70	≤ 0.50	≤ 1.0
Isolation (dB)	≥ 70	≥ 60	≥ 60	≥ 50	≥ 60	≥ 50
Impedance (Ω)	50					
Switching sequence	Break Before Make					

#### ADDITIONAL SPECIFICATIONS

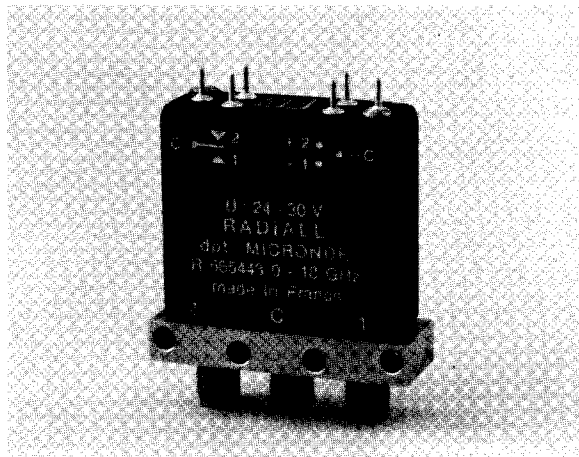
Operating mode	Failsafe or Latching	
Actuator voltage (nominal) (Vdc)	12	28
Coil resistance (± 10%) (Ω)	90	520
Operating current at 23°C (mA)	133	55
Average power	See Power Rating Chart page 9	
Peak power (kW)	5 (1 μs, 1°/∞)	
Switching time (ms)	20	
Indicator rating	1 W - 30 V - 100 mA	
Life	10 <sup>6</sup> Operations	
Connectors	SMA - SMA 2.9	
Actuator and Indicator terminals	Solder pins	
Weight (g)	Without option : 35	With all options : 45

Items in this catalog covered by French and Foreign Patents and/or Patents Pending : US Patent n°4 496 919  
EUR Patent n°0087 372

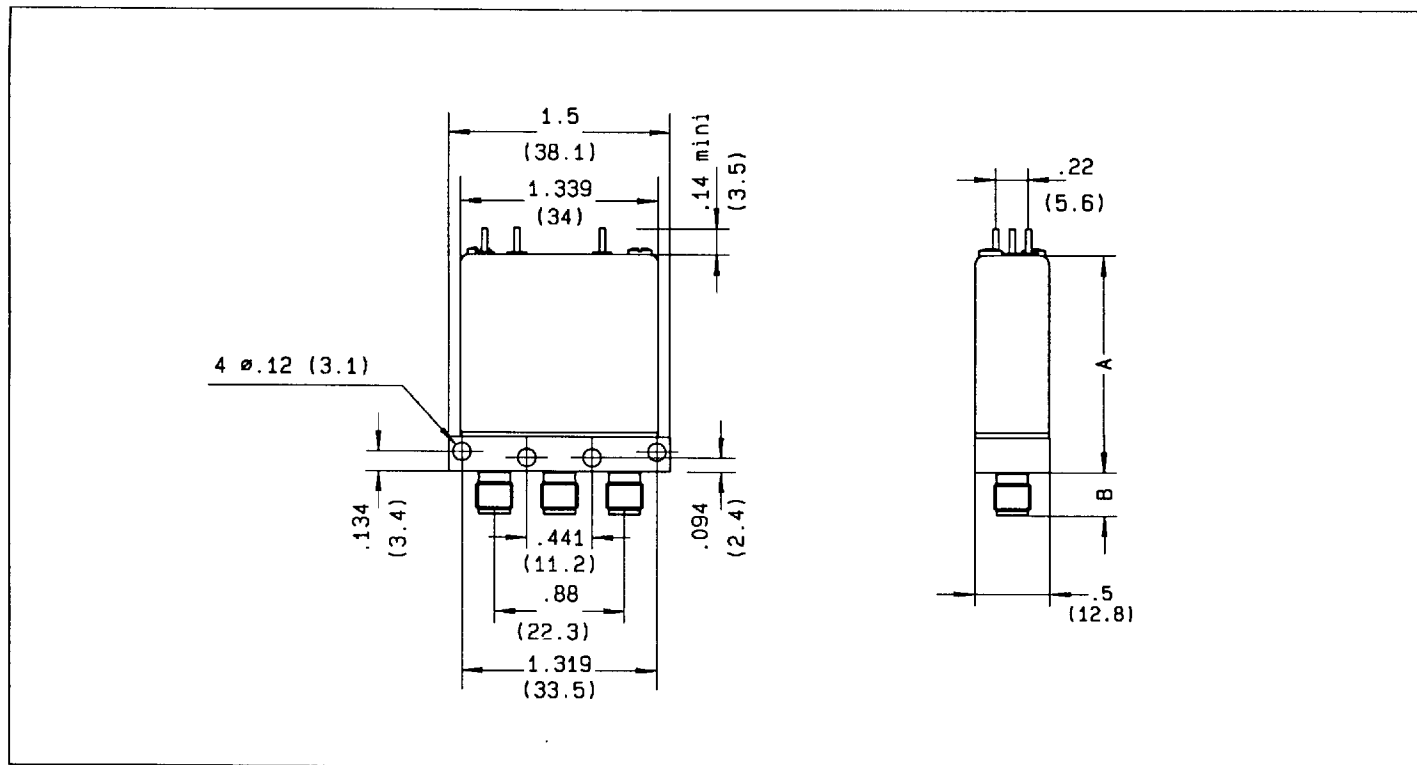
# COAXIAL & WAVEGUIDE SWITCHES

## SMA - SMA 2.9 SPDT up to 40 GHz

### MINIATURE COAXIAL SWITCHES :



### TYPICAL OUTLINE DRAWING



	A max inch (mm)
Without option	1.12" (28.5)
With all options	1.50" (38)

	B max inch (mm)
SMA	.30" (7.7)
SMA 2.9	.25" (6.4)

# COAXIAL & WAVEGUIDE SWITCHES

**BNC 50 Ω - BNC 75 Ω SPDT up to 1 GHz**

STANDARD COAXIAL SWITCHES :

## R561

### CONNECTOR RF

- 4 : BNC 50 Ω
- 7 : BNC 75 Ω

### OPTIONS

- 000 : No option
- 120 : With Indicator Contact
- xxx : Other <sup>(1)</sup>

### TYPE

- 0 : Open Circuit Version (for 50 Ω)
- 1 : Short Circuit Version (for 50 Ω)
- 2 : Terminated Circuit Version (for 50 Ω)
- 5 : Open Circuit Version (for 75 Ω)
- 6 : Short Circuit Version (for 75 Ω)
- 7 : Terminated Circuit Version (for 75 Ω)
- x : Other <sup>(1)</sup>

### ACTUATOR VOLTAGE

- 2 : 12 Vdc
- 3 : 28 Vdc
- x : Other <sup>(1)</sup>

<sup>(1)</sup> x or xxx Dash number denotes special customer requirements

## GENERAL SPECIFICATIONS :

### RF PERFORMANCE

Frequency range (GHz)	DC - 1	
	BNC 50 Ω	BNC 75 Ω
V.S.W.R.	≤ 1.10	≤ 1.30
Insertion loss (dB)	≤ 0.20	≤ 0.50
Isolation (dB) . Open circuit version Short circuit version Terminated circuit version	26	
	40	25
	32	30
Impedance (Ω)	50 or 75	
Switching sequence	Break Before Make	

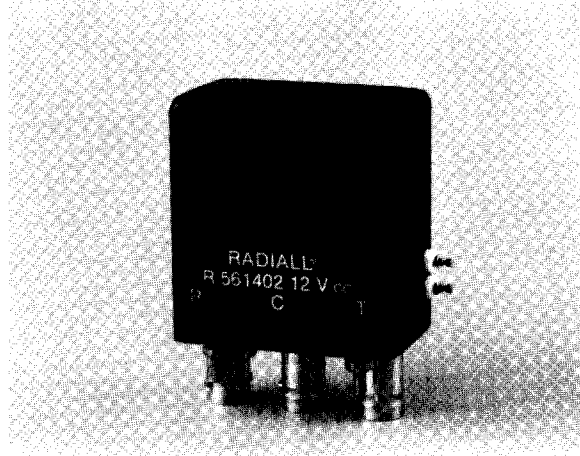
### ADDITIONAL SPECIFICATIONS

Operating mode	Failsafe or Latching	
Actuator voltage (nominal) (Vdc)	12	28
Coil resistance (± 10%) (Ω)	52	254
Operating current at 23°C (mA)	230	110
Average power	See Power Rating Chart page 9	
Peak power (kW)	5 (1 μs, 1°/∞)	
Switching time (ms)	20	
Indicator rating	2.5 W - 24 V - 100 mA	
Life	5 10 <sup>5</sup> Operations	
Connectors	BNC 50 Ω - BNC 75 Ω	
Actuator and Indicator terminals	Solder pins	
Weight (g)	200	

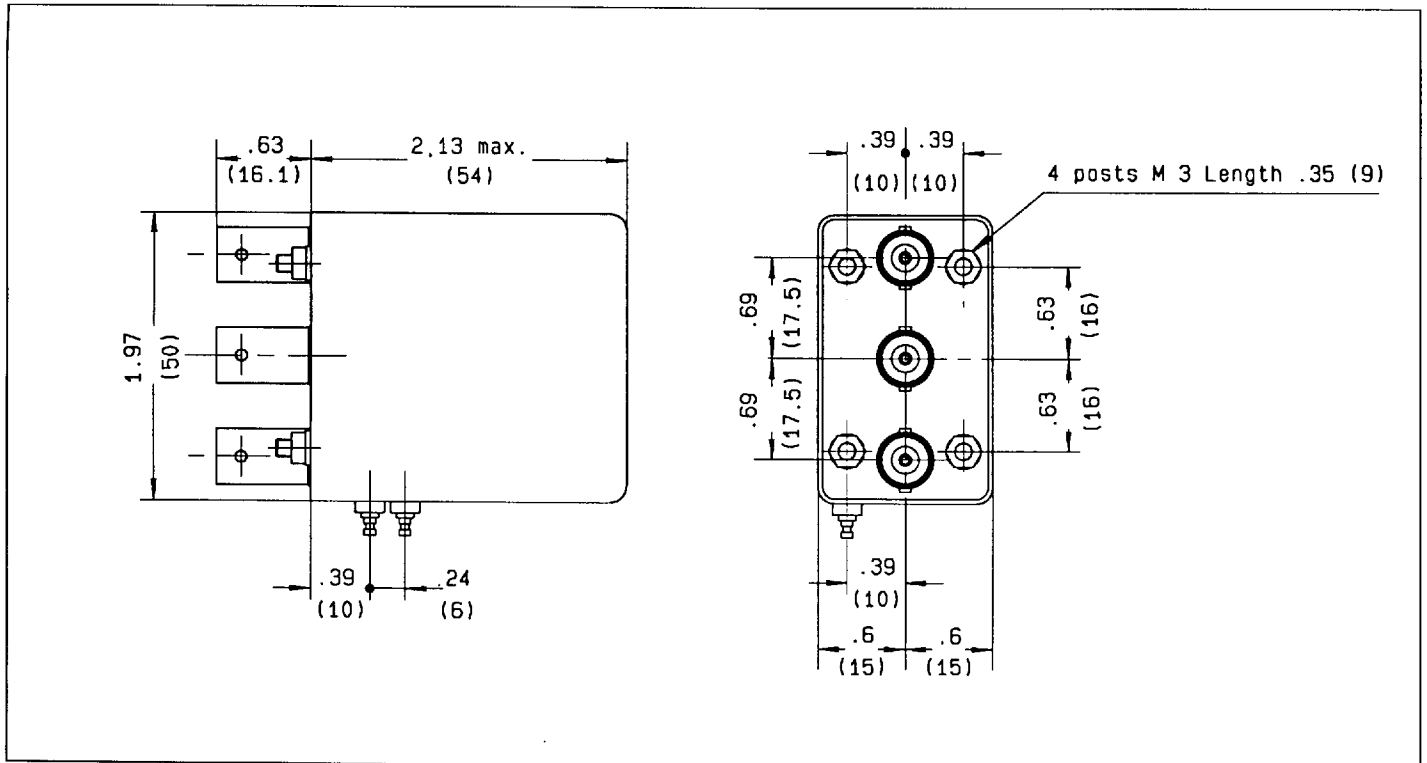
# COAXIAL & WAVEGUIDE SWITCHES

BNC 50  $\Omega$  - BNC 75  $\Omega$  SPDT up to 1 GHz

STANDARD COAXIAL SWITCHES :



TYPICAL OUTLINE DRAWING





# COAXIAL & WAVEGUIDE SWITCHES

**N** SPDT up to 3 GHz

STANDARD COAXIAL SWITCHES :

**R562 7 . . . .**

**TYPE**

- 0 : Open Circuit Version (2)
- 1 : Short Circuit Version (2)
- 2 : Terminated Circuit Version (2)
- 3 : Open Circuit Version (3)
- 4 : Short Circuit Version (3)
- 5 : Terminated Circuit Version (3)
- x : Other (1)

**OPTIONS**

- 000 : No option
- 120 : With Indicator Contact(4)
- xxx : Other (1)

**ACTUATOR VOLTAGE**

- 2 : 12 Vdc
- 3 : 28 Vdc
- x : Other (1)

- (1) x or xxx Dash number denotes special customer requirements
- (2) With actuator and contact terminals : solder pins.
- (3) With actuator and contact terminals : multipin connector.
- (4) Available only with solder pin terminals.

**GENERAL SPECIFICATIONS :**

**RF PERFORMANCE**

Frequency range (GHz)	DC - 3		
	DC - 1	1 - 2	2 - 3
V.S.W.R.	≤ 1.15	≤ 1.20	≤ 1.30
Insertion loss (dB)	≤ 0.20		
Isolation (dB)	Open circuit version	18	16
	Terminated version	22	19
	Short circuit version	30	27
Impedance (Ω)	50		
Switching sequence	Break Before Make		

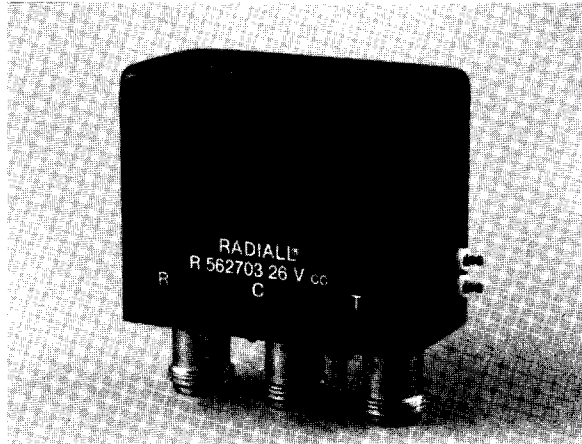
**ADDITIONAL SPECIFICATIONS**

Operating mode	Failsafe not polarized	
Actuator voltage (nominal) (Vdc)	12	28
Coil resistance (± 10%) (Ω)	52	254
Operating current at 23°C (mA)	230	110
Average power	See Power Rating Chart page 9	
Peak power (kW)	5 (1 μs, 1°/∞)	
Switching time (ms)	20	
Indicator rating	2.5 W - 24 V - 100 mA	
Life	5 10 <sup>5</sup> Operations	
Connectors	<b>N</b>	
Actuator and Indicator terminals	Solder pins or Multipin connector	
Weight (g)	350	

# COAXIAL & WAVEGUIDE SWITCHES

N SPDT up to 3 GHz

STANDARD COAXIAL SWITCHES :



TYPICAL OUTLINE DRAWING

