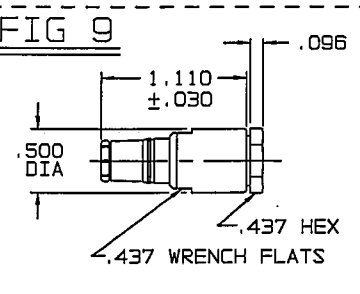
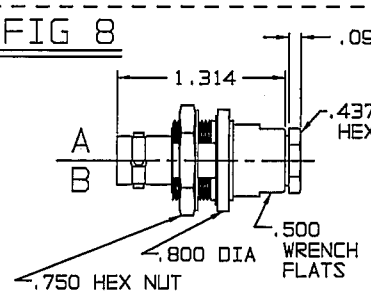
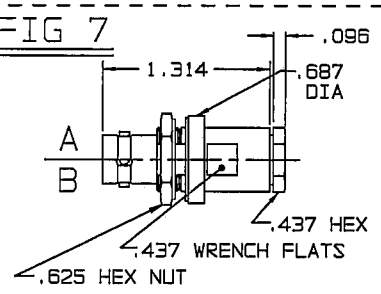
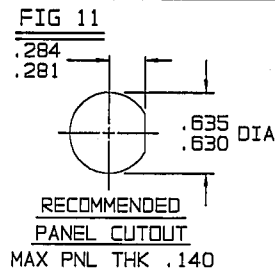
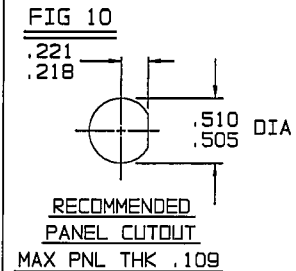
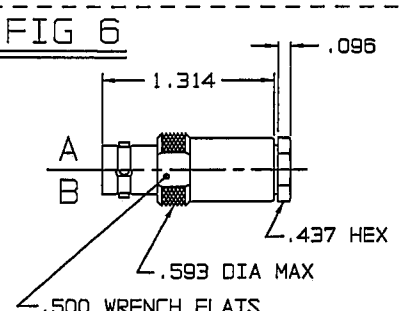
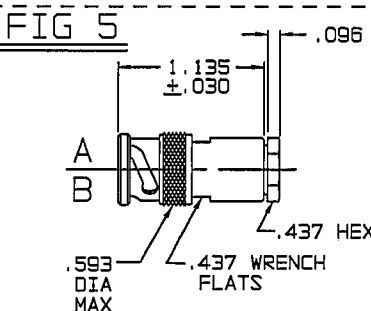
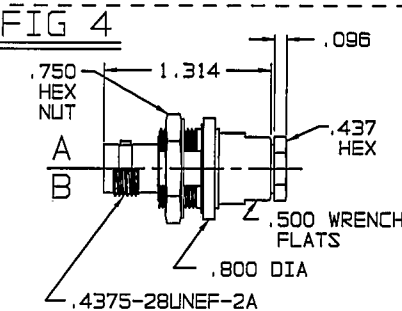
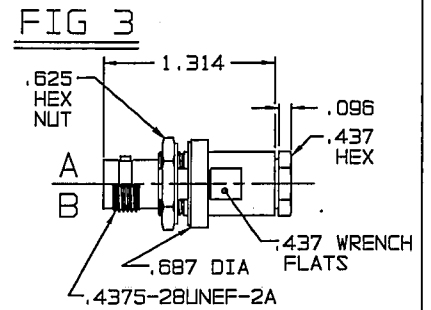
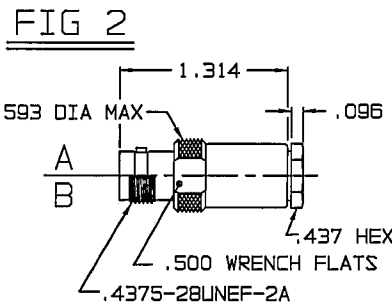
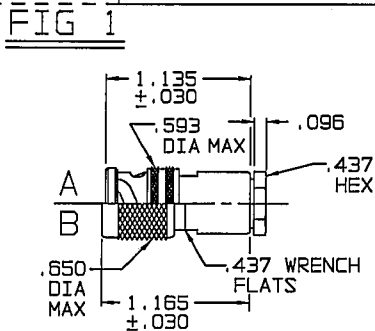


RED INDICATES ORIGINAL

DATA CONTAINED IN THIS DOCUMENT IS PROPRIETARY TO TROMPETER ELECTRONICS INC. AND SHALL NOT BE DISCLOSED, COPIED OR USED FOR PRODUCTION OR MANUFACTURE WITHOUT EXPRESS WRITTEN PERMISSION.

REVISIONS			305-1353		SH
REV	EO	DESCRIPTION	DWN	APPROVED	DATE
A		PRODUCTION RELEASE	R L		

DASH NO	CONNECTOR TYPE	MATERIAL ⁴	ASSEMBLE PER	FIG	MTG HOLE FIG
-1	PL75	310-0002-9	TAI-189	1A	—
-2	CJ70	3-0043-9		2A	—
-3	BJ79	3-0018-9		3A	10
-4	BJ74	3-0055-9		4A	11
-5(S)	PL375(S)	315-0011-9		1B	—
-6(S)	CJ370(S)	3-0066-9		2B	—
-7(S)	BJ379(S)	3-0074-9		3B	10
-8(S)	BJ374(S)	3-0073-9		4B	11
-9	PL74	310-0025-9		5A	—
-10	CJ70TL	3-0217-9		6A	—
-11	BJ79TL	3-0112-9		7A	10
-12	BJ74TL	3-0105-9		8A	11
-13	PL75FL	310-0006-9		5B	—
-14	CJ70FL	3-0101-9		6B	—
-15	BJ79FL	3-0052-9		7B	10
-16	BJ74FL	3-0099-9		8B	11
-17	PL73	310-0038-9		9	—



5 EXAMPLE OF COMPLETE P/N:
305-XXXX-1 T S

BASIC PART NO. CONNECTOR TYPE DASH NO. | OPTIONAL SAFETY WIRE HOLE (-5 THRU -8 ONLY) | SEE NOTE ⁴

- 4** REPLACE CLAMPNUT 8-1580-9 WITH CLAMPNUT 8-1580-33
3. CONCENTRIC TWINAX/TRIAX, 2-LUG, 3-LUG, 4-LUG AND THREADED CABLE PLUGS/RECEPTACLES, INSULATED & NONINSULATED BULKHEAD MOUNT RECEPTACLES & PUSH-ON CABLE PLUGS FOR RAYCHEM 7524D5011
2. FINISH TFS-1A (NICKEL)
1. ALL DIM ARE IN INCHES

3 POLARIZATION LETTER I.A.W MATERIAL CALL-OUT. NONE REQUIRED FOR STANDARD

QTY	DESCRIPTION	PART NUMBER	ITEM
TOL UNLESS SPECIFIED		TROMPETER ELECTRONICS, INC.	
.XX ±	.XXX ± .005		
DWN R L 8/23/99		MATERIAL	CODE IDENT
CHK <i>nm</i> 8/31/99		14949	DRAWING NO. 305-1353
ENGR			REV A
APPR <i>nm</i> 8/31/99	SCALE —	DATE 9/2/99	SHEET